

P21 specification:

ALUfast range

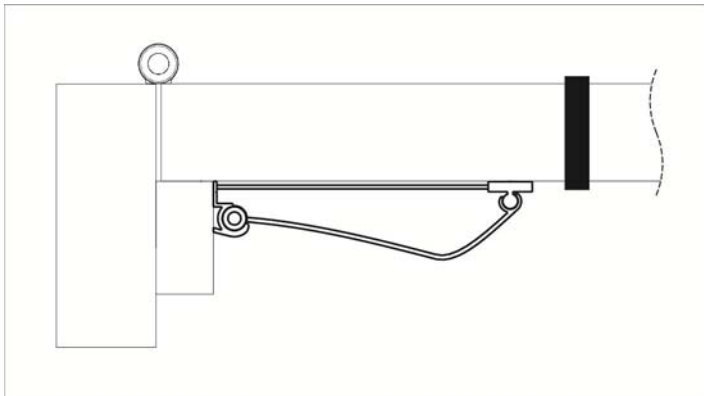
Using this document:

Simply copy and paste the descriptions into your project documentation. If you want some help choosing the right one, please call or email – contact details at www.safehinge.com.

ALUfast comes in two lengths – 1800mm and 1925mm. If you are installing the product to 2040mm doors the 1925mm option will look better as it will fill most of the visual length of the door.

Also consider the number of guiderails required. For extreme duty environments such as hospitals and special needs schools with lots of wheelchairs you will make the product tougher by installing a third guiderail.

Product options



Product Description: Rigid Aluminium Retrofit Door Finger Protection

Manufacturer: Safehinge Ltd, Level 4, Skypark 3, 14 Elliot Place, Glasgow, G3 8EP safehinge.com

Products Ref: FAST-G2-1800

ALUfast retrofit finger protection with rigid aluminium guard. 1800mm, 100 deg, SAA finish, 2x guiderails, including screw fixings.

Products Ref: FAST-G3-1800

ALUfast retrofit finger protection with rigid aluminium guard. 1800mm, 100 deg, SAA finish, 3x guiderails, including screw fixings.

Products Ref: FAST-G2-1925

ALUfast retrofit finger protection with rigid aluminium guard. 1925mm, 100 deg, SAA finish, 2x guiderails, including screw fixings.

Products Ref: FAST-G3-1925

ALUfast retrofit finger protection with rigid aluminium guard. 1925mm, 100 deg, SAA finish, 3x guiderails, including screw fixings.

To be fitted in accordance with manufacturer's instructions (available from safehinge.com).