

L20 / P21 specification:

ALUmax range

Using this document:

Simply copy and paste the descriptions for the relevant kits into your project documentation. If you want some help choosing the right one, please call or email – contact details at www.safehinge.com.

As the ALUmax range affects both ironmongery and doors it is recommended to insert this specification in both the L20 [Doors] and P21 [Ironmongery] sections of your project documentation).

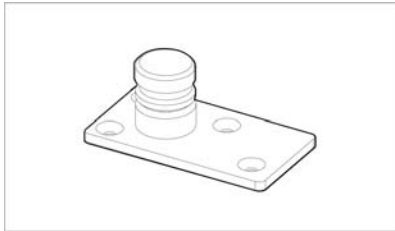
For an overview of considerations when using ALUmax, see the “At a Glance – Key Features” page of our technical manual ([on website](#)).

2.4m kits are available for tall doors – please request details at info@safehinge.com.

Product options

Floor plate kits

ALUmax kits with floor plate fixing – fix to the floor only.



Product Description: Integral aluminium finger guard for doors with adjustable (on-site) pivot set.

Manufacturer: Safehinge Ltd, Level 4, Skypark 3, 14 Elliot Place, Glasgow, G3 8EP safehinge.com

Product Ref: ALU30-100

Integral aluminium door finger guard kit: including floor plate pivot set (adjustable on-site), intumescent and 2.1m anodised aluminium door edge profile (44mm).

Technical performance: NFR / FD30 (BS476-22), Severe Duty (DD171), up to 32dB (BS EN 140-3).

Product Ref: ALU60-100

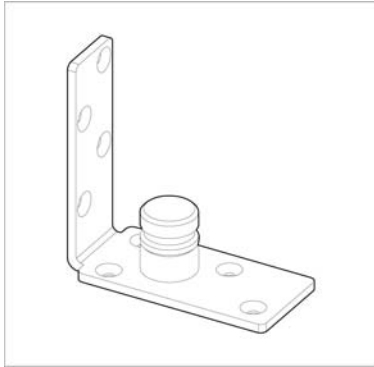
Integral aluminium door finger guard kit: including floor plate pivot set (adjustable on-site), intumescent and 2.1m anodised aluminium door edge profile (54mm).

Technical performance: FD60 (BS476-22), Severe Duty (DD171), up to 38dB (BS EN 140-3).

(more follows)

L-bracket kits

ALUmax kits with L-bracket fixing – fix to the floor and door frame.
(particularly suited for screeded floors)



Product Description: Integral aluminium finger guard for doors with adjustable (on-site) pivot set.

Manufacturer: Safehinge Ltd, Level 4, Skypark 3, 14 Elliot Place, Glasgow, G3 8EP safehinge.com

Product Ref: ALU30-150

Integral aluminium door finger guard kit: including L-bracket pivot set (adjustable on-site), intumescent and 2.1m anodised aluminium door edge profile (44mm).

Technical performance: NFR / FD30 (BS476-22), Severe Duty (DD171), up to 32dB (BS EN 140-3).

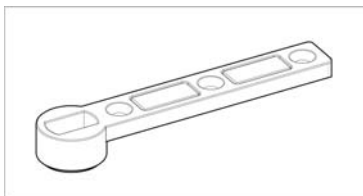
Product Ref: ALU60-150

Integral aluminium door finger guard kit: including L-bracket pivot set (adjustable on-site), intumescent and 2.1m anodised aluminium door edge profile (54mm).

Technical performance: FD60 (BS476-22), Severe Duty (DD171), up to 38dB (BS EN 140-3).

Floor spring strap kits

ALUmax kits with floor spring strap – for use with third party floor springs (supplied separately).



Product Description: Integral aluminium finger guard for doors with adjustable (on-site) pivot set.

Manufacturer: Safehinge Ltd, Level 4, Skypark 3, 14 Elliot Place, Glasgow, G3 8EP safehinge.com

Product Ref: ALU30-126FS

Integral aluminium door finger guard kit: including floor spring strap pivot set (adjustable on-site), intumescent and 2.1m anodised aluminium door edge profile (44mm).

Technical performance: NFR / FD30 (BS476-22), Severe Duty (DD171), up to 32dB (BS EN 140-3).

Product Ref: ALU60-126FS

Integral aluminium door finger guard kit: including floor spring strap pivot set (adjustable on-site), intumescent and 2.1m anodised aluminium door edge profile (54mm).

Technical performance: FD60 (BS476-22), Severe Duty (DD171), up to 38dB (BS EN 140-3).

To be fitted in accordance with manufacturer's instructions (available from website or on request).