



REVISIONS				
ZONE	REV.	DATE	DRAWNBY	DESCRIPTION
	01	21/12/2016	Jeremy Young	First issue
	02	15/03/2017	Jeremy Young	Drawing tolerances updated - In line with DM manufacturing tolerances

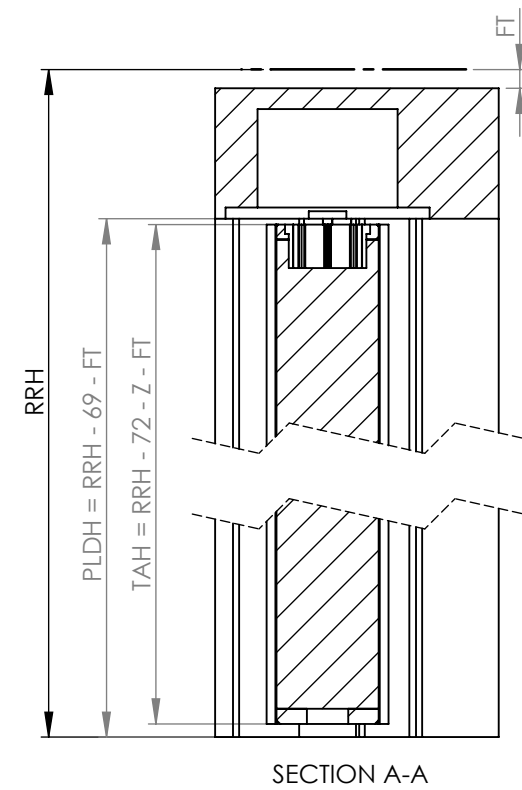
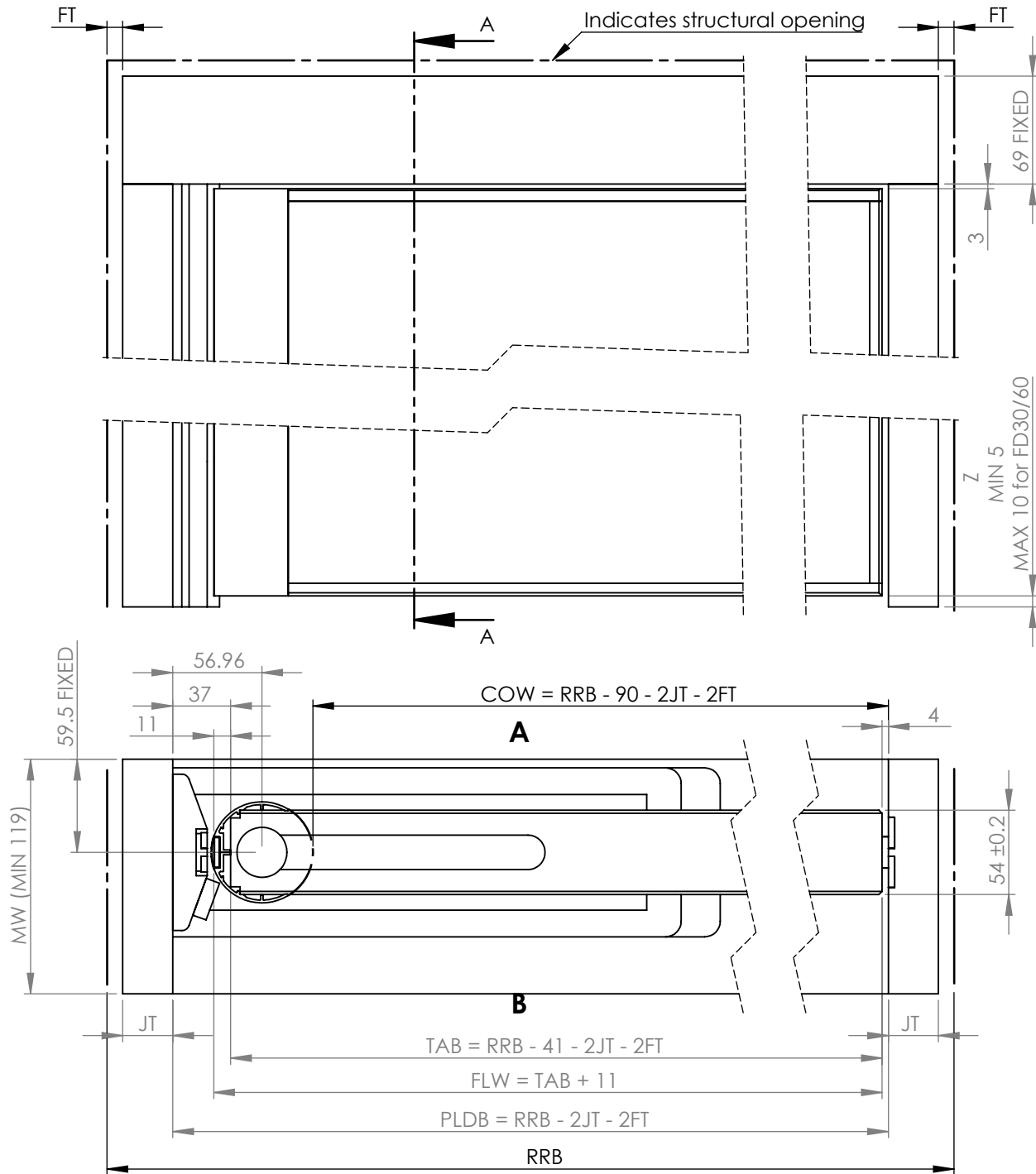
Surehinge/ALUmax + Sureclose Timber doorset Manufacturing drawings REV03

All Surehinge/ALUmax + Sureclose timber doorsets MUST be manufactured in accordance with these drawings. Please refer to the "Technical Manual" for further information. For Factory installation instructions please refer to "Surehinge + Sureclose Installation Instructions V1.2 OR ALUmax + Sureclose Installation Instructions V1.2". These documents are available to download here: www.safehinge.com/technical/

Abbreviation	Meaning	
RRB	Structural opening width	All information originates within Safehinge doorset schedule. NOTE:Door Manufacturer is not expected to calculate doorset dimensions from this document.
RRH	Structural opening height	
MW	Wall depth	
FT	Fitting tolerance	
Z	Threshold undercut	
PLDB	Frame opening width	
PLDH	Frame opening height	
TAB	Door core width	
TAH	Door leaf height	
LHH	Door handing Left hand	
RHH	Door handing Right hand	
FLW	Finished leaf width	
COW	Clear opening width	
A	Door face A	
B	Door face B	

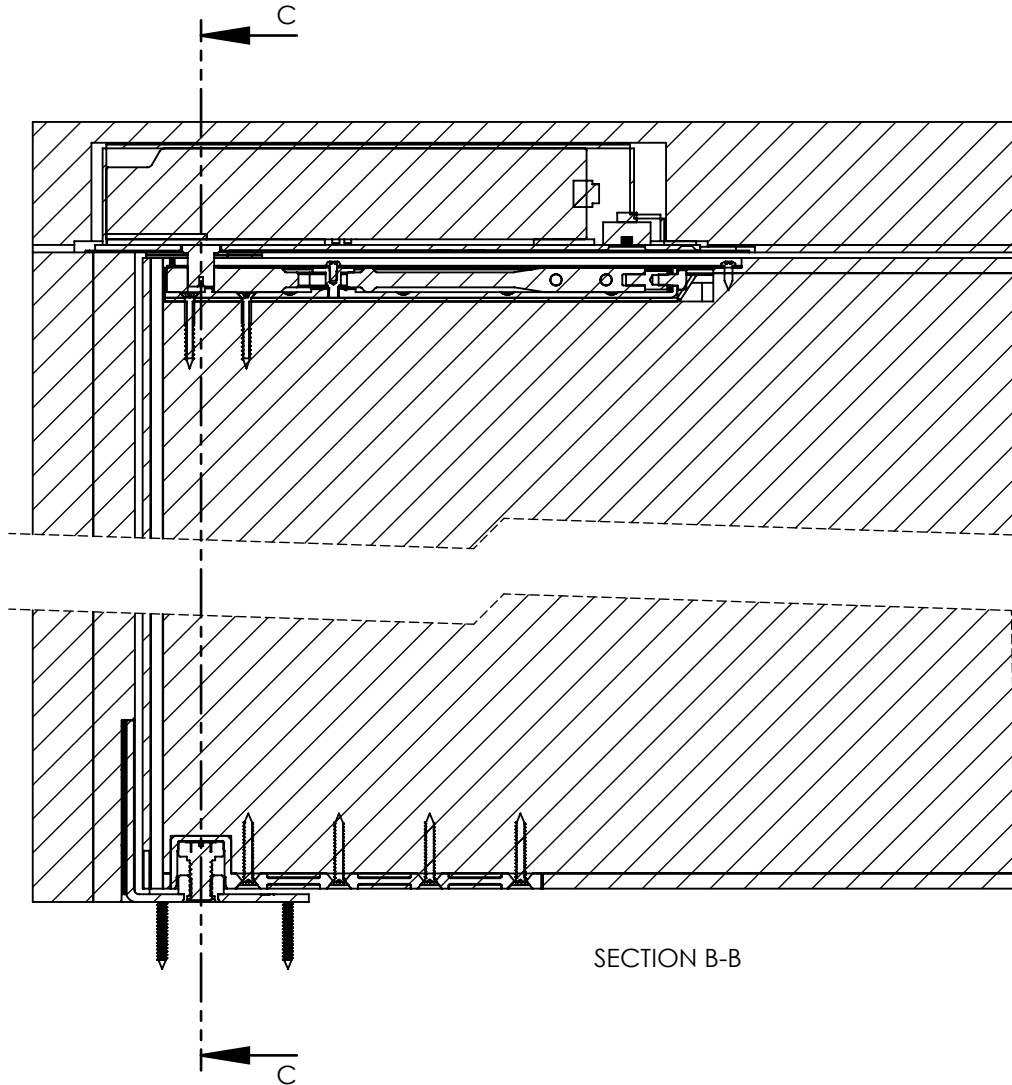
NOTE: Safehinge supply intumescent seals that are in direct contact with the ironmongery. The door manufacturer is responsible for procurement of all intumescent seals for the frame and door.

PART #:		
DESCRIPTION:	Surehinge/Alumax + Sureclose	
MATERIAL:	NA	PROPRIETARY AND CONFIDENTIAL THE INFORMATION CONTAINED IN THIS DRAWING IS THE SOLE PROPERTY OF SAFEHINGE LTD. ANY REPRODUCTION IN PART OR AS A WHOLE WITHOUT THE WRITTEN PERMISSION OF SAFEHINGE LTD IS PROHIBITED. © 2016 SAFEHINGE LTD
SURFACE FINISH:	NA	
PROJECT:	Symphony	
UNLESS OTHERWISE SPECIFIED: DIMENSIONS ARE IN MILLIMETERS		
TOLERANCES: LINEAR: ±0.5 ANGULAR: ±0.5°		 3RD ANGLE PROJECTION
DEBUR AND BREAK ALL SHARP EDGES		DRAWN BY: JY DATE: 21-12-16 CHECKED BY: DATE:
SCALE:1:4	SHEET 1 OF 8	DO NOT SCALE DRAWING
REV: 03		A4

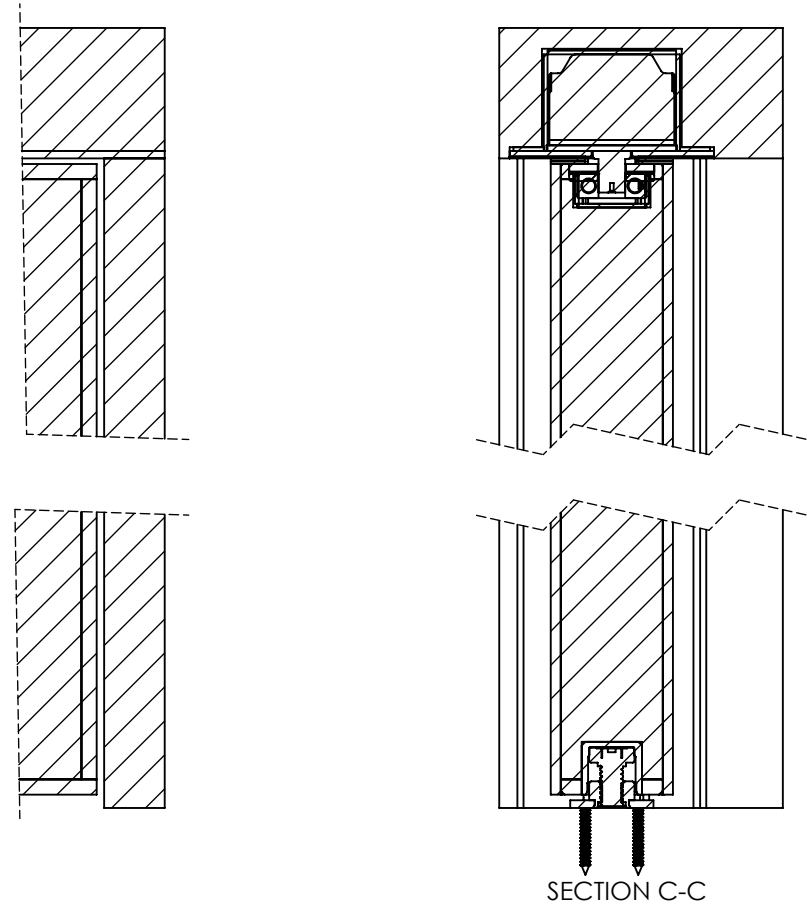


PART #:		
DESCRIPTION: Surehinge/ALUmax + Sureclose doorset		
MATERIAL: NA		01412440085
SURFACE FINISH: NA		PROPRIETARY AND CONFIDENTIAL THE INFORMATION CONTAINED IN THIS DRAWING IS THE SOLE PROPERTY OF SAFEHINGE LTD. ANY REPRODUCTION IN PART OR AS A WHOLE WITHOUT THE WRITTEN PERMISSION OF SAFEHINGE LTD IS PROHIBITED.
PROJECT: Symphony		
UNLESS OTHERWISE SPECIFIED: DIMENSIONS ARE IN MILLIMETERS		© 2016 SAFEHINGE LTD
TOLERANCES:		
LINEAR: ±0.5 ANGULAR: ±0.5°		
DEBUR AND BREAK ALL SHARP EDGES		DRAWN BY: JY DATE: 19-12-16
SCALE: 1:4	SHEET 2 OF 8	CHECKED BY: DATE:
DO NOT SCALE DRAWING	REV: 03	A4

Surehinge/Alumax + Sureclose doorset - S87 general arrangement



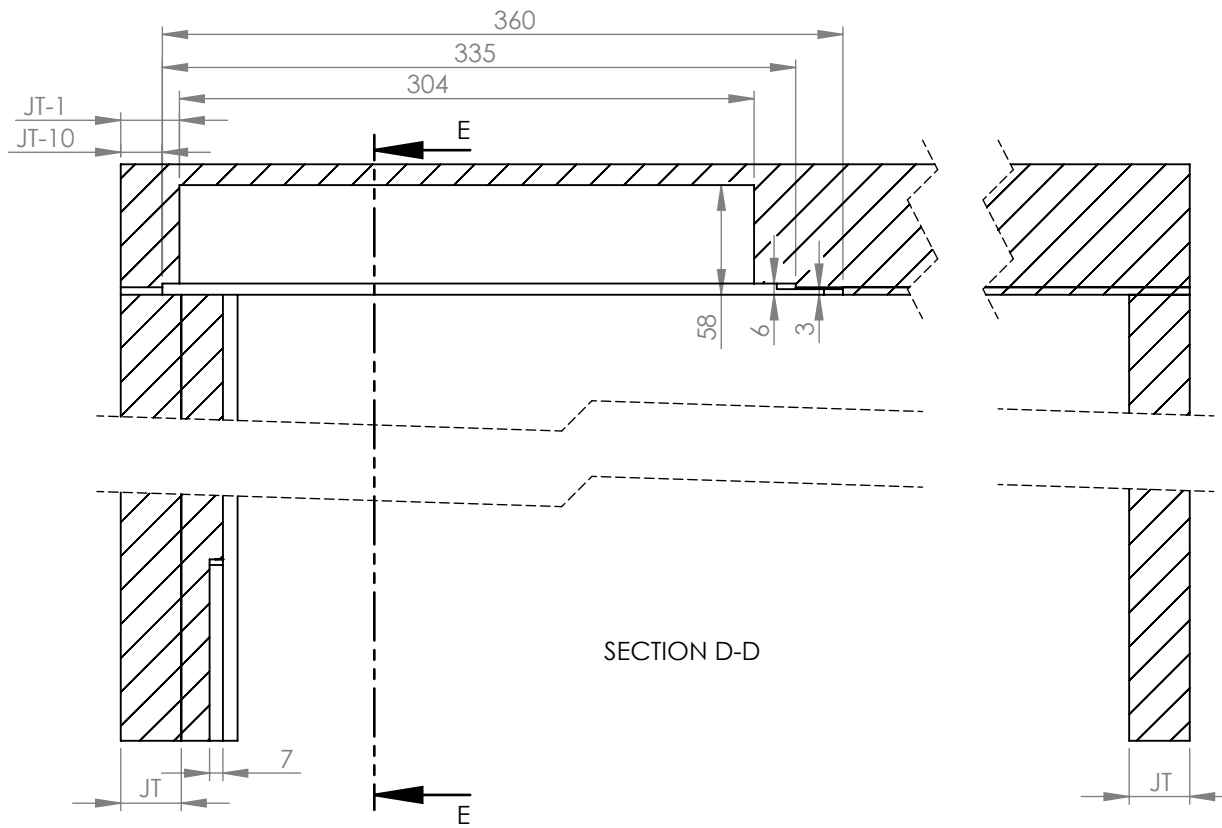
SECTION B-B



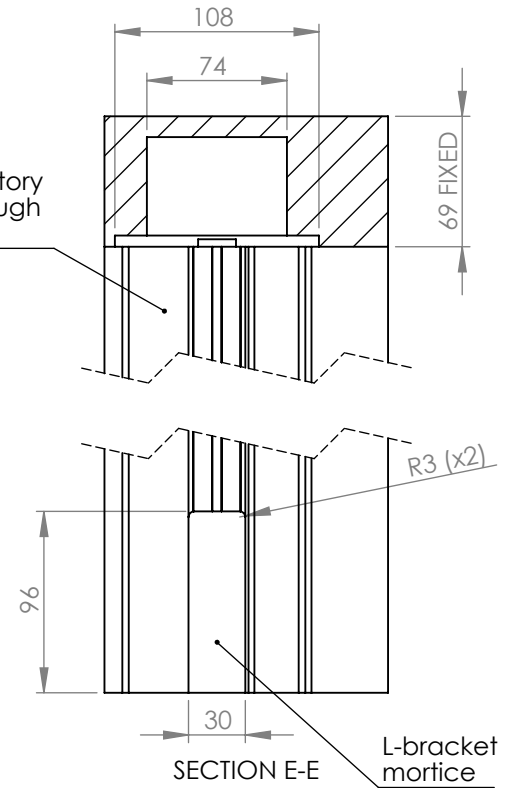
SECTION C-C

PART #:		
DESCRIPTION:	Surehinge/Alumax + Sureclose	
MATERIAL:	NA	PROPRIETARY AND CONFIDENTIAL THE INFORMATION CONTAINED IN THIS DRAWING IS THE SOLE PROPERTY OF SAFEHINGE LTD. ANY REPRODUCTION IN PART OR AS A WHOLE WITHOUT THE WRITTEN PERMISSION OF SAFEHINGE LTD IS PROHIBITED.
SURFACE FINISH:	NA	© 2016 SAFEHINGE LTD
PROJECT:	Symphony	DRAWN BY: JY DATE: 19-12-16 CHECKED BY: DATE:
UNLESS OTHERWISE SPECIFIED: DIMENSIONS ARE IN MILLIMETERS TOLERANCES: LINEAR: ±0.5 ANGULAR: ±0.5°		DEBUR AND BREAK ALL SHARP EDGES
SCALE:1:4	SHEET 3 OF 8	DO NOT SCALE DRAWING REV: 03 A4

Surehinge/Alumax + Sureclose doorset - S87 specific

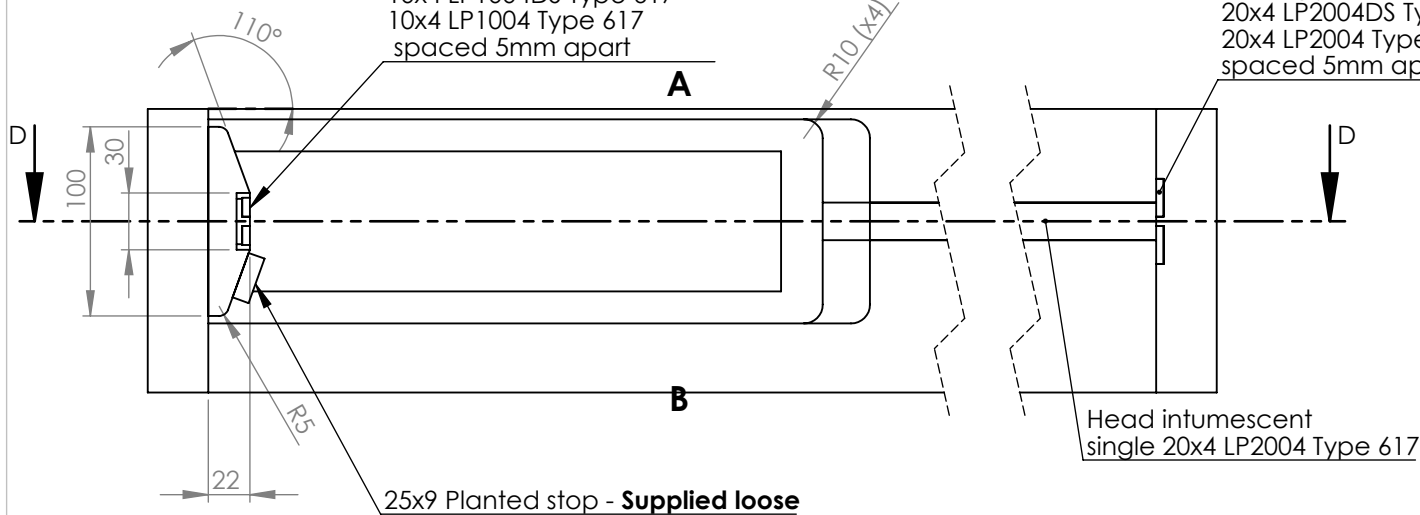


Add-on **MUST** be factory fitted - Screwed through intumescent rebates



Hanging jamb intumescent
10x4 LP1004DS Type 617
10x4 LP1004 Type 617
spaced 5mm apart

Closing jamb intumescent
20x4 LP2004DS Type 617
20x4 LP2004 Type 617
spaced 5mm apart



PART #:	
DESCRIPTION:	Surehinge/Alumax + Sureclose frame
MATERIAL:	Hardwood minimum density 640 kg/m ³
SURFACE FINISH:	
PROJECT:	Symphony
UNLESS OTHERWISE SPECIFIED: DIMENSIONS ARE IN MILLIMETERS	
TOLERANCES:	
LINEAR: ±0.5	
ANGULAR: ±0.5°	
DEBUR AND BREAK ALL SHARP EDGES	
SCALE:1:4	SHEET 4 OF 8
DO NOT SCALE DRAWING	

SAFEHINGE SIMPLY DIFFERENT

01412440085

PROPRIETARY AND CONFIDENTIAL
THE INFORMATION CONTAINED IN THIS DRAWING IS THE SOLE PROPERTY OF SAFEHINGE LTD. ANY REPRODUCTION IN PART OR AS A WHOLE WITHOUT THE WRITTEN PERMISSION OF SAFEHINGE LTD IS PROHIBITED.

© 2016 SAFEHINGE LTD

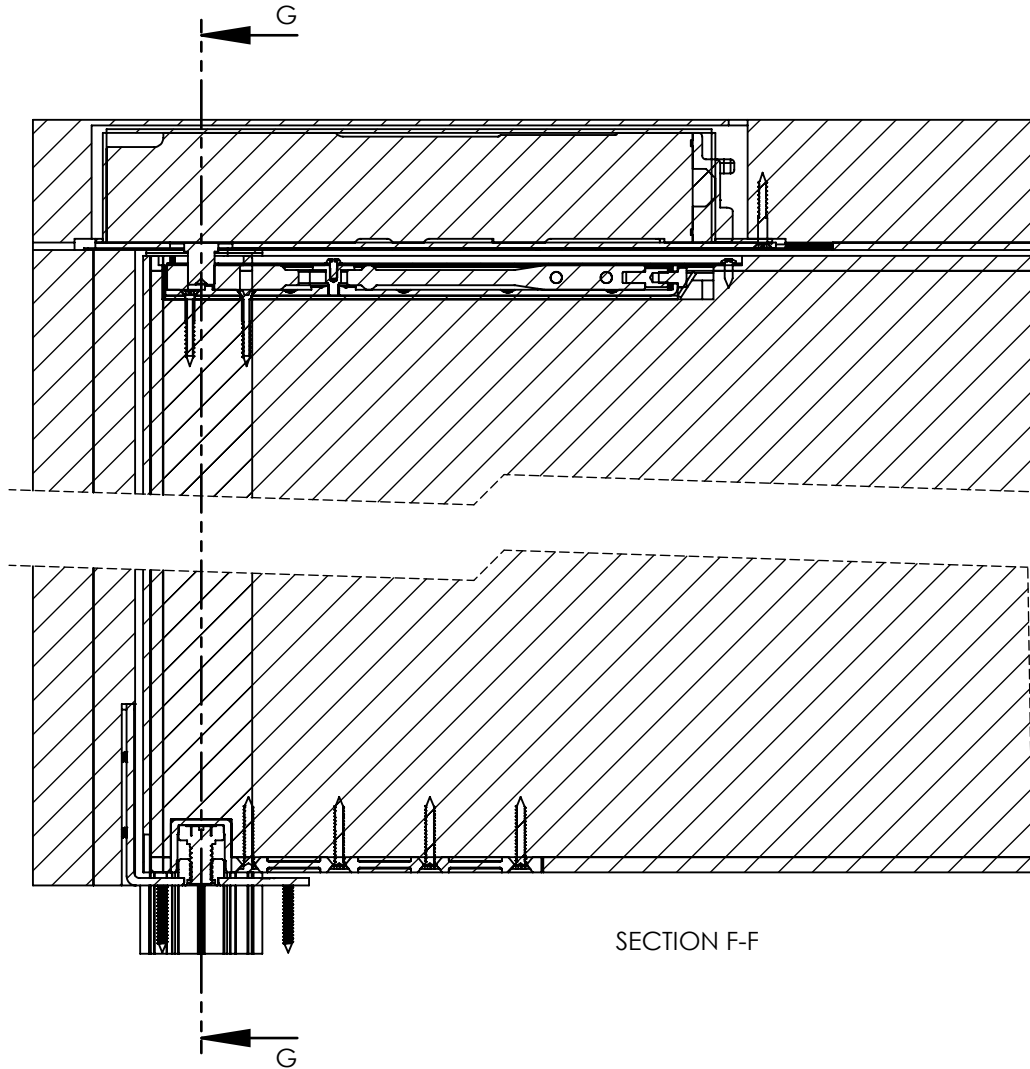
3RD ANGLE PROJECTION

DRAWN BY: JY DATE: 19-12-16
CHECKED BY: DATE:

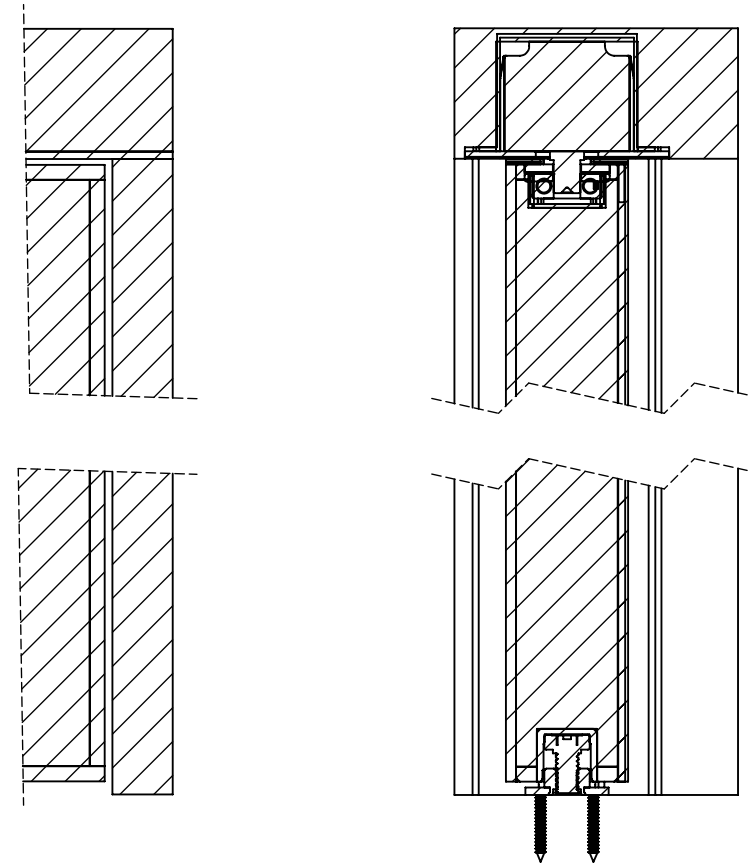
REV: 03

A4

Surehinge/Alumax + Sureclose doorset - S80/4/5/F general arrangement



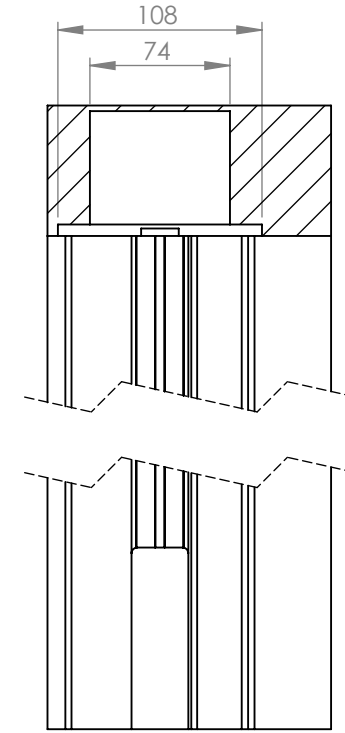
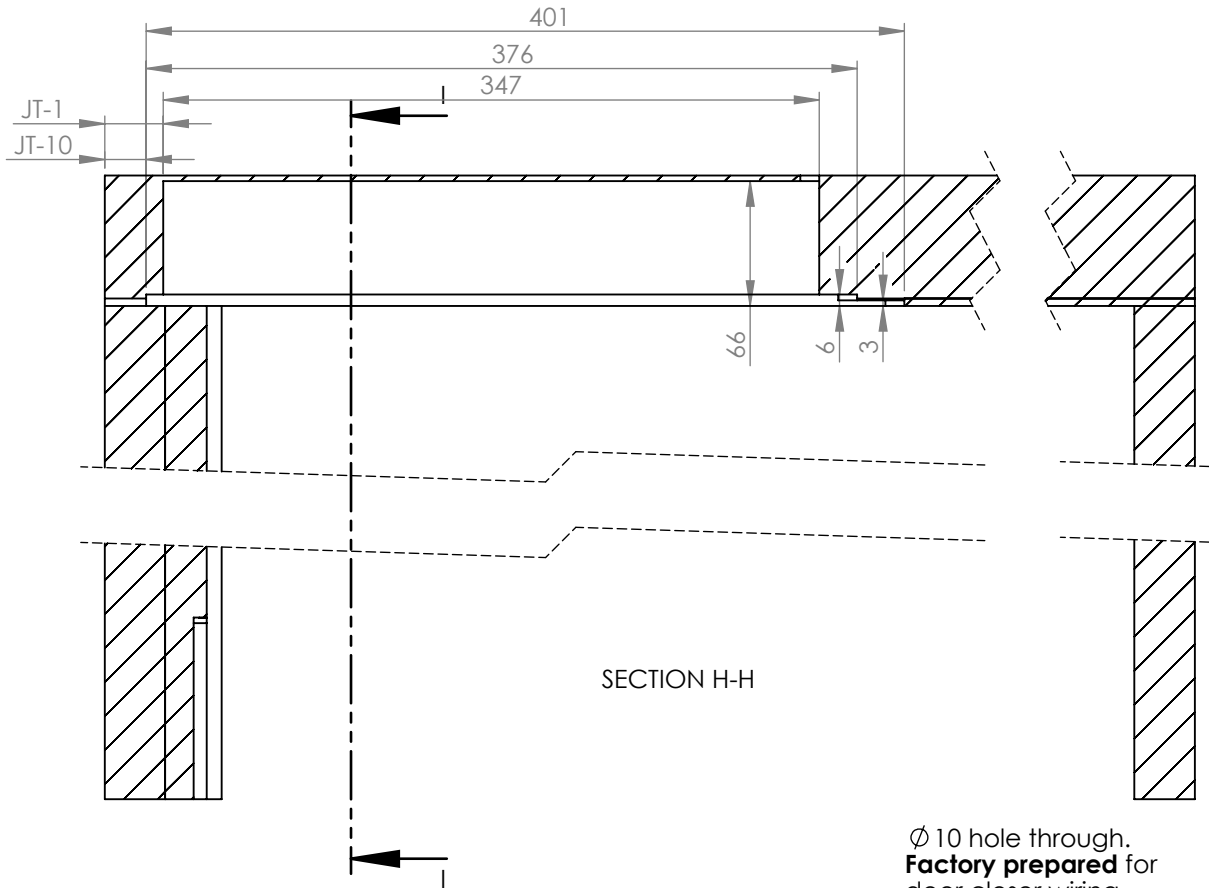
SECTION F-F



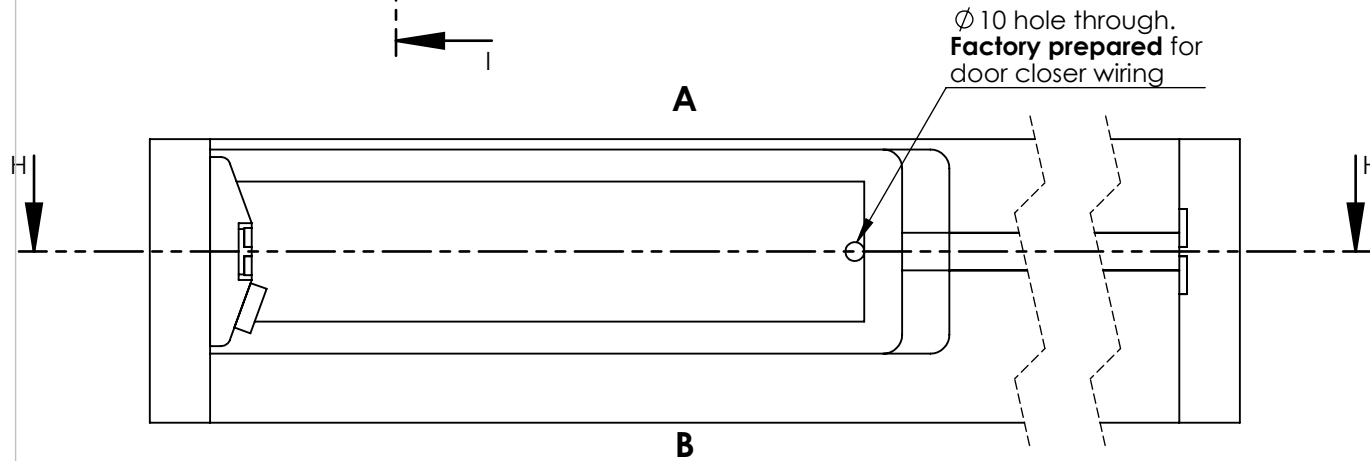
SECTION G-G



PART #:		
DESCRIPTION:	Surehinge/Alumax + Sureclose	
MATERIAL:	NA	01412440085 PROPRIETARY AND CONFIDENTIAL THE INFORMATION CONTAINED IN THIS DRAWING IS THE SOLE PROPERTY OF SAFEHINGE LTD. ANY REPRODUCTION IN PART OR AS A WHOLE WITHOUT THE WRITTEN PERMISSION OF SAFEHINGE LTD IS PROHIBITED.
SURFACE FINISH:	NA	© 2016 SAFEHINGE LTD
PROJECT:	Symphony	DRAWN BY: JY DATE: 19-12-16 CHECKED BY: DATE:
UNLESS OTHERWISE SPECIFIED: DIMENSIONS ARE IN MILLIMETERS TOLERANCES: LINEAR: ± 0.5 ANGULAR: $\pm 0.5^\circ$		DEBUR AND BREAK ALL SHARP EDGES
SCALE: 1:4	SHEET 5 OF 8	DO NOT SCALE DRAWING REV: 03
		A4

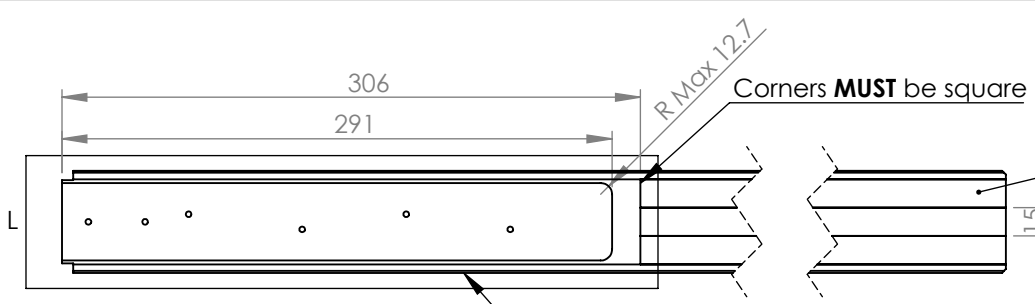
Surehinge/ALUmax + Sureclose doorset - S80/4/5/F specific - NOTE: All other dimensions as per S87



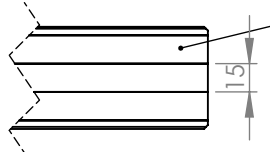
SECTION I-I



PART #:		
DESCRIPTION:	Surehinge/Alumax + Sureclose frame	
MATERIAL:	Hardwood minimum density 640 kg/m ³	01412440085
SURFACE FINISH:		PROPRIETARY AND CONFIDENTIAL THE INFORMATION CONTAINED IN THIS DRAWING IS THE SOLE PROPERTY OF SAFEHINGE LTD. ANY REPRODUCTION IN PART OR AS A WHOLE WITHOUT THE WRITTEN PERMISSION OF SAFEHINGE LTD IS PROHIBITED.
PROJECT:	Symphony	© 2016 SAFEHINGE LTD
UNLESS OTHERWISE SPECIFIED: DIMENSIONS ARE IN MILLIMETERS		 3RD ANGLE PROJECTION
TOLERANCES: LINEAR: ±0.5 ANGULAR: ±0.5°		DRAWN BY: JY DATE: 19-12-16 CHECKED BY: DATE:
DEBUR AND BREAK ALL SHARP EDGES		SCALE:1:4 SHEET 6 OF 8 DO NOT SCALE DRAWING
		REV: 03

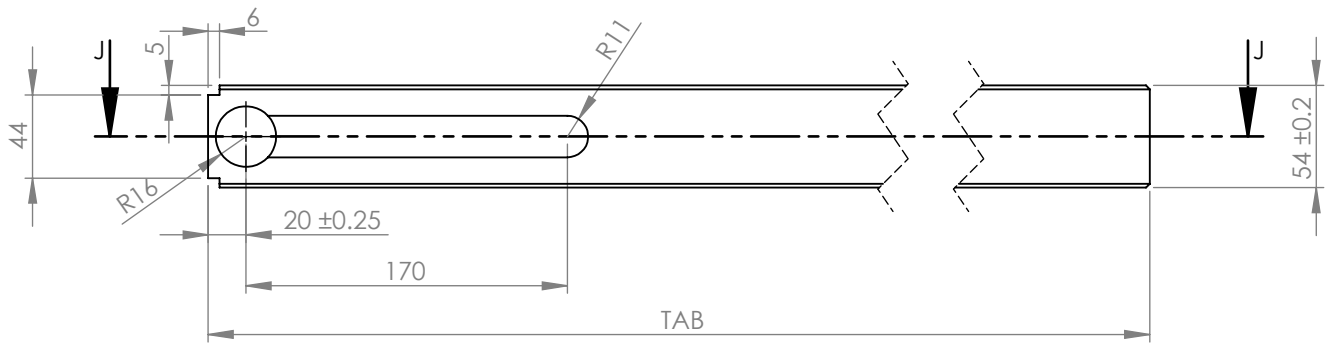
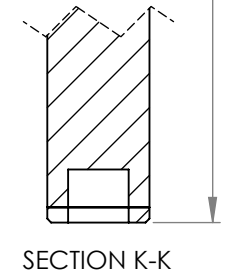
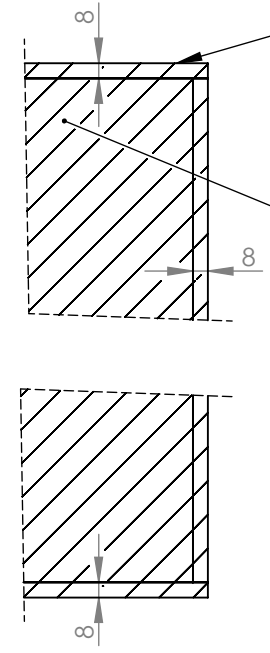
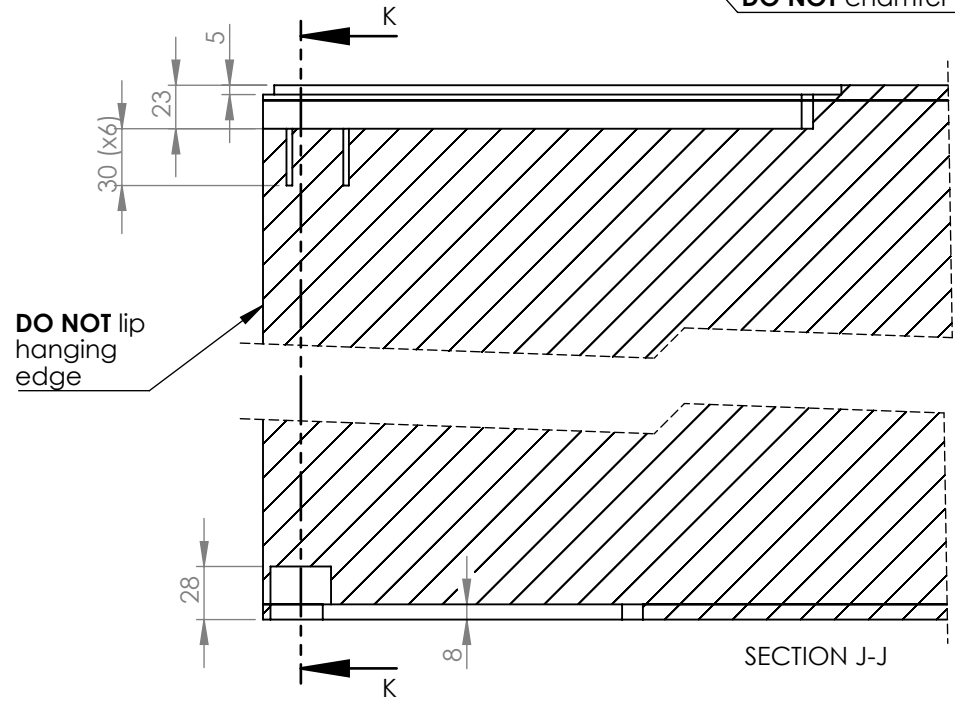
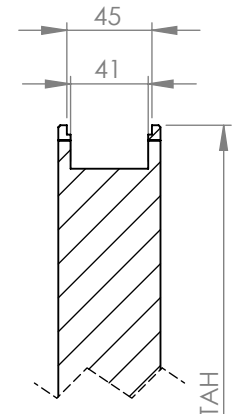


Door head intumescent
15x4 LP1504DS Type 617
15x4 LP1504 Type 617
spaced 15mm apart
NOTE: For double doors - meeting stile
to match this configuration



DO NOT chamfer door head edges

8mm 640Kg/m3 lipping
on top, bottom, and
closing edge
Glue lines: PU, UF, PVA, PF



PART #:	
DESCRIPTION:	Surehinge/Alumax + Sureclose door leaf
MATERIAL:	Blankfort 60/60+ (54mm)
SURFACE FINISH:	
PROJECT:	Symphony
UNLESS OTHERWISE SPECIFIED: DIMENSIONS ARE IN MILLIMETERS	
TOLERANCES: LINEAR: ±0.5 ANGULAR: ±0.5°	
DEBUR AND BREAK ALL SHARP EDGES	
SCALE: 1:4	SHEET 7 OF 8
DO NOT SCALE DRAWING	

SAFEHINGE SIMPLY DIFFERENT

01412440085

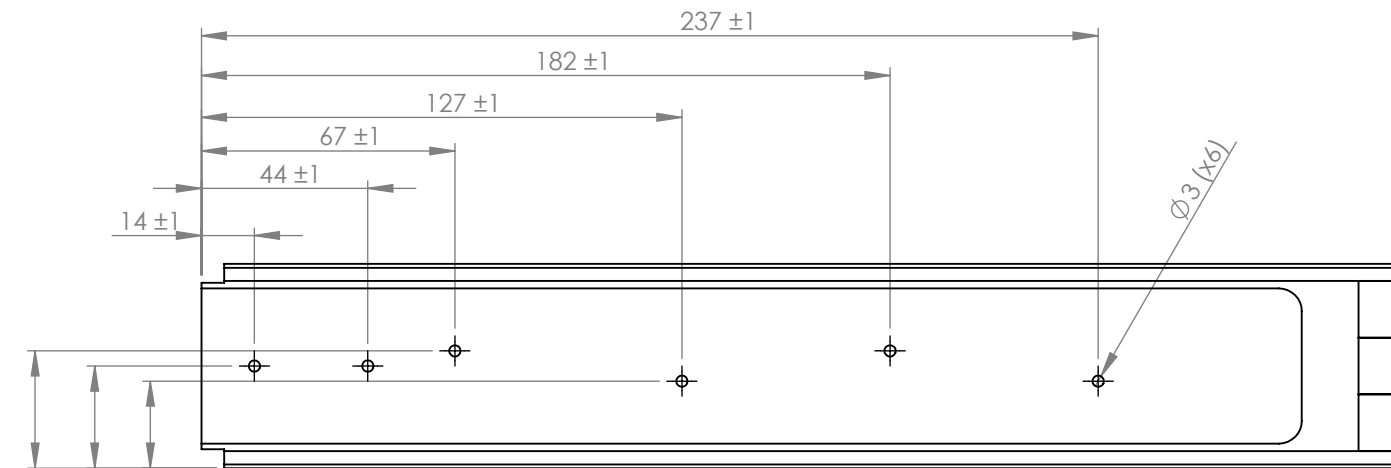
PROPRIETARY AND CONFIDENTIAL
THE INFORMATION CONTAINED IN THIS DRAWING IS THE SOLE PROPERTY OF SAFEHINGE LTD. ANY REPRODUCTION IN PART OR AS A WHOLE WITHOUT THE WRITTEN PERMISSION OF SAFEHINGE LTD IS PROHIBITED.

© 2016 SAFEHINGE LTD

3RD ANGLE PROJECTION

DRAWN BY: JY DATE: 19-12-16
CHECKED BY: DATE:

REV: 03

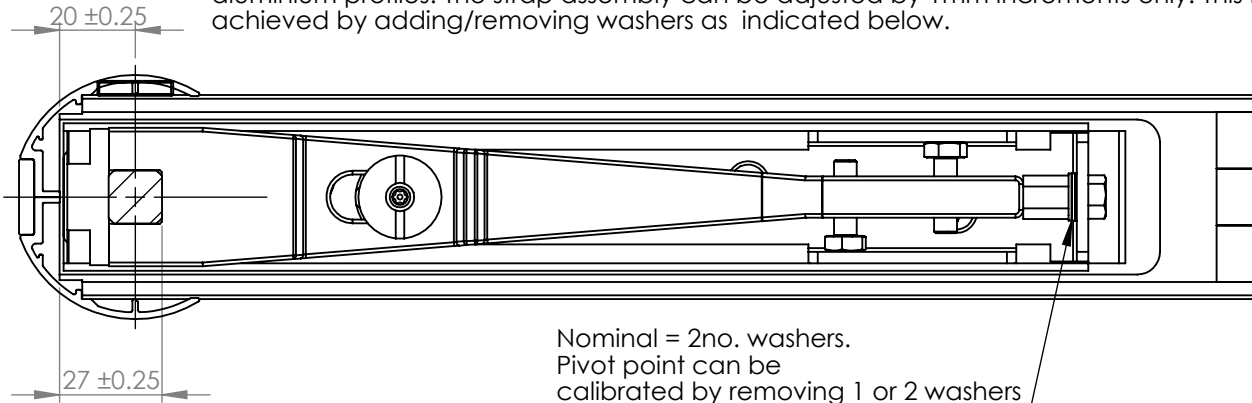


DETAIL L
SCALE 1 : 2

CRITICAL: Pilot hole positions must be within a tolerance of +/- 1mm from the hanging edge and +/- 0.5mm relative to the centre line.
 If pilot holes cannot be CNC machined, contact Safehinge about drilling jig alternative

Pilot holes sized for No. 10 x 1.5" self tapping screws

NOTE: Top strap assembly must be factory fitted so the closer spindle is concentric with the aluminium profiles. The strap assembly can be adjusted by 1mm increments only. This is achieved by adding/removing washers as indicated below.



Nominal = 2no. washers.
 Pivot point can be calibrated by removing 1 or 2 washers
 OR adding a 3rd washer.

PART #:			
DESCRIPTION: Surehinge/Alumax + Sureclose door leaf			
MATERIAL: Blankfort 60/60+ (54mm)		01412440085	
SURFACE FINISH:		PROPRIETARY AND CONFIDENTIAL THE INFORMATION CONTAINED IN THIS DRAWING IS THE SOLE PROPERTY OF SAFEHINGE LTD. ANY REPRODUCTION IN PART OR AS A WHOLE WITHOUT THE WRITTEN PERMISSION OF SAFEHINGE LTD IS PROHIBITED.	
PROJECT: Symphony		© 2016 SAFEHINGE LTD	
UNLESS OTHERWISE SPECIFIED: DIMENSIONS ARE IN MILLIMETERS			
TOLERANCES: LINEAR: ±0.5 ANGULAR: ±0.5°		DRAWN BY: JY DATE: 19-12-16	
DEBUR AND BREAK ALL SHARP EDGES		CHECKED BY: DATE:	
SCALE:1:4	SHEET 8 OF 8	DO NOT SCALE DRAWING	REV: 03
			A4