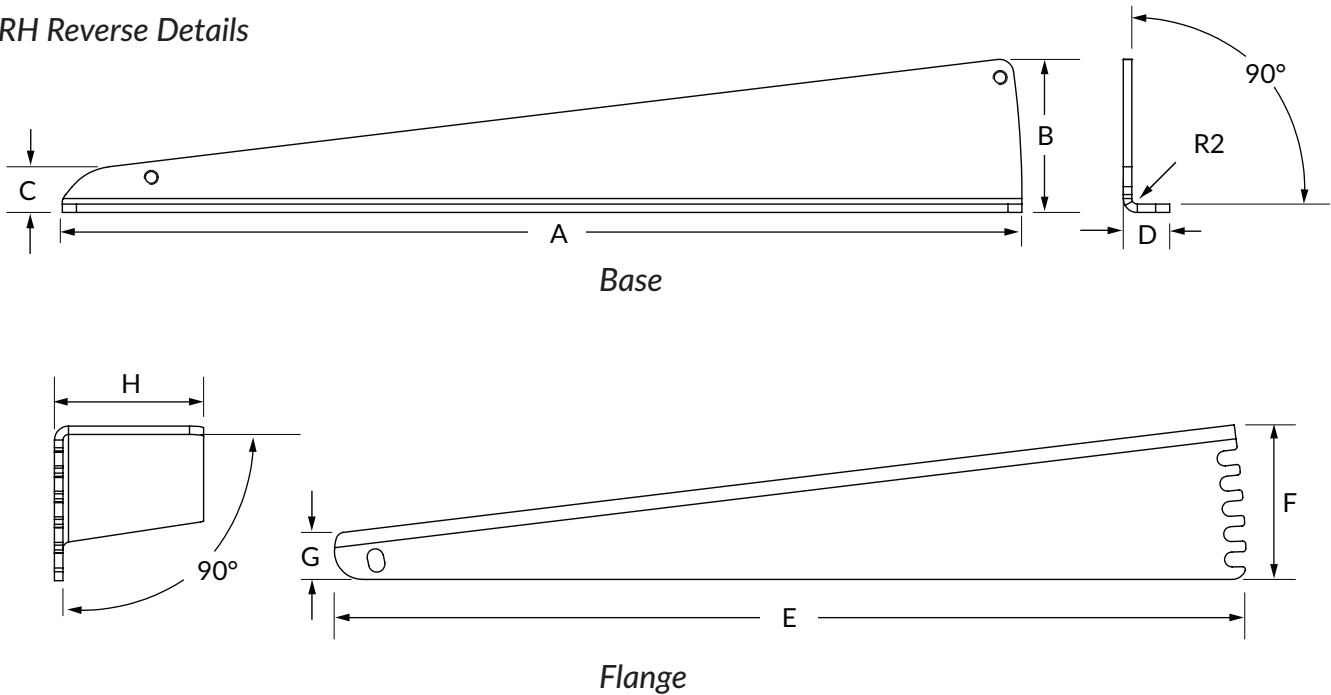


Stronghold Window Restrictors

LH version shown as key

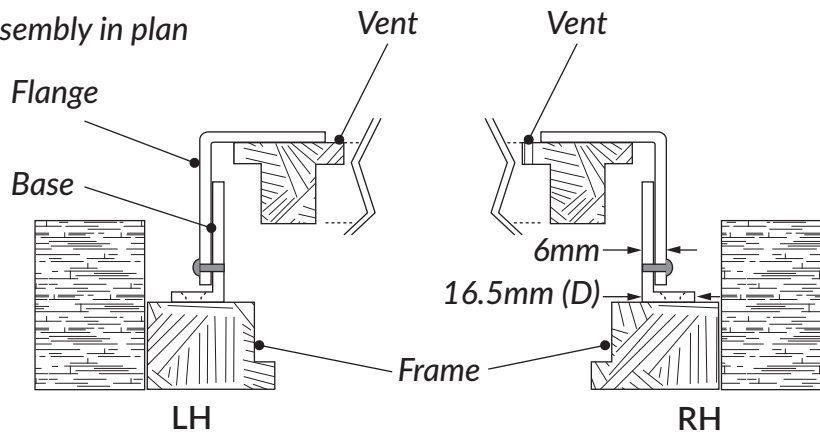
RH Reverse Details



DIMENSIONS

PRODUCT	A	B	C	D	E	F	G	H
PR-8WR225-L or R	225	54.4	16.2	16.5	210	55	16.7	53
PR-8WR340-L or R	340	54.4	16.2	16.5	325	55	16.7	53
PR-8WR450-L or R	450	54.4	16.2	16.5	435	55	16.8	53
PR-8WR650-L or R	650	54.7	17.1	16.5	635	55	17.2	53

Fig 2 Restrictor assembly in plan



Important Note: Primera products are protected by Intellectual Property Rights including UK and Community Unregistered Design Rights, UK and Community Registered Designs and UK Patents and Patent Applications.
For further details or please contact Primera Ltd.

Stronghold Window Restrictors

PARTS LIST

PRODUCT	ITEM	LEFT HAND	RIGHT HAND	FIXING PACK
PR-8WR225-L or R	BASE	B600031	B600032	B100581 X 2
	FLANGE	B600033	B600034	
PR-8WR340-L or R	BASE	B600041	B600042	B100581 X 2
	FLANGE	B600043	B600044	
PR-8WR450-L or R	BASE	B600051	B600052	B100582 X 2
	FLANGE	B600053	B600054	
PR-8WR650-L or R	BASE	B600061	B600062	B100032 X 2 B100216 X 2
	FLANGE	B600063	B600064	

- Material** | Window Restrictor Base : 3mm mild steel, pretreated* and powder coated white.
Window Restrictor Flange : 3mm mild steel, pretreated* and powder coated white.
- Fixings** | 6 lobe pin-torx anti-tamper stainless steel security screws.
- Maintenance** | Cleaning: Proprietary baby oil and soft cloth.

* Twin Pack Olive-Drab Passivate produces a heavy olive drab chromate coating on zinc or cadmium plated surfaces. Olive-Drab provides the maximum salt spray and abrasion resistance of any type of chromate dip and is a satisfactory product for meeting Government specifications for this type of finish. Olive-Drab produces an excellent base for subsequent painting and can replace organic type primers for this purpose. The smooth glossy olive drab colour produced is an outstanding final finish for many types of applications. Olive-Drab will withstand salt spray testing of 150 -225 hours before the appearance of white rust and 400 - 750 hours before the appearance of re-drust.

Standards

ITEM	PART NUMBER	DHF T001: 2013
1	PR-8WR225-PR	PASSED B4
2	PR-8WR340-PR	PASSED B4
3	PR-8WR450-PR	PASSED B4
4	PR-8WR650-PR	PASSED B4

Important Note: Primera products are protected by Intellectual Property Rights including UK and Community Unregistered Design Rights, UK and Community Registered Designs and UK Patents and Patent Applications.
For further details or please contact Primera Ltd.