

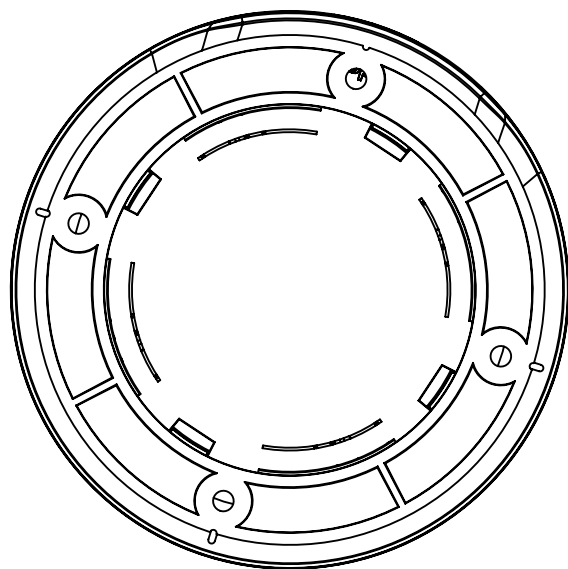
2X M4 SCREWS

1X MOUNT

2X PLATES

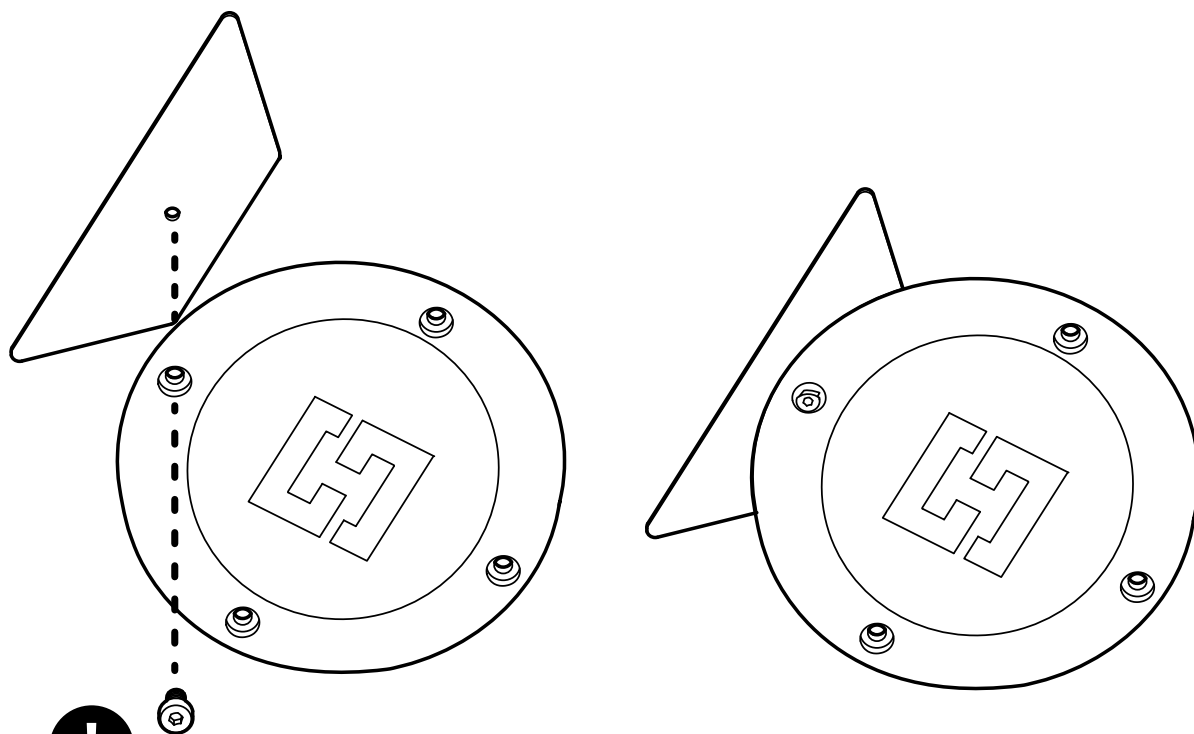
LOCATION SENSOR DROP CEILING INSTALLATION GUIDE

0



CHECK LOCATION LABEL
UNDERNEATH SENSOR.

1

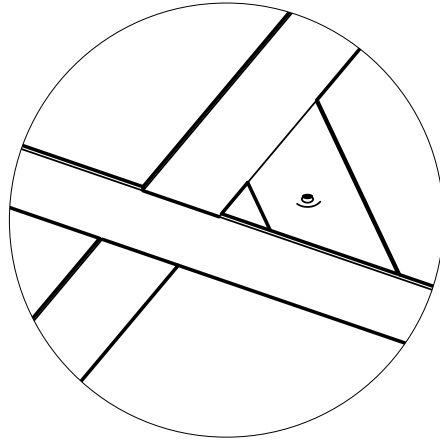
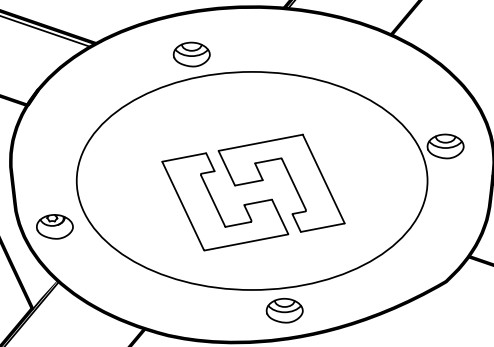


LOOSELY SCREW MOUNT BASE TO ONE PLATE



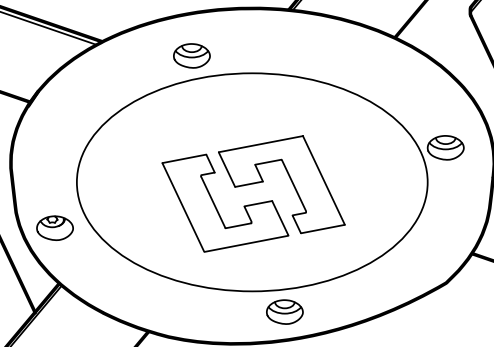
2

SLIDE PLATE WITH
MOUNT BASE BETWEEN
CEILING TILE AND CHANNEL

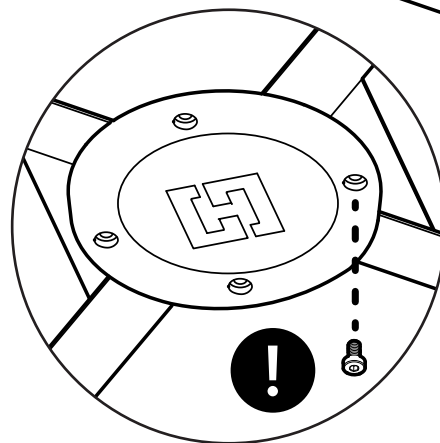


3

SLIDE SECOND PLATE



SCREW AND TIGHTEN,
BOTH PLATES



4



ALIGN AND CENTER SENSOR TO MOUNT BASE.
PRESS AND TWIST CLOCKWISE, UNTIL IT SNAPS LOCKS IN PLACE

5



CONNECT PoE CABLE

