

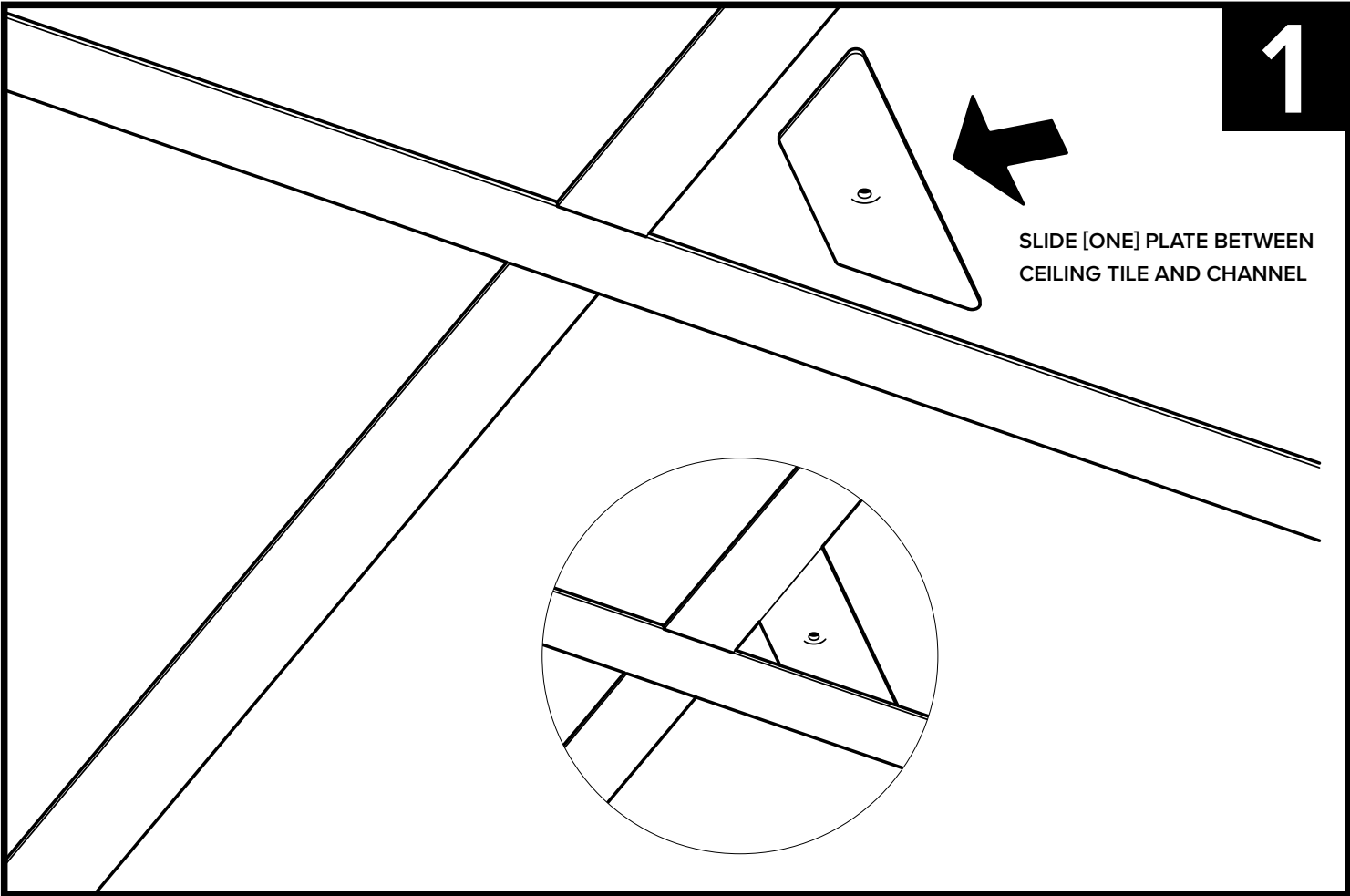
2X M4 SCREWS

1X MOUNT

2X PLATES

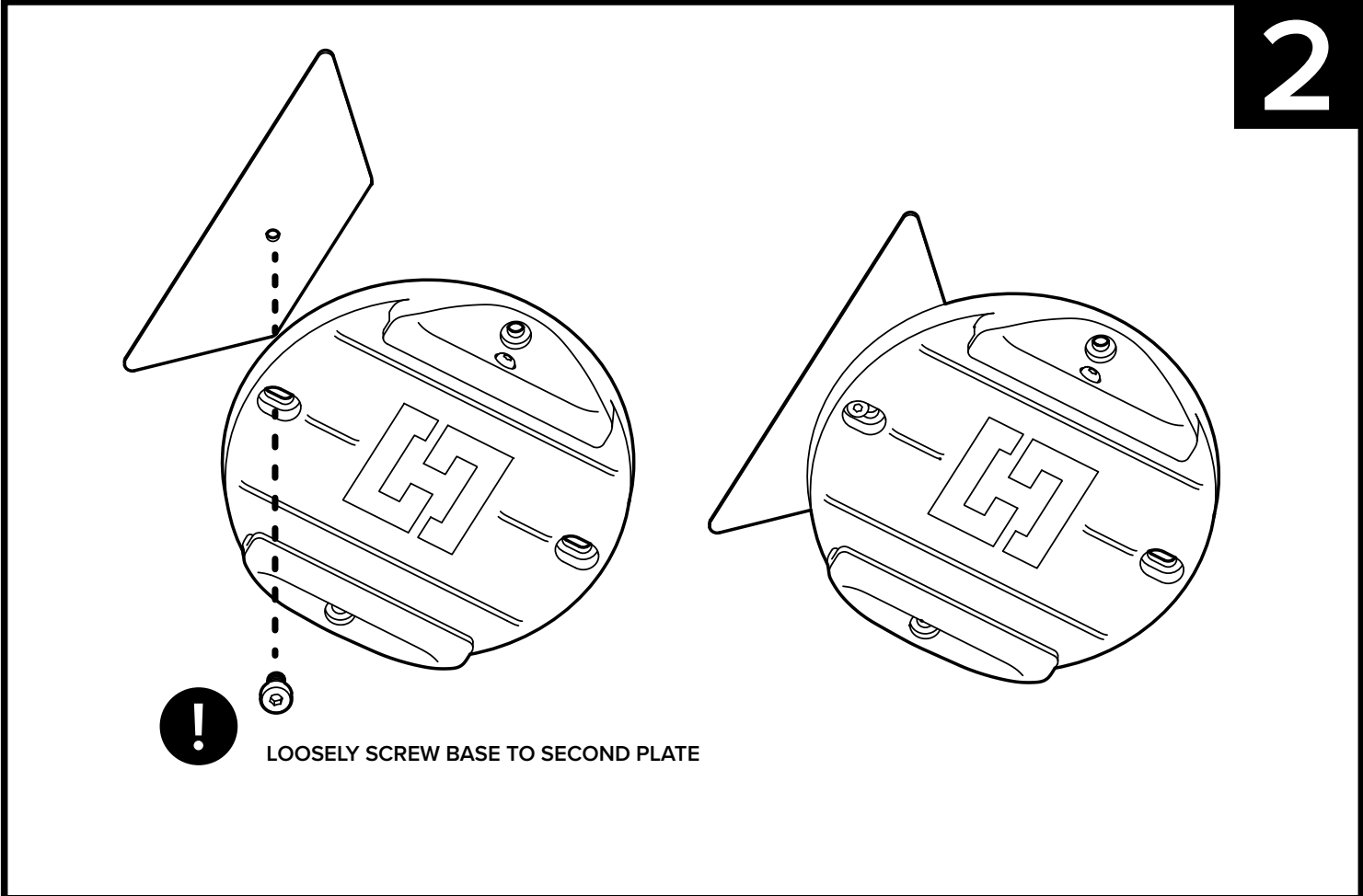
# MAPPING SENSOR DROP CEILING INSTALLATION GUIDE

1



SLIDE [ONE] PLATE BETWEEN  
CEILING TILE AND CHANNEL

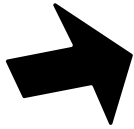
2



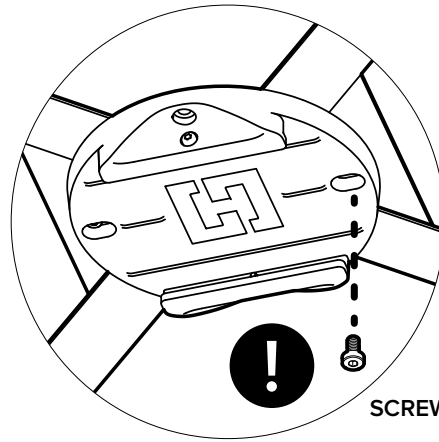
LOOSELY SCREW BASE TO SECOND PLATE



3



SLIDE MOUNT ASSEMBLY



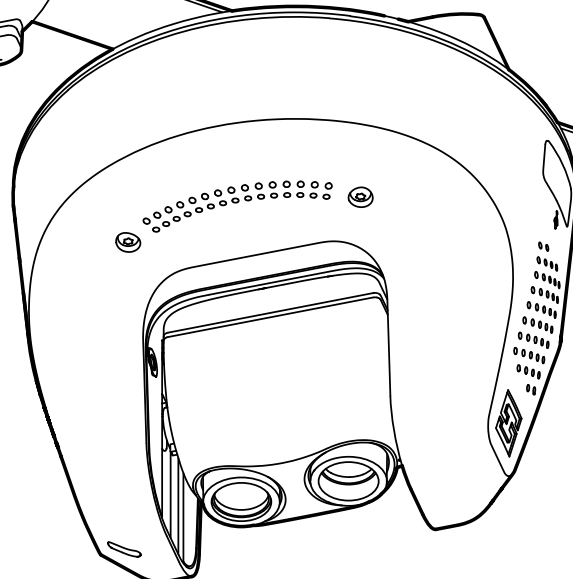
SCREW & TIGHTEN TO PLATE

4



A. SLIDE MAPPER TO MOUNT ASSEMBLY

B. TIGHTEN SIDE SCREWS TO SECURE MAPPER



5

