



SUCCESS PLAN

Mark Two Composite Printer

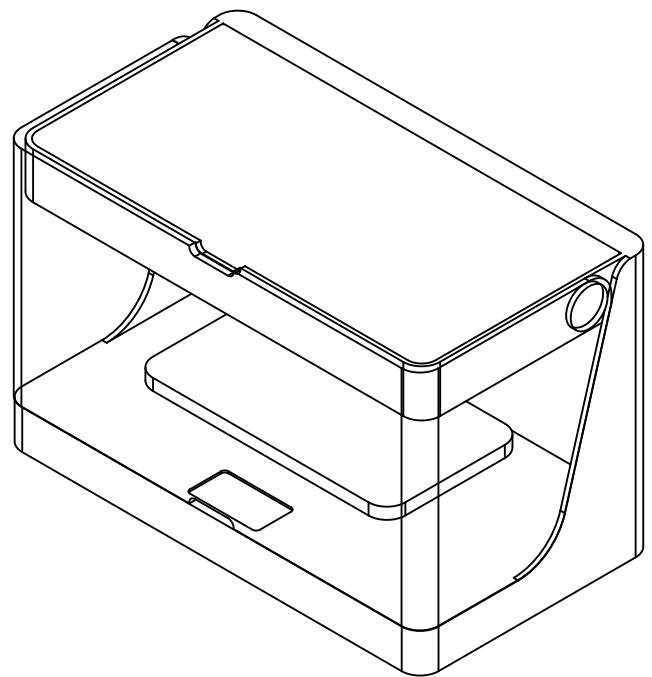
Markforged offers an optional customer Success Plan with the purchase of a Mark Two machine. Success Plan customers receive discount material deals, priority service, part replacement, and advanced engineering consultation. Print smarter and more reliably with a Success Plan.

YOU'RE COVERED

Our customers depend on our machines to create mission critical parts — that's why we design our printers from the ground up for reliability. Sometimes the unexpected happens — when it does, we will get you back to printing fast. If your machine goes down due accidental damage or wear and tear, we'll quickly diagnose your problem, express mail replacement parts, and have a Markforged certified technician install them on-site.

PRINT SMARTER

We want you to get the most out of your printer. That's why all Mark Two* success plans include two hours per year of 1 on 1 consultations with our expert Application Engineers. They'll show you how to design parts for Markforged machines, how to utilize fiber reinforcement efficiently and effectively, and how to save both material and print time. With our help, you'll quickly climb the learning curve.



MATERIAL DISCOUNTS

Get what you need to print successfully. We bundle material and key wear components into a discounted package available only to Success Plan customers.

SUGGESTED RETAIL PRICE (SRP)

1 Year	3 Year	1 Year Renewal
\$ 1,999 SRP	\$ 4,999 SRP	\$ 1,999 SRP

**Plan must be purchased within 60 days of product delivery or expiration of success plan. Additional years can be added onto your original success plan in one year increments. Maximum total length is 3 years after purchase.