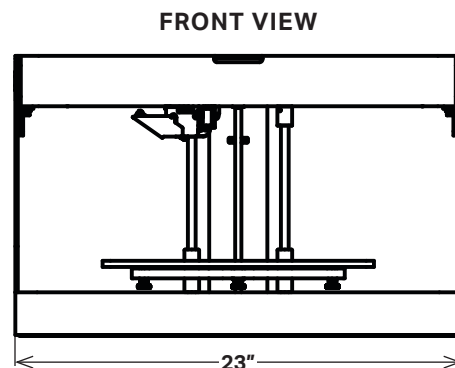
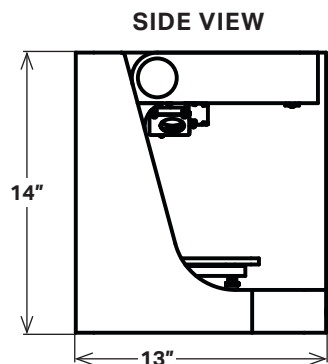


PRINTER SPECIFICATIONS

# ONYX ONE

Built on the same platform as our award winning Industrial Series, the Onyx One is designed from the ground up for quality and reliability in a form factor that fits on your desktop. Onyx parts are twice as strong as conventional plastics, and if you need real strength, upgrade to continuous carbon fiber reinforcement for parts that are stronger than aluminum.

<b>PRINTER PROPERTIES</b>	<b>Process</b>	Fused Filament Fabrication
	<b>Build Volume</b>	320 x 132 x 154 mm (12.6 x 5.2 x 6 in)
	<b>Weight</b>	15 kg (34 lbs)
	<b>Machine Footprint</b>	584 x 330 x 355 mm (23 x 13 x 14 in)
	<b>Print Bed</b>	Flat to within 160 um - Kinematic coupling
	<b>Onyx Pro Upgrade</b>	Continuous Fiberglass
	<b>Mark Two Upgrade</b>	Continuous Carbon Fiber, HSHT, and Kevlar
	<b>Power</b>	100-240VAC, 150W (2A peak)
<b>PART PROPERTIES</b>	<b>Layer Height</b>	100um default, 200um maximum
	<b>Material Properties</b>	UTS: 36 MPa (1.2x ABS); Flex Stiffness: 2.9 GPa (1.4x ABS)
	<b>Infill</b>	Closed Cell Infill: Multiple geometries available
<b>SOFTWARE</b>	<b>Supplied Software</b>	Markforged Software - Cloud Storage, Local Storage, or Fully On-Premise (\$5,000 added fee)
	<b>Security</b>	Two Factor Auth, Org Admin Access, Single Sign On
<b>MATERIALS</b>	<b>Plastics Available</b>	Onyx
	<b>Fibers Available</b>	None



All specifications approximate and subject to change without notice.