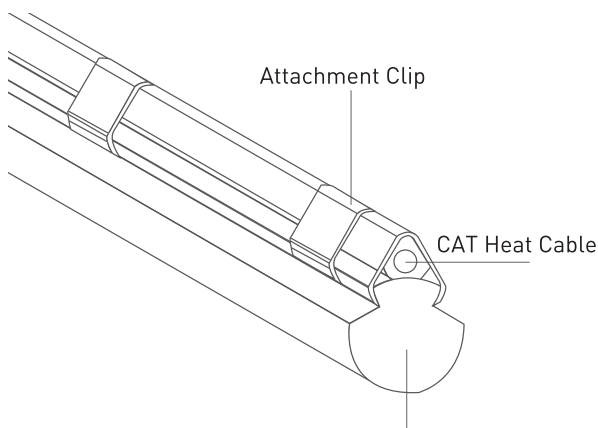


Raychem CAT HEAT CATERNARY WIRE HEATING SYSTEM



PRODUCT OVERVIEW

Raychem overhead catenary wire de-icing system (CAT Heat) is the state-of-the-art solution to de-ice the Overhead Contact System (OCS). Designed to operate at all standard OCS voltages, CAT Heat and its Telemetry and Controls are installed quickly and easily in virtually all conditions.

IEEE specified catenary heating system is vastly superior to the mechanical methods of ice removal traditionally in use. With attractive acquisition and installation costs and a short ROI, the Raychem CAT Heat system is the most viable choice available for OCS de-icing to ensure reliable, safe operation of the OCS and revenue service vehicles during severe winter operations.

Raychem CAT Heat system is designed for various sizes of English and metric contact/trolley wire for inner-city rail, commuter rail, light rail, streetcars, and electric trolley bus transit systems.

Raychem CAT Heat system is a constant wattage series heater with a high temperature fluoropolymer jacket. The heater has a triangular cross section for faster and easier installation and comes with thermally conductive silicone outer jacket for efficient heat transfer to the contact wire. The Phos-Bronze mounting clips ensure that the heater attachment is secure in all service conditions. Hard wired or RF controllers are available for reliable, efficient operation of the system.

SPECIFICATIONS (NOMINAL)

Power Output	10 W/ft (32 W/m)
Voltage	600, 750, 1500, 3000 VDC
Circuit Lengths	250 - 3000 ft (75 - 900 m)
Maximum Intermittent Exposure Temperature	200°C (400°F)

BENEFITS OF CAT HEAT

- Ice cutters or mechanical means of ice removal are no longer required
- Heat is transferred quickly into the contact wire for maximum de-icing in the shortest time
- Easy installation – low craft sensitivity
- CAT Heat cables stay in place and will not interfere with vehicle operations
- Controls provide reliable, efficient and low-cost operation

APPROVALS

The CAT Heat cables meet all applicable requirements of IEEE 515 and IEEE 515.1 standards.

PRODUCT ORDERING INFORMATION

The CAT Heat cables and controllers are made to order for a given application. The cables are offered as a part of an integrated system with optimized energy efficient design for the given operating conditions. The system includes heater terminations, attachment clips, and telemetry and controls. For additional information contact your Thermal representative or call (800) 545-6258.

[HTTP://LP.PENTAIRTHERMAL.COM/RAIL-AND-TRANSIT-SOLUTIONS](http://lp.pentairthermal.com/rail-and-transit-solutions)

[WWW.PENTAIRTHERMAL.COM](http://www.pentairthermal.com)



NORTH AMERICA

Tel: +1.800.545.6258
Fax: +1.800.527.5703
Tel: +1.650.216.1526
Fax: +1.650.474.7711
thermal.info@pentair.com

EUROPE, MIDDLE EAST, AFRICA

Tel: +32.16.213.511
Fax: +32.16.213.603
thermal.info@pentair.com

ASIA PACIFIC

Tel: +86.21.2412.1688
Fax: +86.21.5426.2937
cn.thermal.info@pentair.com

All Pentair trademarks and logos are owned by Pentair or its global affiliates. All other trademarks are the property of their respective owners. Pentair reserves the right to change specifications without prior notice.

© 2017 Pentair.