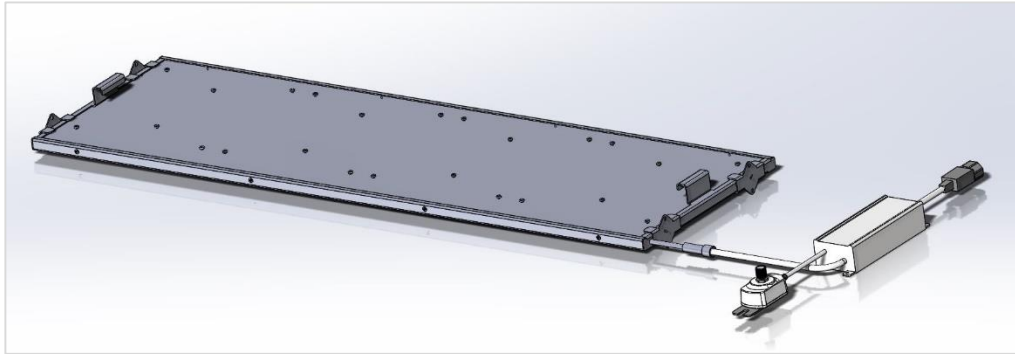


Edge

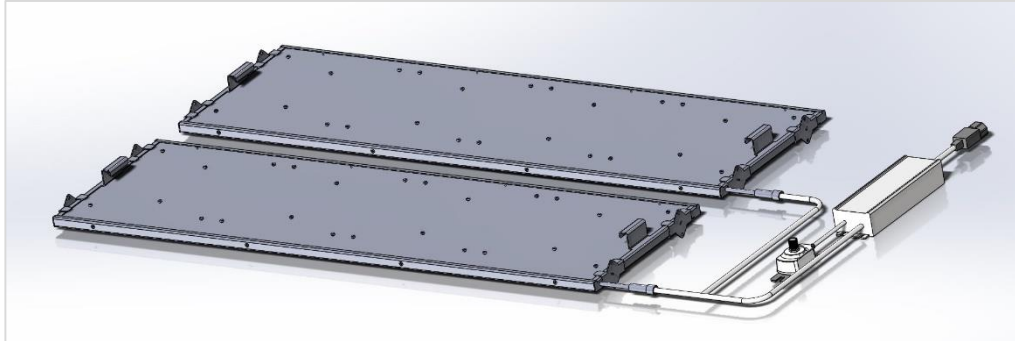
Grow Light, 100-305V, 60W/120W

Data Sheet

Single Configuration



Dual Configuration

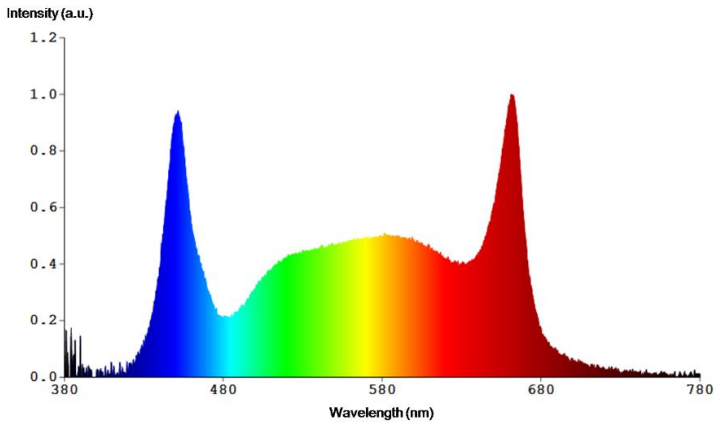


LED001 Specifications

	Min	Max
Input Voltage	100 V _{AC}	305 V _{AC}
Input Frequency	47 Hz	63 Hz
LED Power (single panel)	53.8 W	67.3 W
LED Power (two panels)	107.6 W	134.6 W
Dimming Range	50%	100%
Operating Temperature	-20 °C (-4 °F)	40 °C (104 °F)
Storage Temperature	-30 °C (-22 °F)	60 °C (140 °F)

Panel Input Voltage	24 V _{DC}
Power Factor	0.93
Average PPF _D at 6" ¹ (single panel)	201 μmol/s/m ²
Average PPF _D at 6" ² (two panels)	255 μmol/s/m ²
Thermal Management	Passive
Panel Dimensions ³ (L x W x H)	985 mm x 292 mm x 17 mm (38.8" x 11.5" x 0.67")
Panel Weight ³	3.25 kg (7.2 lbs)
Power Supply Dimensions (L x W x H) (single panel)	180 mm x 63 mm x 36 mm (7.1" x 2.5" x 1.4")
Power Supply Dimensions (L x W x H) (two panels)	222 mm x 68 mm x 39 mm (8.7" x 2.7" x 1.5")
Power Supply Weight (single panel)	0.7 kg (1.5 lbs)
Power Supply Weight (two panels)	1 kg (2.2 lbs)
L70 Rating	50,000 hrs

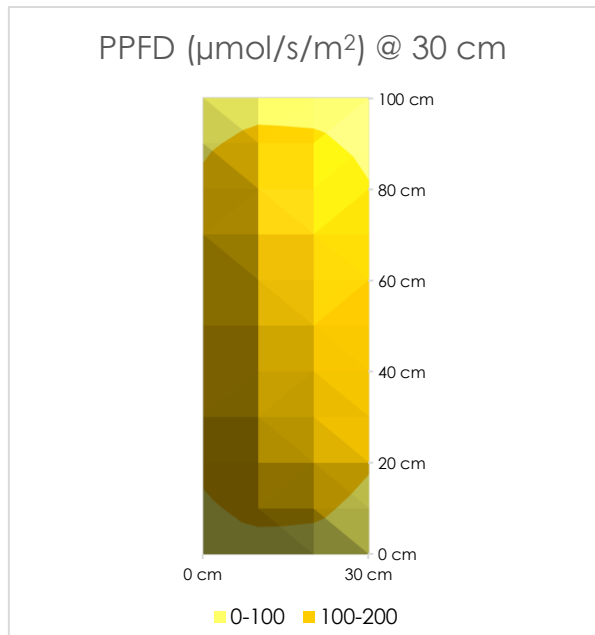
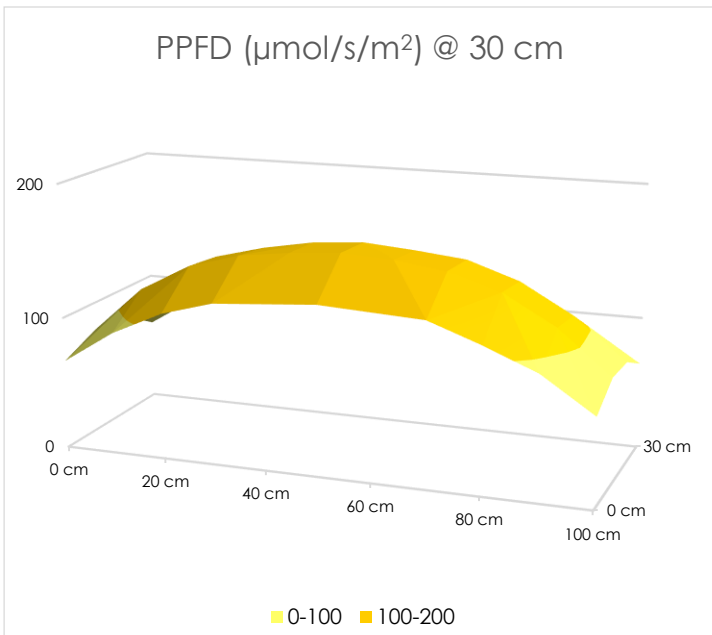
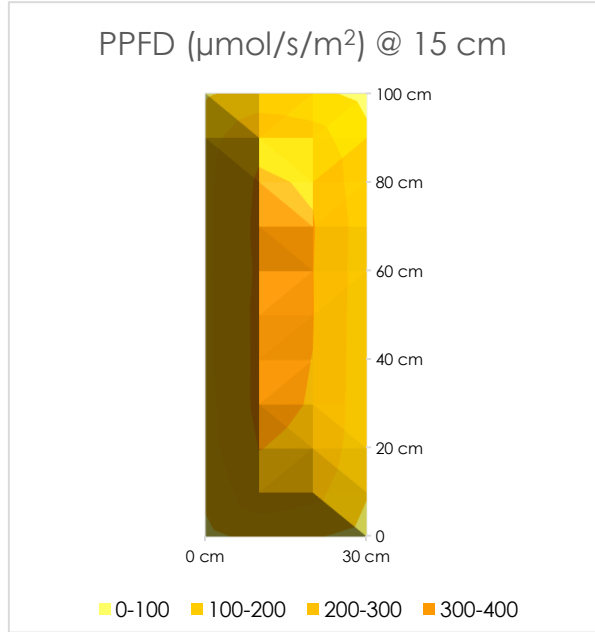
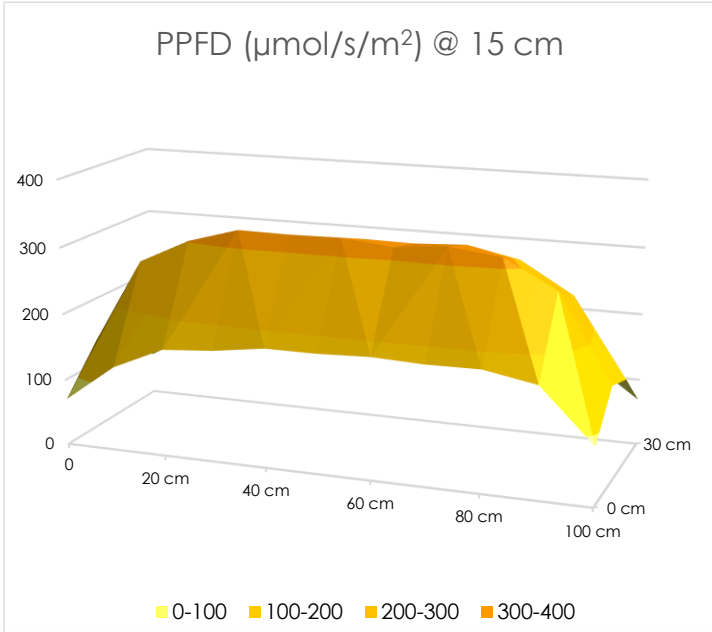
Spectrum



1. Average Photosynthetically Active Photon Flux Density (PPFD) over 12"x40" grow tray at 6" fixture height (top lighting, single tray, no reflective walls)
2. Average Photosynthetically Active Photon Flux Density (PPFD) over 24"x40" grow tray at 6" fixture height (top lighting, single tray, no reflective walls)
3. Without mounting accessories

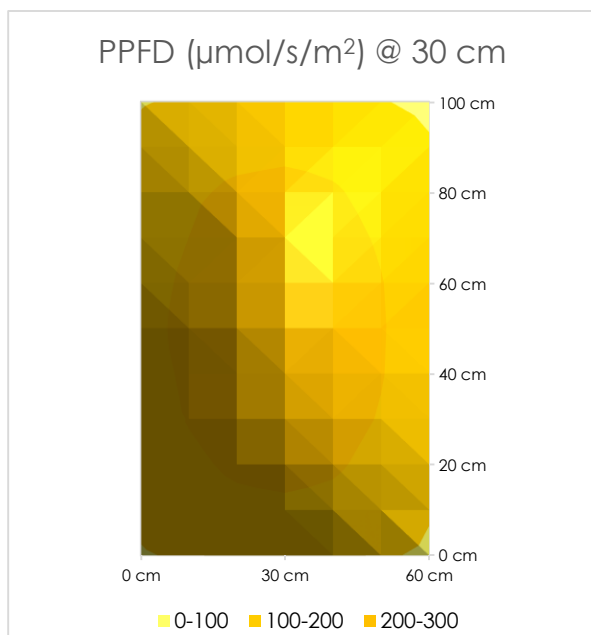
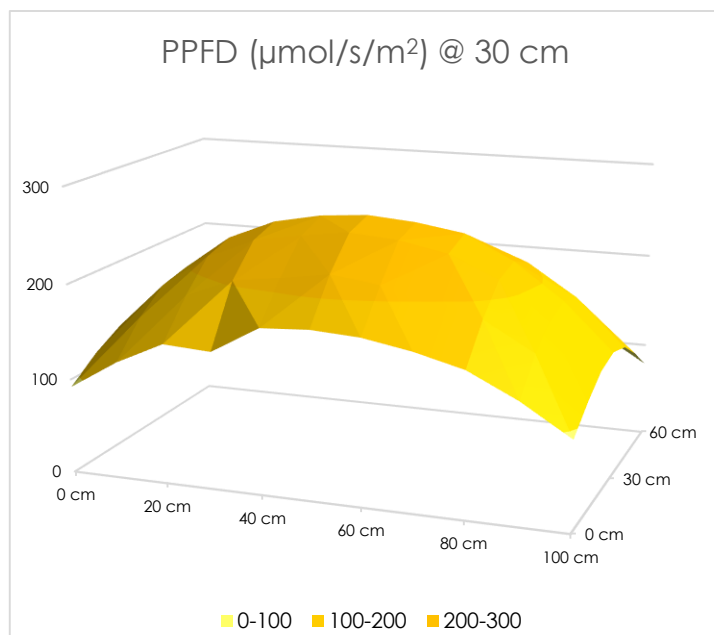
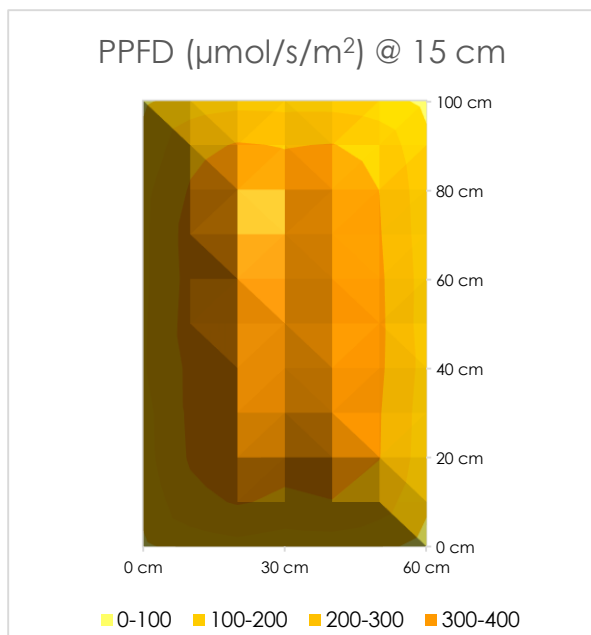
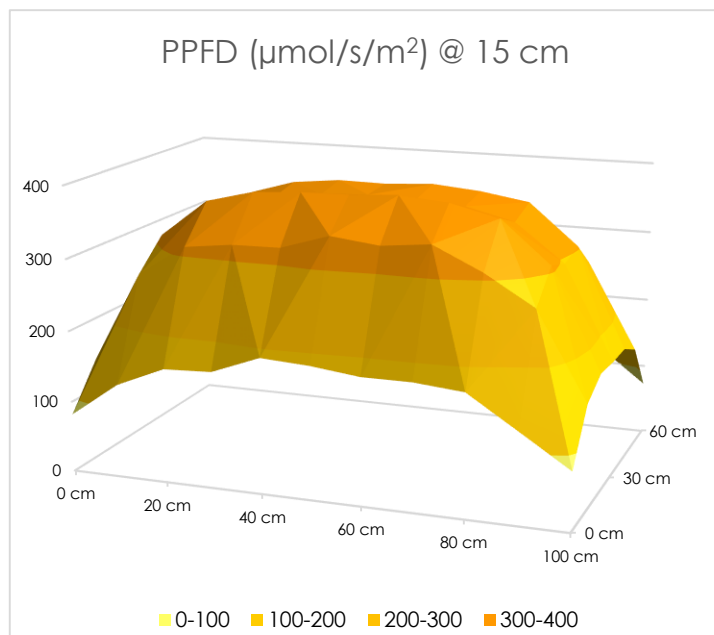
Photon Flux Distribution

Measured at maximum light output with single panel centrally hanging at pre-determined height above a 12"x40" grow area.



Photon Flux Distribution

Measured at maximum light output with dual panel configuration centrally hanging at pre-determined height above a 24"x40" grow area.



A 1281 Reamwood Ave.
Sunnyvale, CA 94089

P 1.800.369.8673

O 1.650.564.3058

E info@aessensegrows.com