

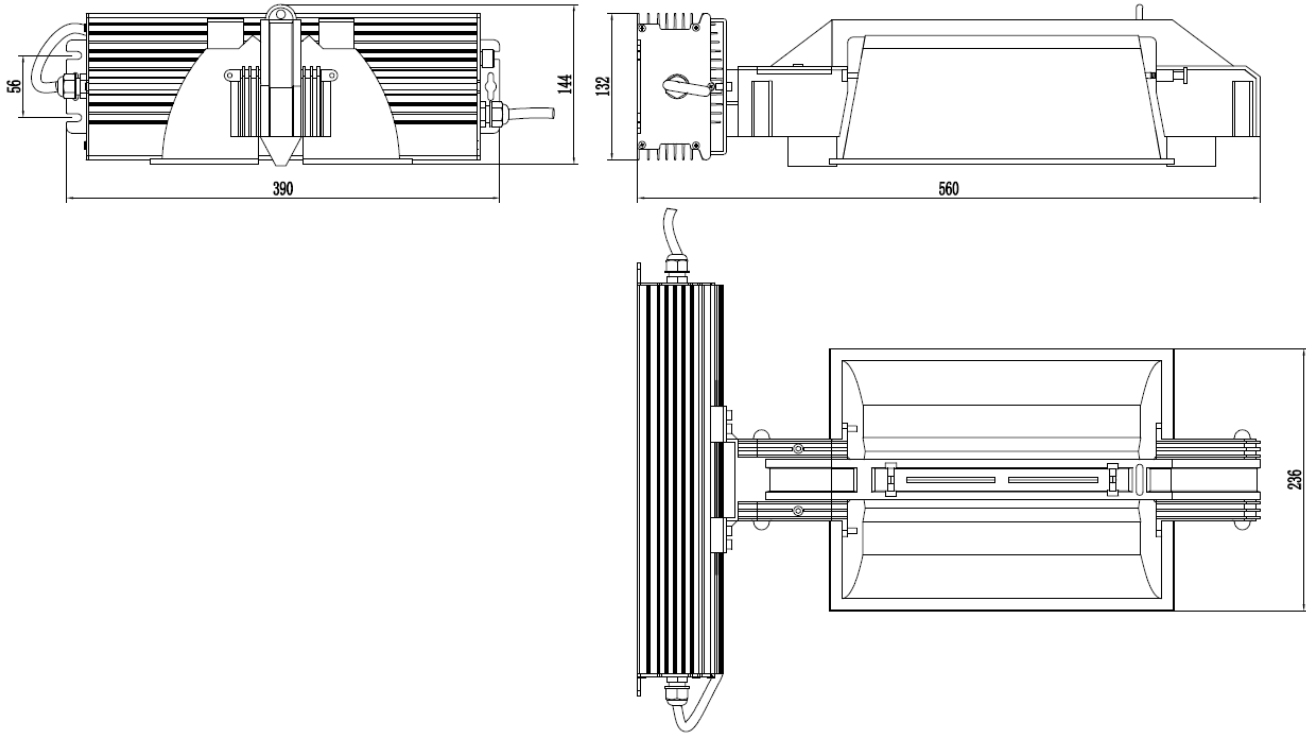


AExcel

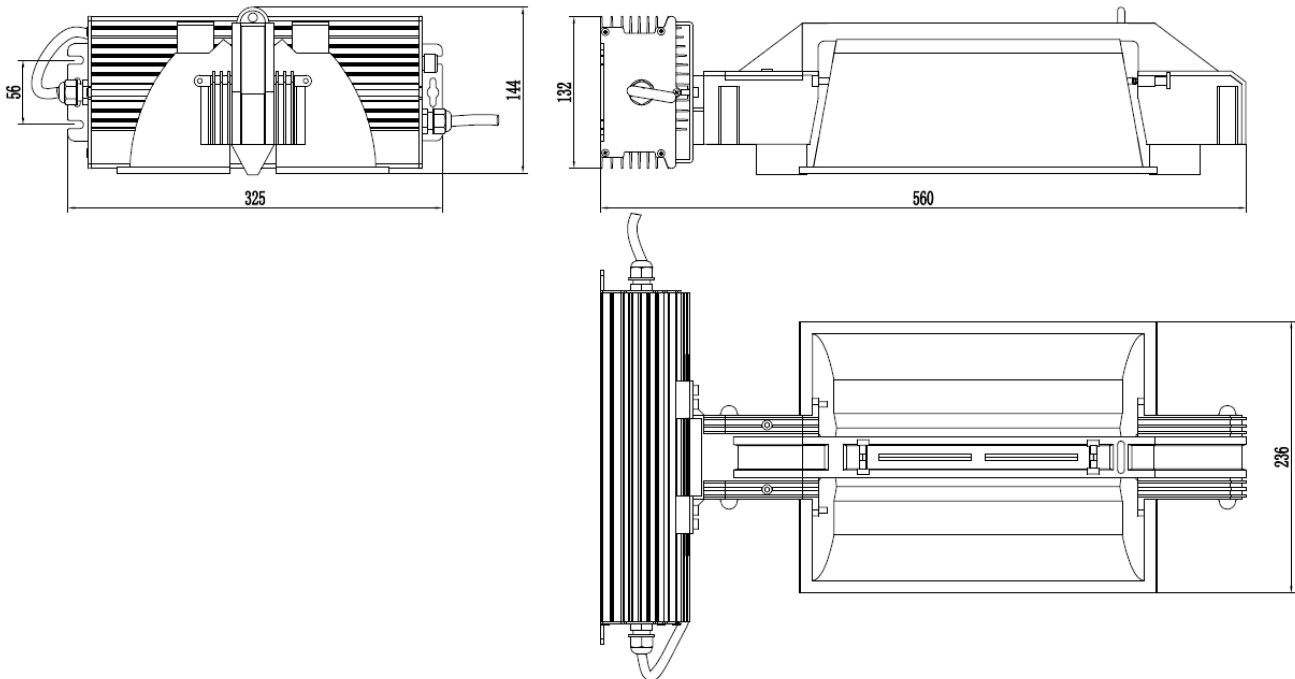
Grow Light, 220V or 110-240V, 1080W

Data Sheet

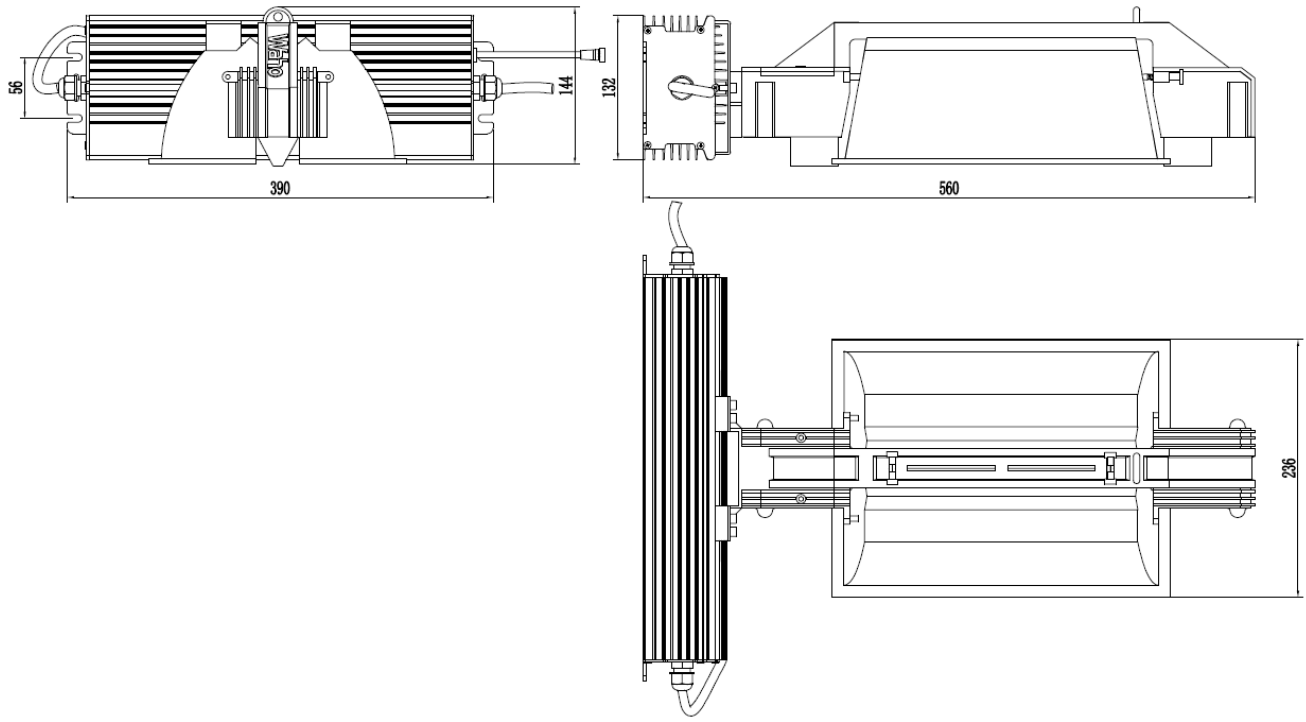
L01-A0002-01, Manual Dimming, 110-240V



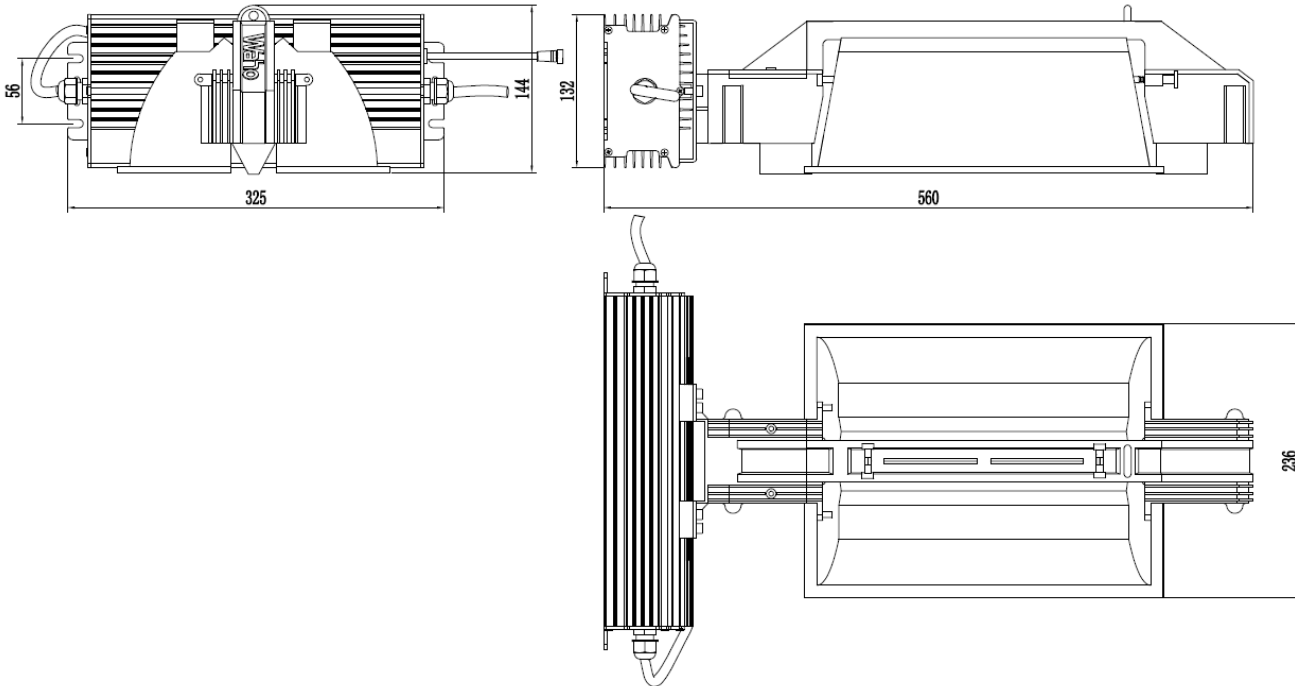
L01-A0001-01, Manual Dimming, 220V



L01-A0004-01, Continuous Dimming, 110-240V



L01-A0003-01, Continuous Dimming, 220V



110-240V Universal Grow Light (L01-A0002-01 and L01-A0004-01)

	Min	Max		
Input Voltage	110 V _{AC}	240 V _{AC}	Ingress Protection	IP54
Input Frequency	50 Hz	60 Hz	Lamp Power	1000 W
AC Power Draw ¹	–	1,224 W	Lamp Voltage	400 V
Heat Output ¹	–	4,177 BTU/h	Average PPF _D at 28" ⁴	504 μmol/s/m ²
Input AC Current ¹ (110 V _{AC} input)	10 A	11 A	Uniformity (CV) at 28" ⁵	0.28
Input AC Current ¹ (240 V _{AC} input)	4.6 A	5.1 A	Over Temperature Protection ²	55 °C (131 °F)
Efficiency (110 V _{AC} input)	92%	95%	Short/Open Circuit Protection	Yes/Yes
Efficiency (240 V _{AC} input)	94.5%	95%	Manual Intensity Control ⁶	Manual Dimming with Knob
Operating Temperature	-15 °C (5 °F)	45 °C (113 °F)	Automated Intensity Control ⁷	Continuous Dimming with 0-10V interface
Enclosure Temperature Increase	–	45 °C (81 °F)	Dimensions ³ (L x W x H)	560 mm x 390 mm x 144 mm (22" x 15.4" x 5.7")
Turn-on Delay Time	1 s	2 s	Weight ³	7.5 kg (16.5 lbs)

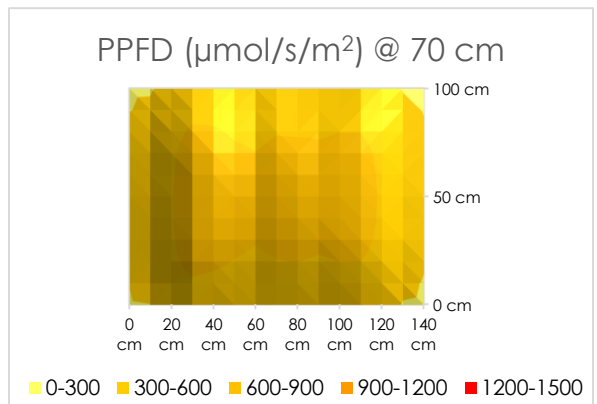
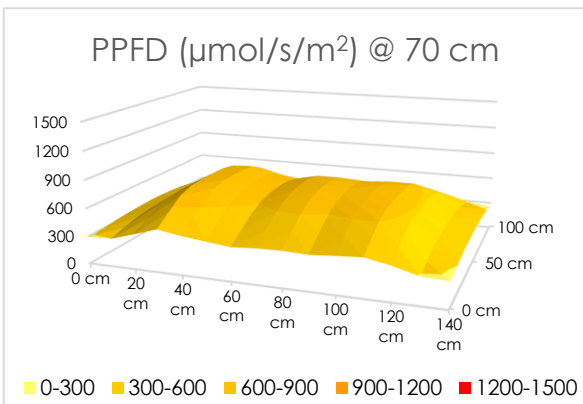
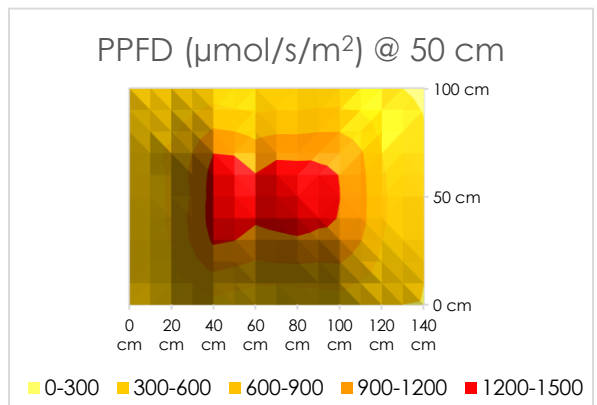
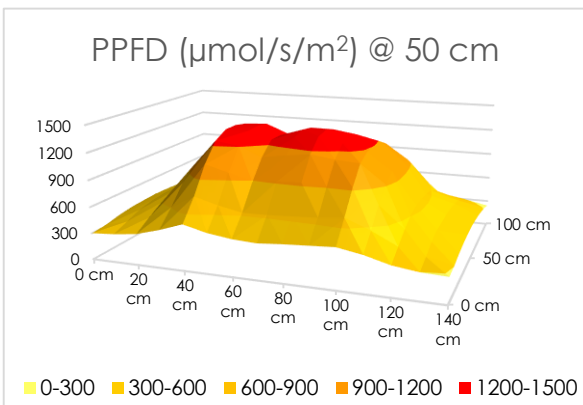
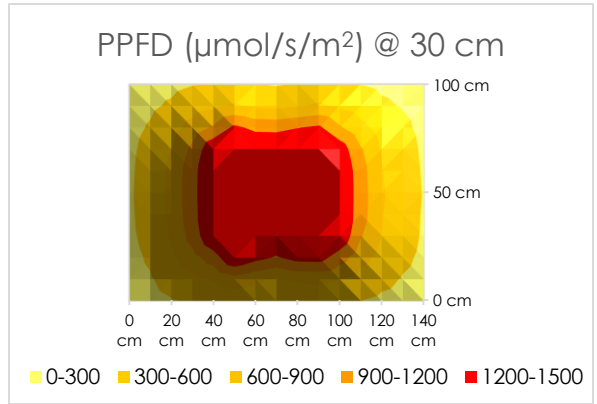
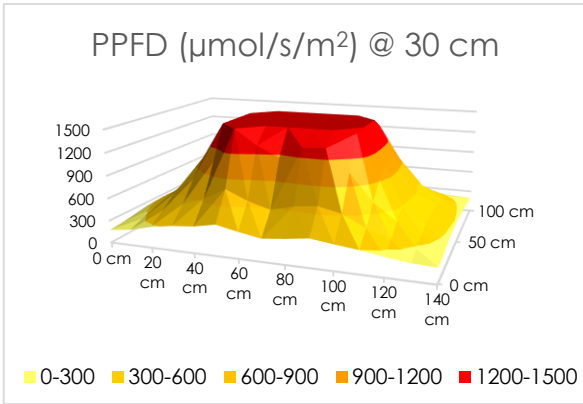
220V Optimized Grow Light (L01-A0001-01 and L01-A0003-01)

	Min	Max		
Input Voltage	175 V _{AC}	265 V _{AC}	Ingress Protection	IP54
Input Frequency	50 Hz	60 Hz	Lamp Power	1000 W
AC Power Draw ¹	–	1,219 W	Lamp Voltage	400 V
Heat Output ¹	–	4,160 BTU/h	Average PPF _D at 28" ⁴	504 μmol/s/m ²
Input AC Current ¹ (175 V _{AC} input)	6.3 A	6.9 A	Uniformity (CV) at 28" ⁵	0.28
Input AC Current ¹ (265 V _{AC} input)	4.1 A	4.6 A	Over Temperature Protection ²	55 °C (131 °F)
Efficiency	92%	95%	Short/Open Circuit Protection	Yes/Yes
Operating Temperature	-15 °C (5 °F)	45 °C (113 °F)	Manual Intensity Control ⁶	Manual Dimming with Knob
Enclosure Temperature Increase	–	45 °C (81 °F)	Automated Intensity Control ⁷	Continuous Dimming with 0-10V interface
Turn-on Delay Time	1 s	2 s	Dimensions ³ (L x W x H)	560 mm x 325 mm x 144 mm (22" x 12.8" x 5.7")
			Weight ³	6.8 kg (15 lbs)

1. Measured at full load (110% intensity)
 2. Ambient temperature threshold
 3. Complete fixture with bulb
 4. Average Photosynthetically Active Photon Flux Density (PPFD) over 40"x50" grow tray at 28" (70 cm) fixture height (100% intensity, measured in isolation, no adjacent grow lights, no reflective walls)
 5. Coefficient of Variation over a 40"x50" grow tray at 28" (70 cm) fixture height (100% intensity, measured in isolation, no adjacent grow lights, no reflective walls)
 6. L01-A0001-01 and L01-A0002-01 only
 7. L01-A0003-01 and L01-A0004-01 only

Photon Flux Distribution ¹

Measured with Blaze HPS bulb running at 1000W (100% setting) with fixture centrally hanging at pre-determined height above a 40"x50" grow area.



1. Average Photosynthetically Active Photon Flux Density (PPFD)

L01-A0001-01: Industrial FXH1000

- Plug type: NEMA 6-15P
- 208V/60Hz
- Manual dimming

L01-A0002-01: Residential FXH1000

- Plug type: NEMA 6-15P
- 120V/60Hz
- Manual dimming

L01-A0003-01: Industrial FXH1000 with automation

- Plug type: NEMA 6-15P
- 208V/60Hz
- Automated dimming

L01-A0004-01: Residential FXH1000 with automation

- Plug type: NEMA 6-15P
- 120V/60Hz
- Automated dimming

A 1281 Reamwood Ave.
Sunnyvale, CA 94089

P 1.800.369.8673

O 1.650.564.3058

E info@aessensegrows.com