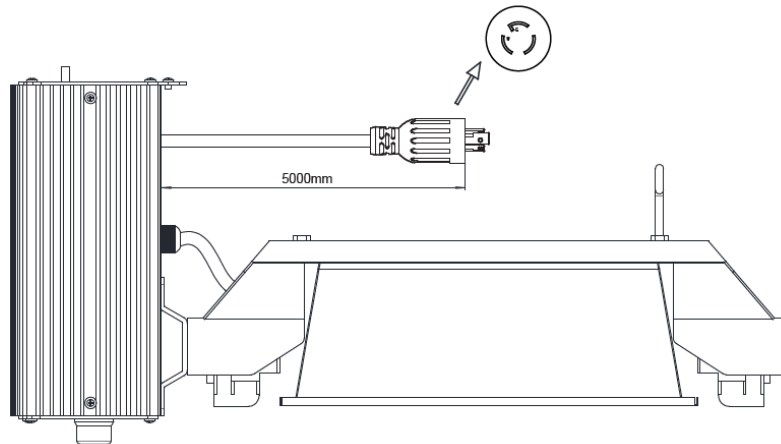
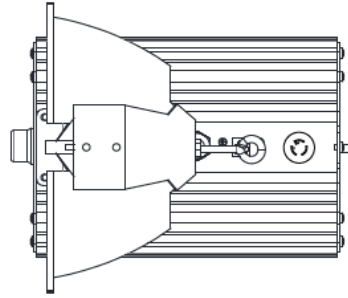
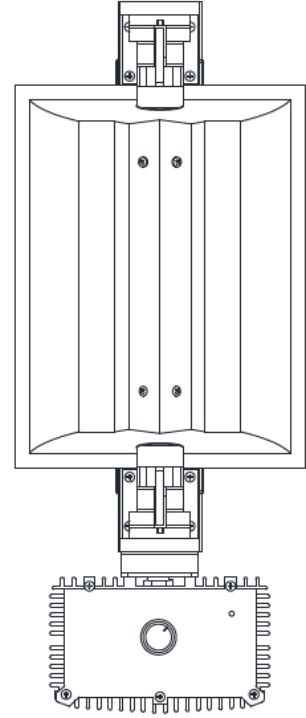
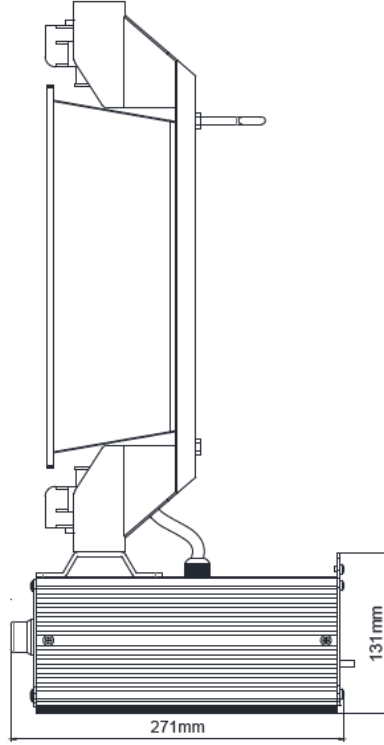
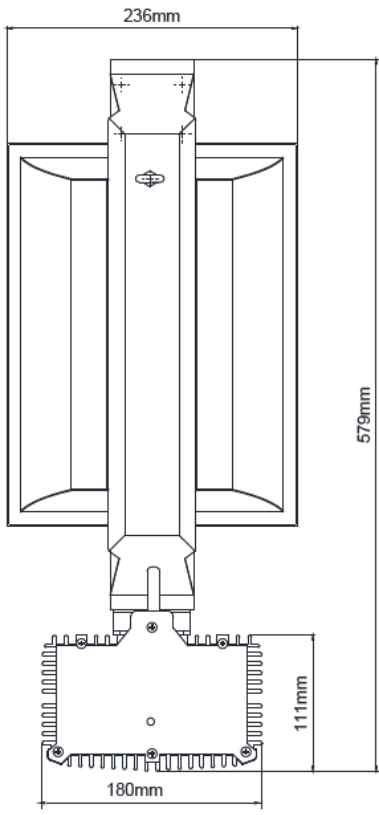


# Aexcel

Grow Light, 277V, 1045W

## Data Sheet



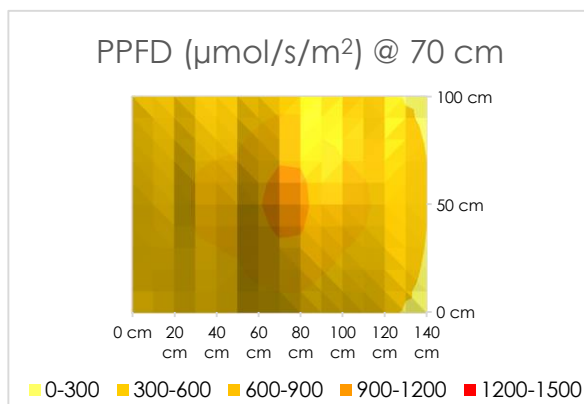
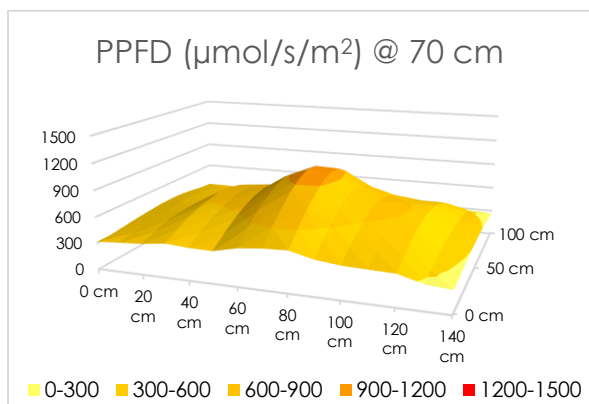
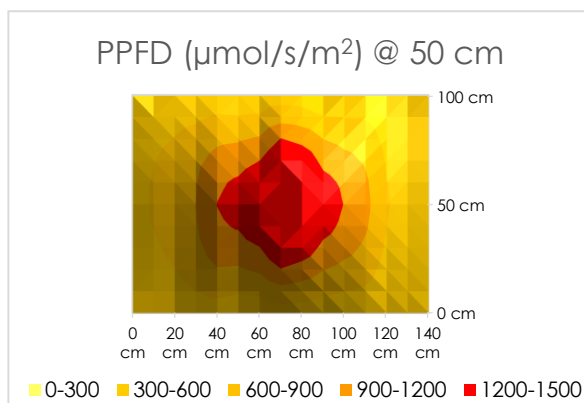
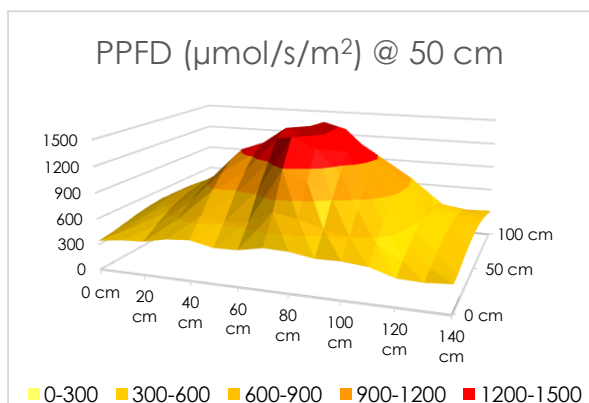
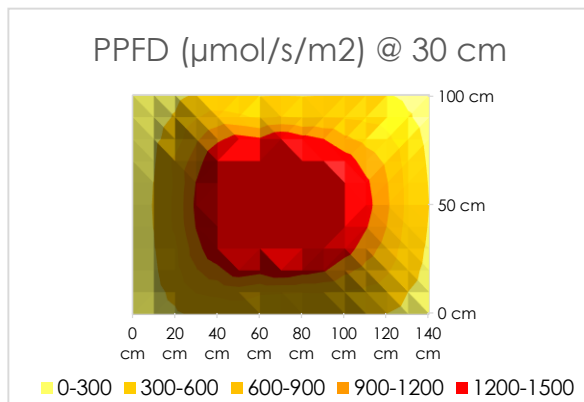
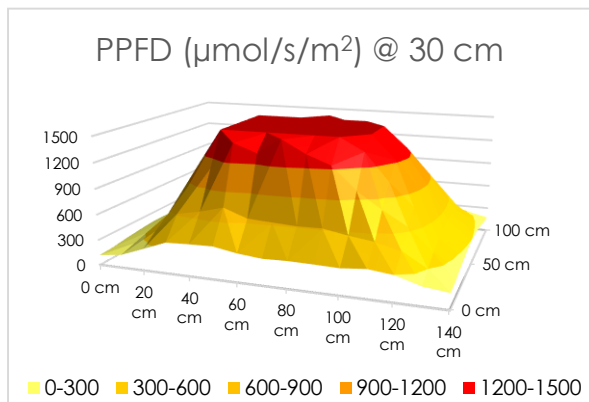


	Min	Max		
Input Voltage	249 V <sub>AC</sub>	305 V <sub>AC</sub>	Lamp Power	1000 W
Input Frequency	50 Hz	60 Hz	Lamp Voltage	400 V
AC Power Draw <sup>1</sup> (277 V <sub>AC</sub> input)	1,045	-	Lamp Ignition Voltage	5 kV
Heat Output <sup>1</sup> (277 V <sub>AC</sub> input)	3,563 BTU/h	-	Average PPFd at 28" <sup>2</sup>	504 μmol/s/m <sup>2</sup>
Input AC Current <sup>1</sup> (277 V <sub>AC</sub> input)	-	3.85 A	Uniformity (CV) at 28" <sup>3</sup>	0.28
Power Factor	0.99	-	Over Temperature Protection	Yes
THD	-	10%	Short/Open Circuit Protection	Yes/Yes
Crest Factor	-	1.7	Ignition Failure Protection	Yes
Lamp Operating Frequency	100 kHz	120 kHz	End of Life Protection	Yes
Operating Temperature	-4 °F (-20 °C)	104 °F (40 °C)	Manual Intensity Control	Step Dimming with Knob
Enclosure Temperature	-	167 °F (75 °C)	Automated Intensity Control	Continuous Dimming with 0-10V interface
Operating Humidity	-	95%	Dimensions <sup>4</sup> (L x W x H)	22.8" x 9.3" x 10.7" (579 mm x 236 mm x 271 mm)
			Weight <sup>4</sup>	13.22 lbs (6 kg)

1. Measured at 1000W setting (100% intensity)
2. Average Photosynthetically Active Photon Flux Density (PPFD) over 40"x50" grow tray at 28" (70 cm) fixture height (100% intensity, measured in isolation, no adjacent grow lights, no reflective walls)
3. Coefficient of Variation over a 40"x50" grow tray at 28" (70 cm) fixture height (100% intensity, measured in isolation, no adjacent grow lights, no reflective walls)
4. Fixture without bulb

# Photon Flux Distribution <sup>1</sup>

Measured in isolation at 100% intensity with fixture centrally hanging at pre-determined height above a 40"x50" grow area.



1. Average Photosynthetically Active Photon Flux Density (PPFD)

**L01-A0009-01:** H1-1000CY1W-GIA for the US and Canada



- Plug type: NEMA 6-15P
- 120V/60Hz and 208V/60Hz
- UL certified

**L01-A0010-01:** H1-1000277Y1X-GIX for the US and Canada



- Plug type: NEMA L7-15P
- 277V/60Hz
- UL certified

A 1281 Reamwood Ave.  
Sunnyvale, CA 94089

P 1.800.369.8673

O 1.650.564.3058

E [info@aessensegrows.com](mailto:info@aessensegrows.com)