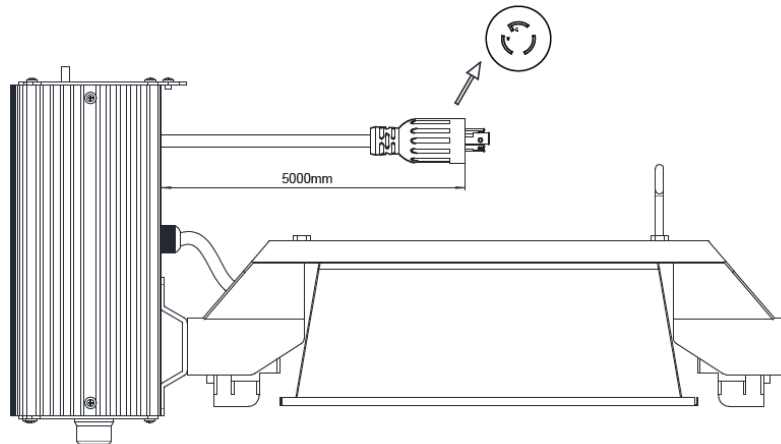
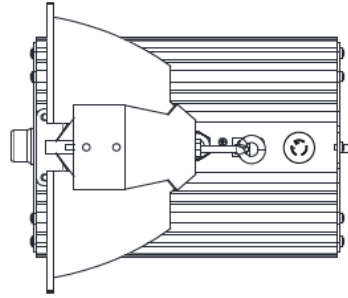
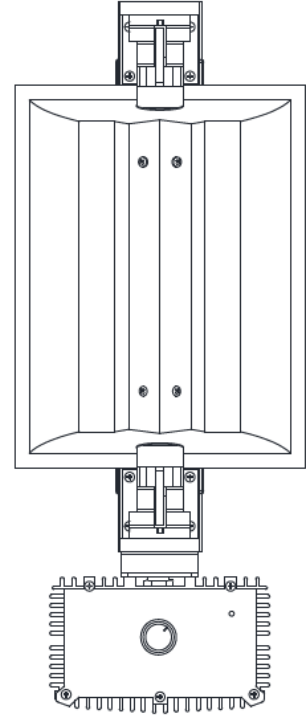
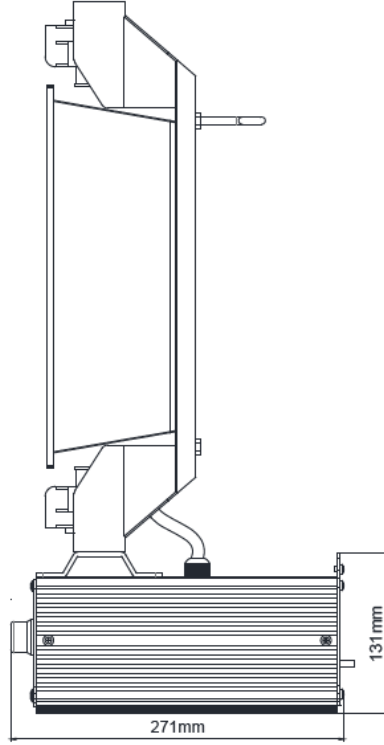
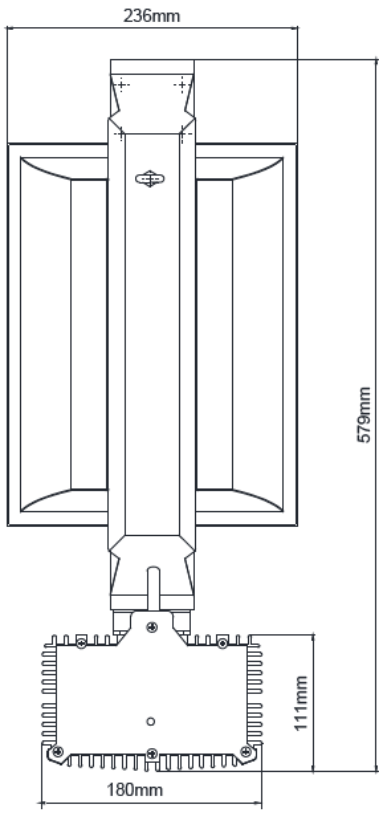


# Excel

Grow Light, 277V, 1045W

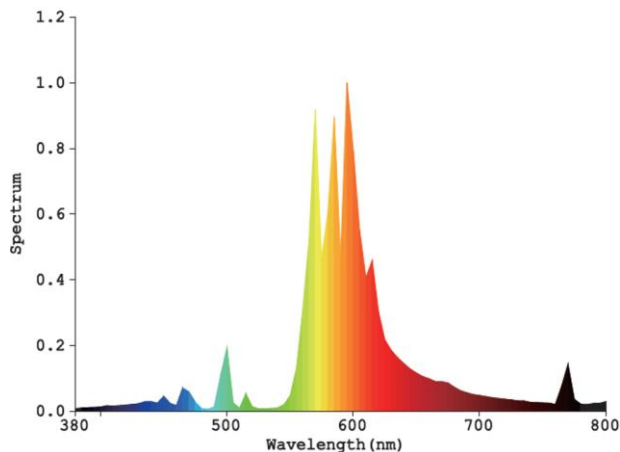
## Data Sheet



# H1-1000277Y1X-GIX Specifications

	Min	Max		
Input Voltage	249 V <sub>AC</sub>	305 V <sub>AC</sub>	Lamp Power	1000 W
Input Frequency	50 Hz	60 Hz	Lamp Voltage	400 V
AC Power Draw <sup>1</sup> (277 V <sub>AC</sub> input)	1,045	-	Lamp Ignition Voltage	5 kV
Heat Output <sup>1</sup> (277 V <sub>AC</sub> input)	3,563 BTU/h	-	Average PPF <sub>D</sub> at 28" <sup>1,2</sup>	650 μmol/s/m <sup>2</sup>
Input AC Current <sup>1</sup> (277 V <sub>AC</sub> input)	-	3.85 A	Average PPF <sub>D</sub> at 28" <sup>1,3</sup>	504 μmol/s/m <sup>2</sup>
Power Factor	0.99	-	Uniformity (CV) at 28" <sup>1,4</sup>	0.28
THD	-	10%	Over Temperature Protection	Yes
Crest Factor	-	1.7	Short/Open Circuit Protection	Yes/Yes
Lamp Operating Frequency	100 kHz	120 kHz	Ignition Failure Protection	Yes
Operating Temperature	-4 °F (-20 °C)	104 °F (40 °C)	End of Life Protection	Yes
Enclosure Temperature	-	167 °F (75 °C)	Manual Intensity Control	Step Dimming with Knob
Operating Humidity	-	95%	Automated Intensity Control	Continuous Dimming with 0-10V interface
			Dimensions <sup>5</sup> (L x W x H)	22.8" x 9.3" x 10.7" (579 mm x 236 mm x 271 mm)
			Weight <sup>5</sup>	13.22 lbs (6 kg)

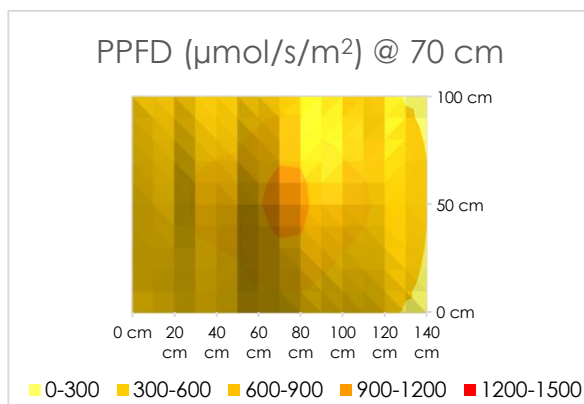
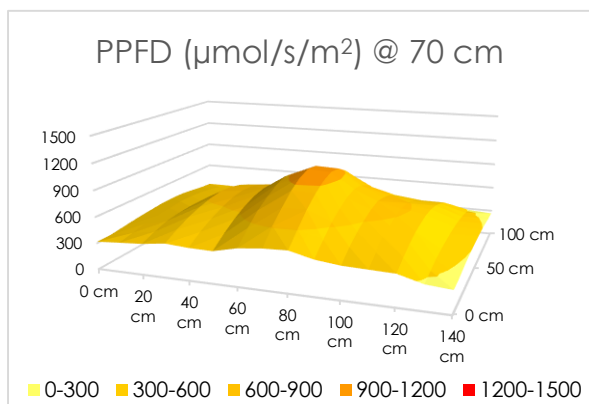
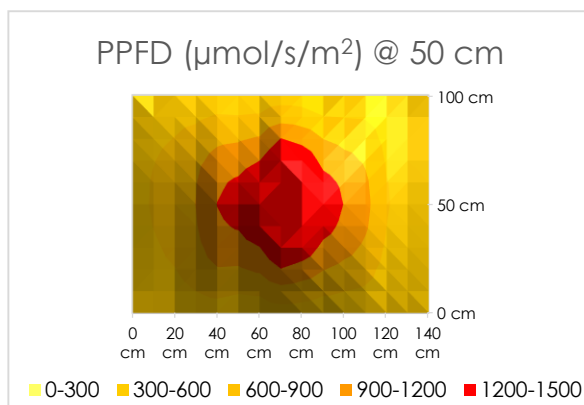
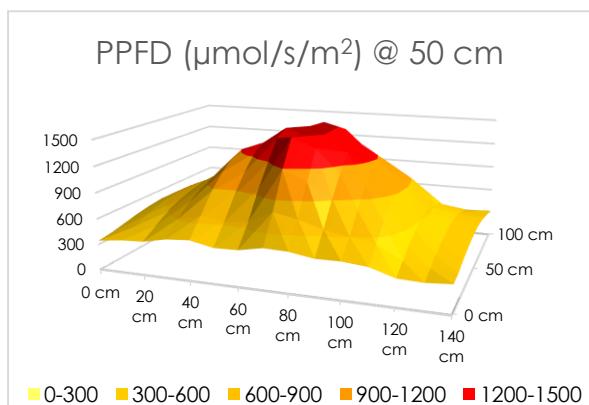
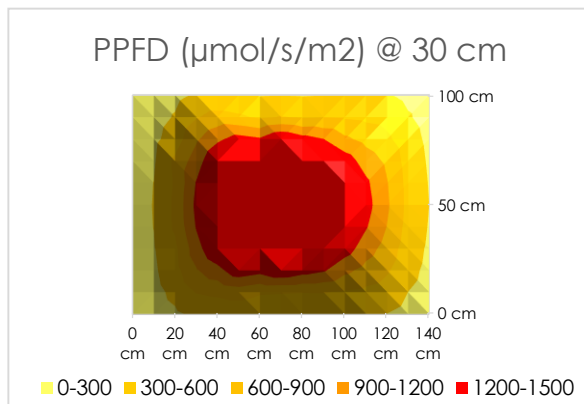
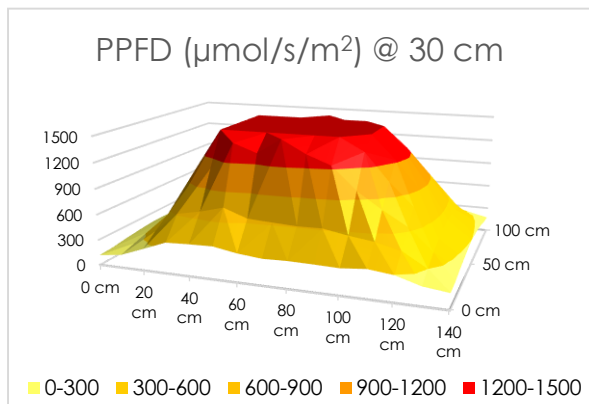
## Typical HPS Spectrum



1. Measured at 1000W setting (100% light intensity)
2. Average Photosynthetically Active Photon Flux Density (PPFD) over 40"x50" grow tray (measured with adjacent grow lights)
3. Average Photosynthetically Active Photon Flux Density (PPFD) over 40"x50" grow tray (measured in isolation, no adjacent grow lights, no reflective walls)
4. Coefficient of Variation over a 40"x50" grow tray at 28" (70 cm) fixture height (measured in isolation, no adjacent grow lights, no reflective walls)
5. Fixture without bulb

# Photon Flux Distribution <sup>1</sup>

Measured in isolation at 100% intensity with fixture centrally hanging at pre-determined height above a 40"x50" grow area.



1. Average Photosynthetically Active Photon Flux Density (PPFD)

**L01-A0009-01:** H1-1000CY1W-GIA for the US and Canada



- Plug type: NEMA 6-15P
- 120V/60Hz and 208V/60Hz
- UL certified

**L01-A0010-01:** H1-1000277Y1X-GIX for the US and Canada



- Plug type: NEMA L7-15P
- 277V/60Hz
- UL certified

A 1281 Reamwood Ave.  
Sunnyvale, CA 94089

P 1.800.369.8673

O 1.650.564.3058

E [info@aessensegrows.com](mailto:info@aessensegrows.com)