

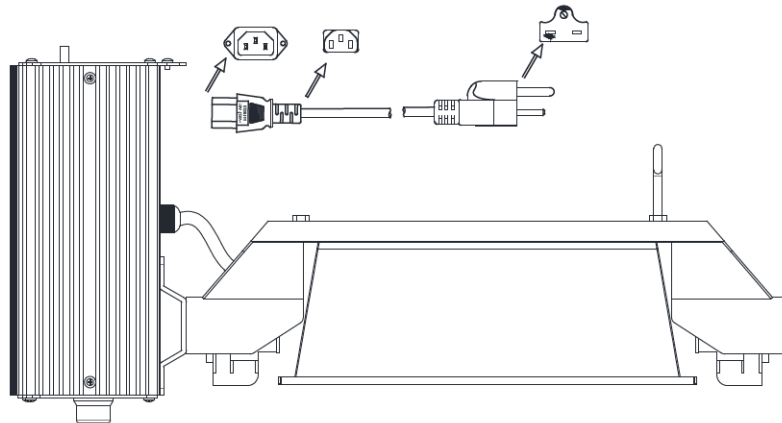
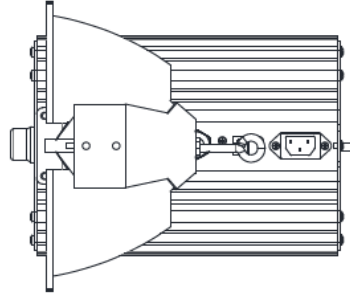
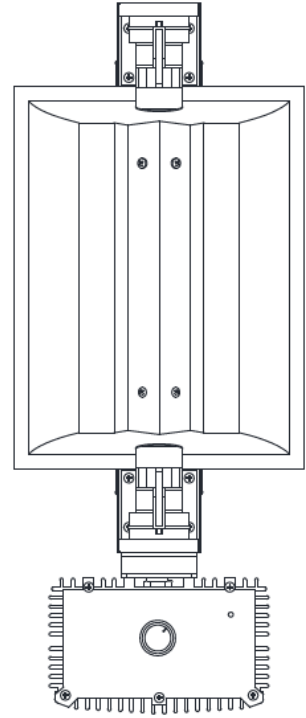
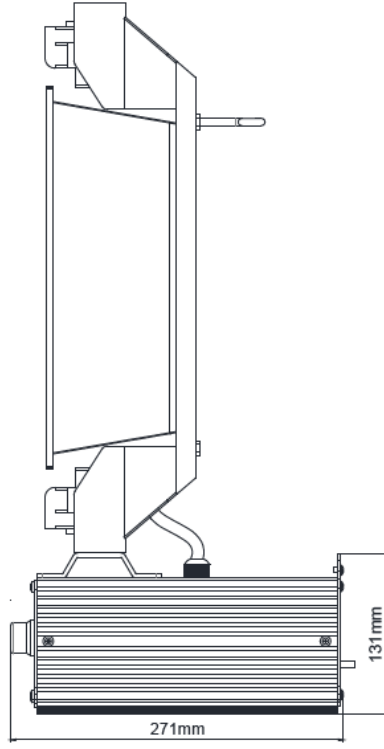
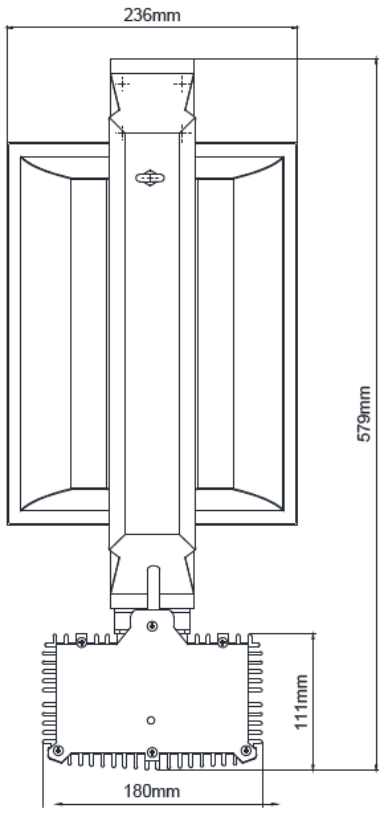


Excel

Grow Light, 120V/208/230V, 1055W

Data Sheet



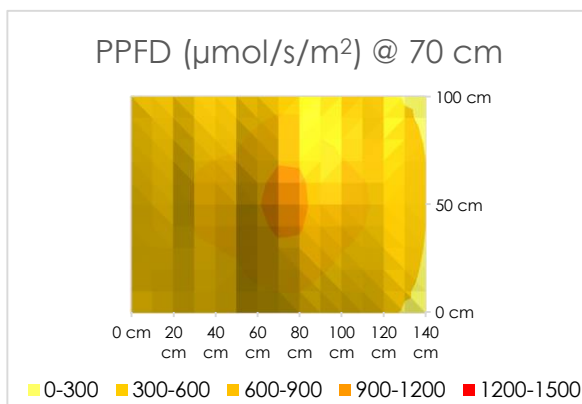
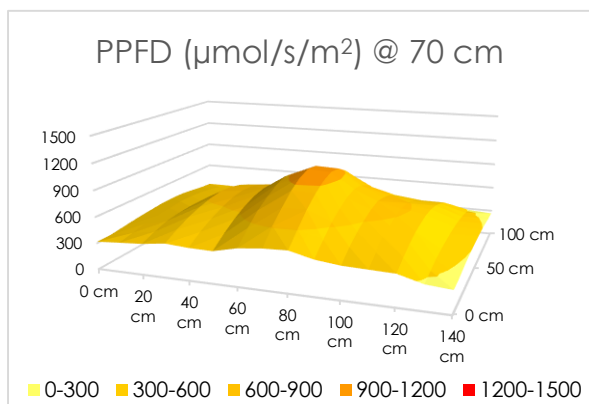
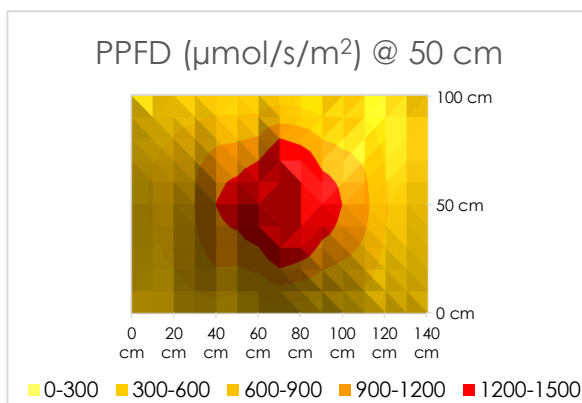
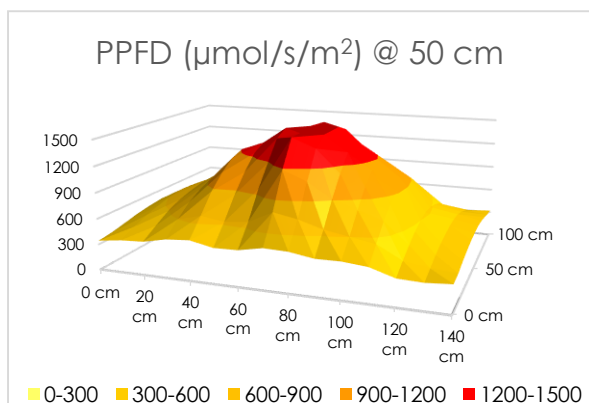
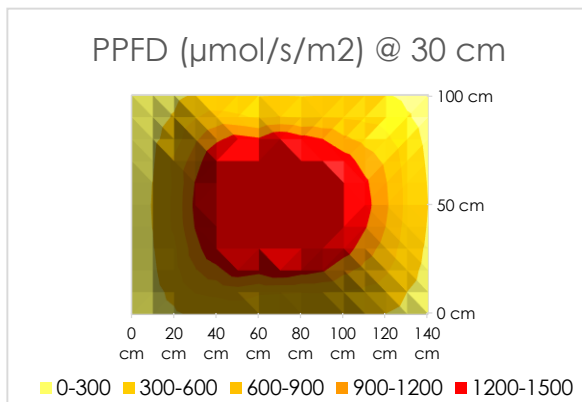
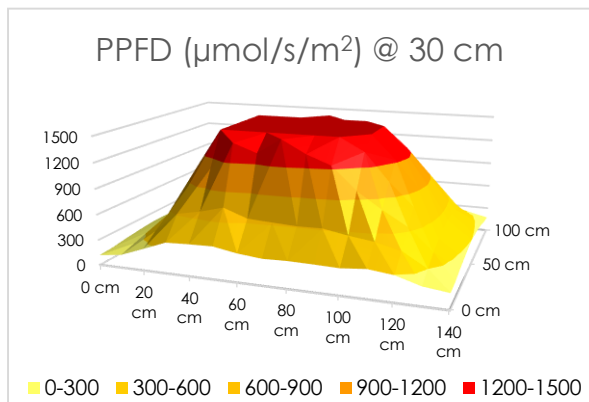


	Min	Max		
Input Voltage	108 V _{AC}	264 V _{AC}	Lamp Power	1000 W
Input Frequency	50 Hz	60 Hz	Lamp Voltage	400 V
AC Power Draw ¹ (240 V _{AC} input)	-	1,055 W	Lamp Ignition Voltage	5 kV
AC Power Draw ¹ (120 V _{AC} input)	-	1,085 W	Average PPFd at 28" ³	504 μmol/s/m ²
Heat Output ¹ (240 V _{AC} input)	-	3,598 BTU/h	Uniformity (CV) at 28" ⁴	0.28
Heat Output ¹ (120 V _{AC} input)	-	3,700 BTU/h	Over Temperature Protection	Yes
Input AC Current ² (120 V _{AC} input)	-	9.3 A	Short/Open Circuit Protection	Yes/Yes
Input AC Current ² (240 V _{AC} input)	-	4.6 A	Ignition Failure Protection	Yes
Power Factor	0.99	-	End of Life Protection	Yes
THD	-	10%	Manual Intensity Control	Step Dimming with Knob
Crest Factor	-	1.7	Automated Intensity Control	Continuous Dimming with 0-10V interface
Lamp Operating Frequency	100 kHz	120 kHz	Dimensions ⁵ (L x W x H)	22.8" x 9.3" x 10.7" (579 mm x 236 mm x 271 mm)
Operating Temperature	-4 °F (-20 °C)	104 °F (40 °C)	Weight ⁵	13.22 lbs (6 kg)
Enclosure Temperature	-	167 °F (75 °C)		
Operating Humidity	-	95%		

1. Measured at 1000W setting (100% intensity)
 2. Measured at 1150W setting (115% intensity)
 3. Average Photosynthetically Active Photon Flux Density (PPFD) over 40"x50" grow tray at 28" (70 cm) fixture height (100% intensity, measured in isolation, no adjacent grow lights, no reflective walls)
 4. Coefficient of Variation over a 40"x50" grow tray at 28" (70 cm) fixture height (100% intensity, measured in isolation, no adjacent grow lights, no reflective walls)
 5. Fixture without bulb

Photon Flux Distribution ¹

Measured in isolation at 100% intensity with fixture centrally hanging at pre-determined height above a 40"x50" grow area.



1. Average Photosynthetically Active Photon Flux Density (PPFD)

L01-A0009-01: H1-1000CY1W-GIA for the US and Canada



- Plug type: NEMA 6-15P
- 120V/60Hz and 208V/60Hz
- UL certified

L01-A0010-01: H1-1000277Y1X-GIX for the US and Canada



- Plug type: NEMA L7-15P
- 277V/60Hz
- UL certified

A 1281 Reamwood Ave.
Sunnyvale, CA 94089

P 1.800.369.8673

O 1.650.564.3058

E info@aessensegrows.com