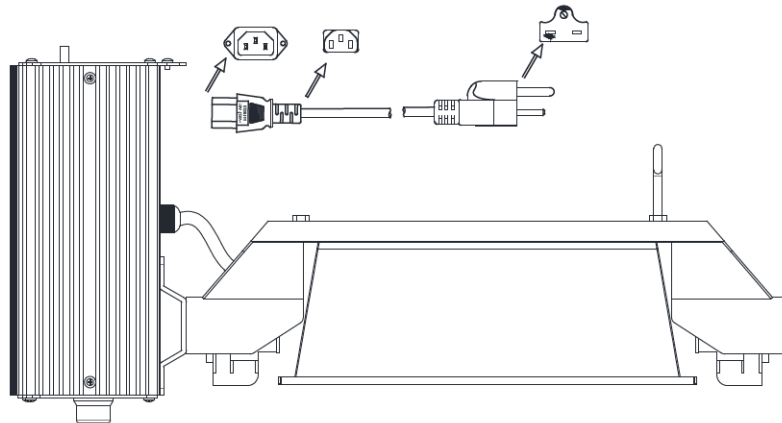
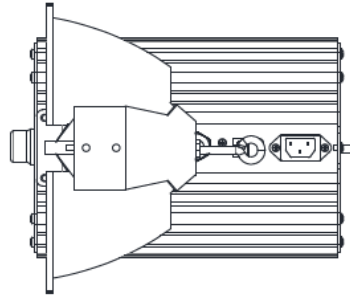
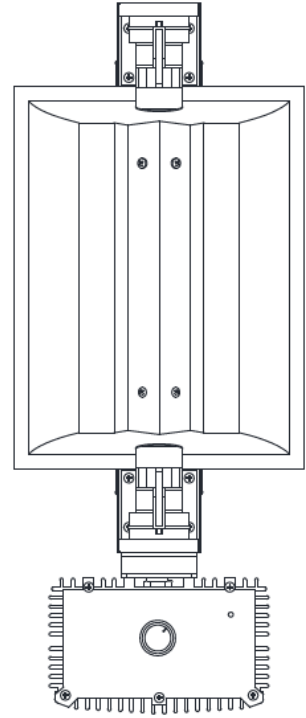
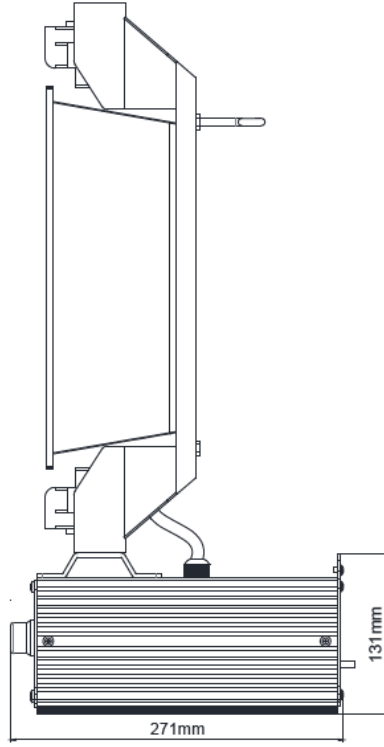
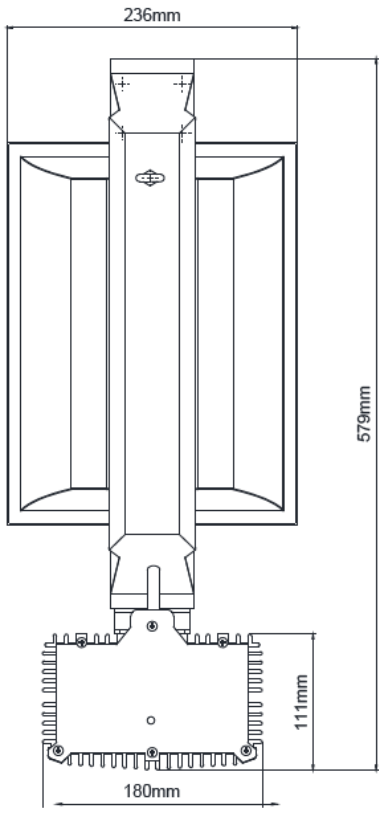




AExcel

Grow Light, 120V/208V/230V, 1055W

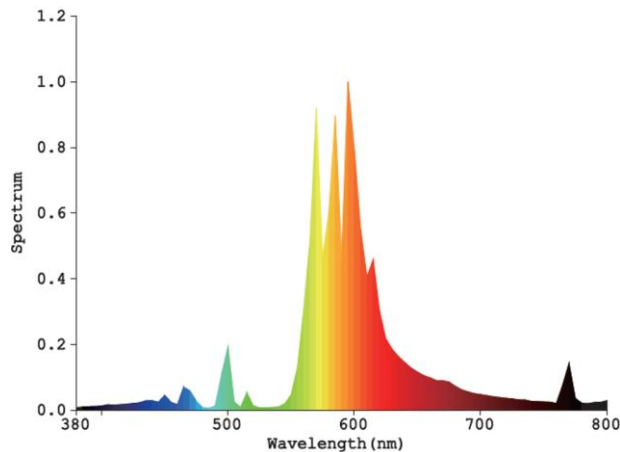
Data Sheet



H1-1000CY1W-GIA Specifications

	Min	Max		
Input Voltage	108 V _{AC}	264 V _{AC}	Lamp Power	1000 W
Input Frequency	50 Hz	60 Hz	Lamp Voltage	400 V
AC Power Draw ¹ (240 V _{AC} input)	-	1,055 W	Lamp Ignition Voltage	5 kV
AC Power Draw ¹ (120 V _{AC} input)	-	1,085 W	Average PPFd at 28" ^{1,3}	650 μmol/s/m ²
Heat Output ¹ (240 V _{AC} input)	-	3,598 BTU/h	Average PPFd at 28" ^{1,4}	504 μmol/s/m ²
Heat Output ¹ (120 V _{AC} input)	-	3,700 BTU/h	Uniformity (CV) at 28" ^{1,5}	0.28
Input AC Current ² (120 V _{AC} input)	-	9.3 A	Over Temperature Protection	Yes
Input AC Current ² (240 V _{AC} input)	-	4.6 A	Short/Open Circuit Protection	Yes/Yes
Power Factor	0.99	-	Ignition Failure Protection	Yes
THD	-	10%	End of Life Protection	Yes
Crest Factor	-	1.7	Manual Intensity Control	Step Dimming with Knob
Lamp Operating Frequency	100 kHz	120 kHz	Automated Intensity Control	Continuous Dimming with 0-10V interface
Operating Temperature	-4 °F (-20 °C)	104 °F (40 °C)	Dimensions ⁶ (L x W x H)	22.8" x 9.3" x 10.7" (579 mm x 236 mm x 271 mm)
Enclosure Temperature	-	167 °F (75 °C)	Weight ⁶	13.22 lbs (6 kg)
Operating Humidity	-	95%		

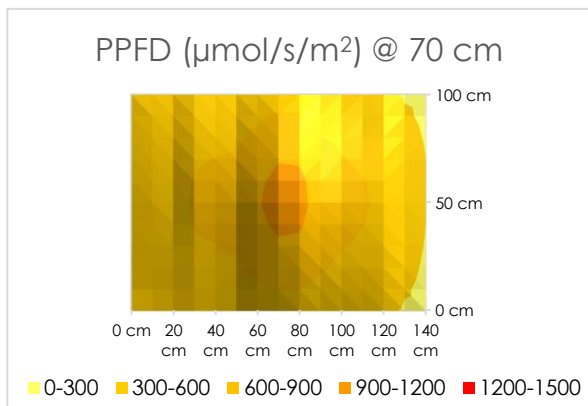
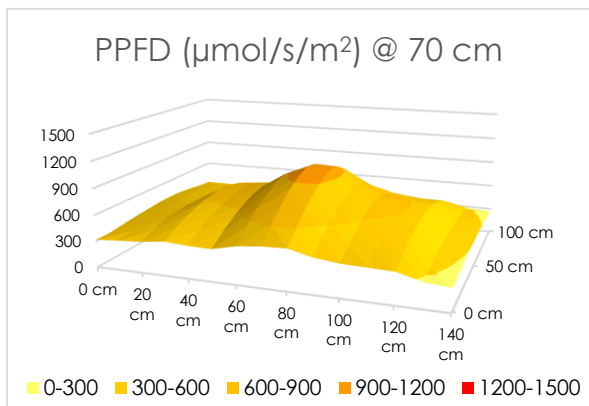
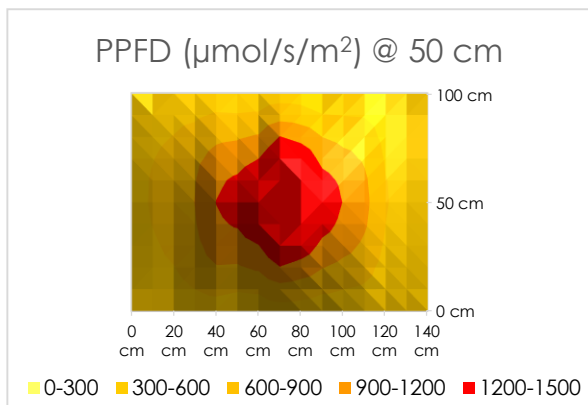
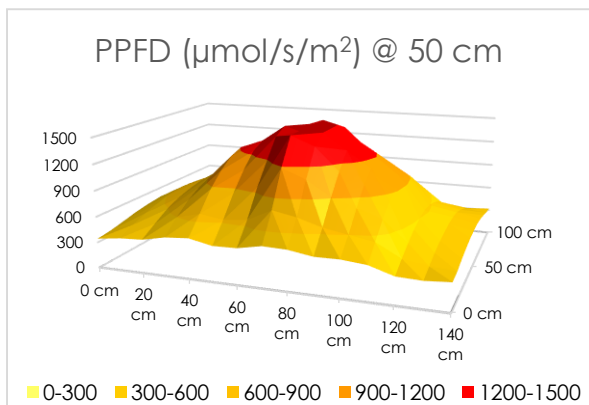
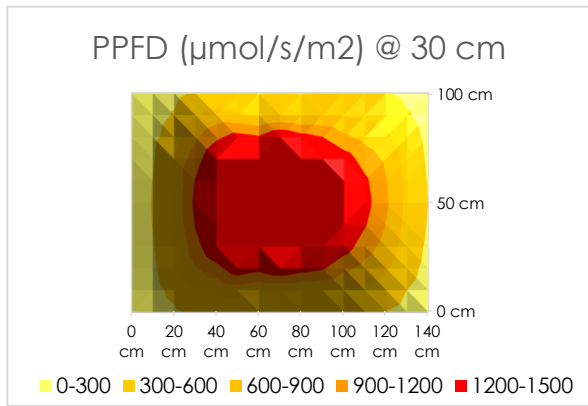
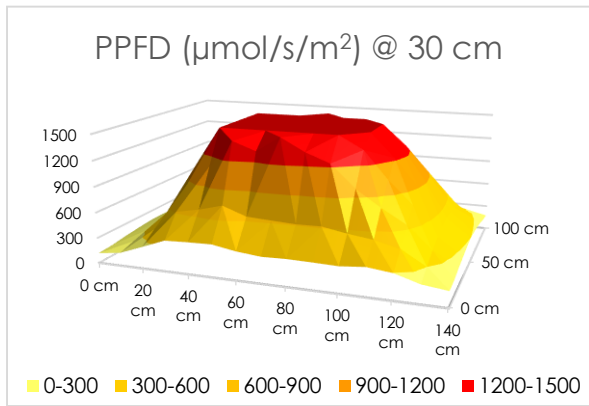
Typical HPS Spectrum



1. Measured at 1000W setting (100% light intensity)
2. Measured at 1150W setting (115% light intensity)
3. Average Photosynthetically Active Photon Flux Density (PPFD) over 40"x50" grow tray (measured with adjacent grow lights)
4. Average Photosynthetically Active Photon Flux Density (PPFD) over 40"x50" grow tray (measured in isolation, no adjacent grow lights, no reflective walls)
5. Coefficient of Variation over a 40"x50" grow tray at 28" (70 cm) fixture height (measured in isolation, no adjacent grow lights, no reflective walls)
6. Fixture without bulb

Photon Flux Distribution ¹

Measured in isolation at 100% intensity with fixture centrally hanging at pre-determined height above a 40"x50" grow area.



1. Average Photosynthetically Active Photon Flux Density (PPFD)

L01-A0009-01: H1-1000CY1W-GIA for the US and Canada



- Plug type: NEMA 6-15P
- 120V/60Hz and 208V/60Hz
- UL certified

L01-A0010-01: H1-1000277Y1X-GIX for the US and Canada



- Plug type: NEMA L7-15P
- 277V/60Hz
- UL certified

A 1281 Reamwood Ave.
Sunnyvale, CA 94089

P 1.800.369.8673

O 1.650.564.3058

E info@aessensegrows.com