

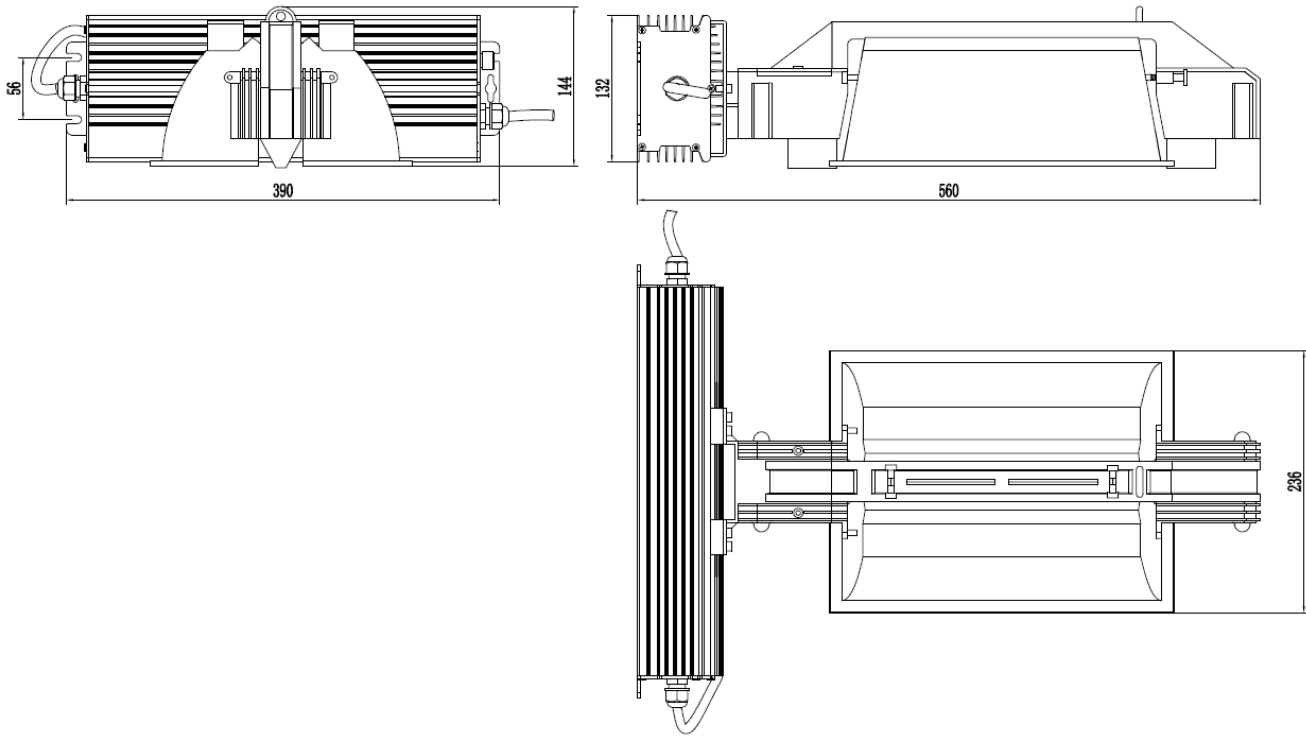


# Excel

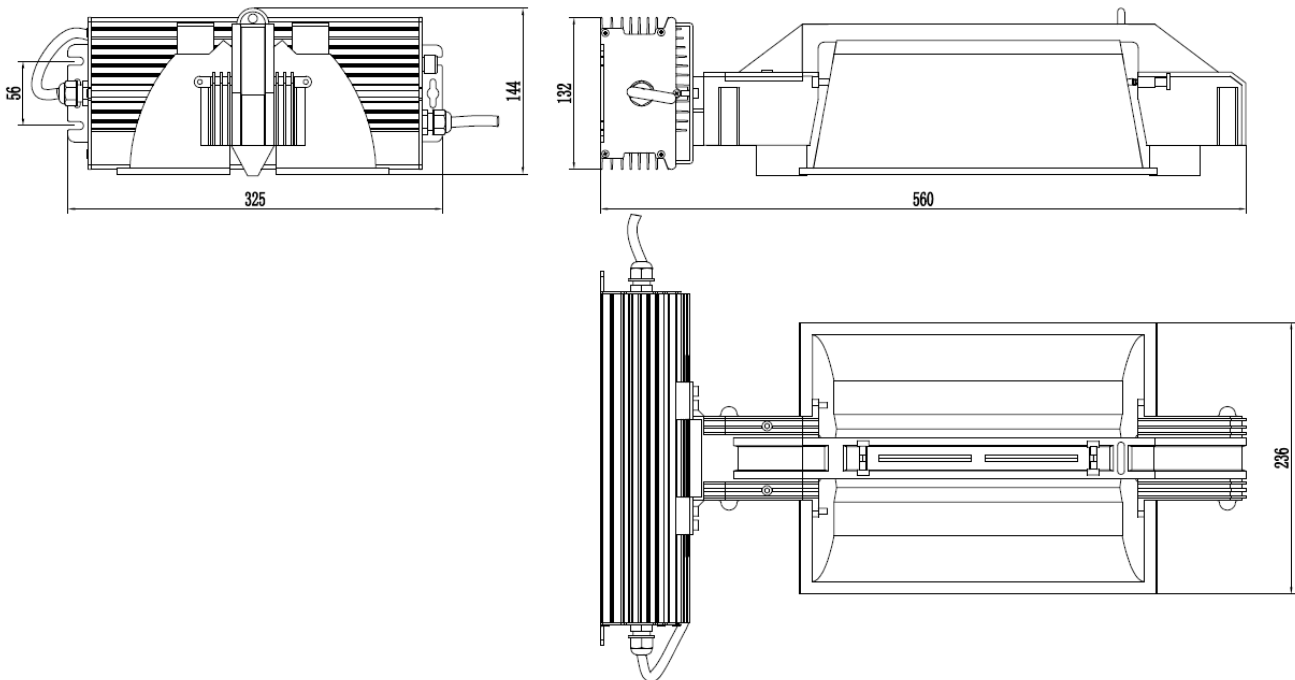
Grow Light, 220V or 110-240V, 1000W

## Data Sheet

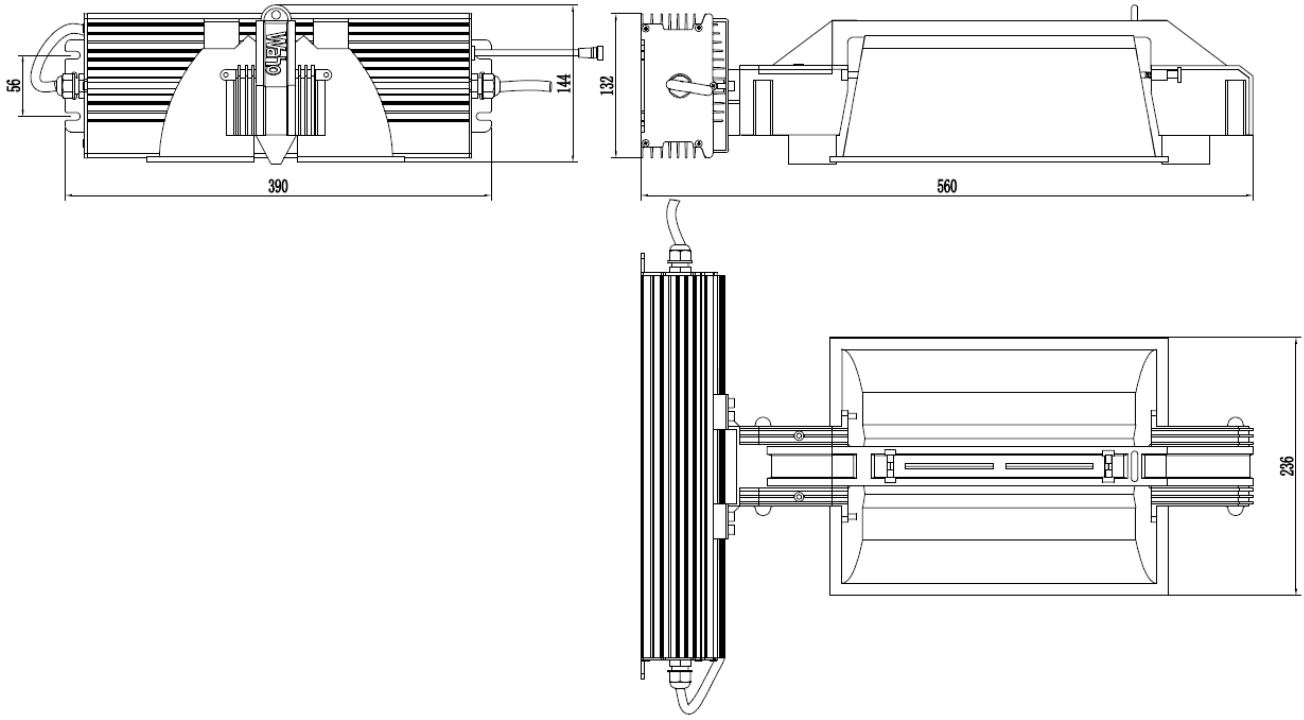
### L01-A0002-01, Manual Dimming, 110-240V



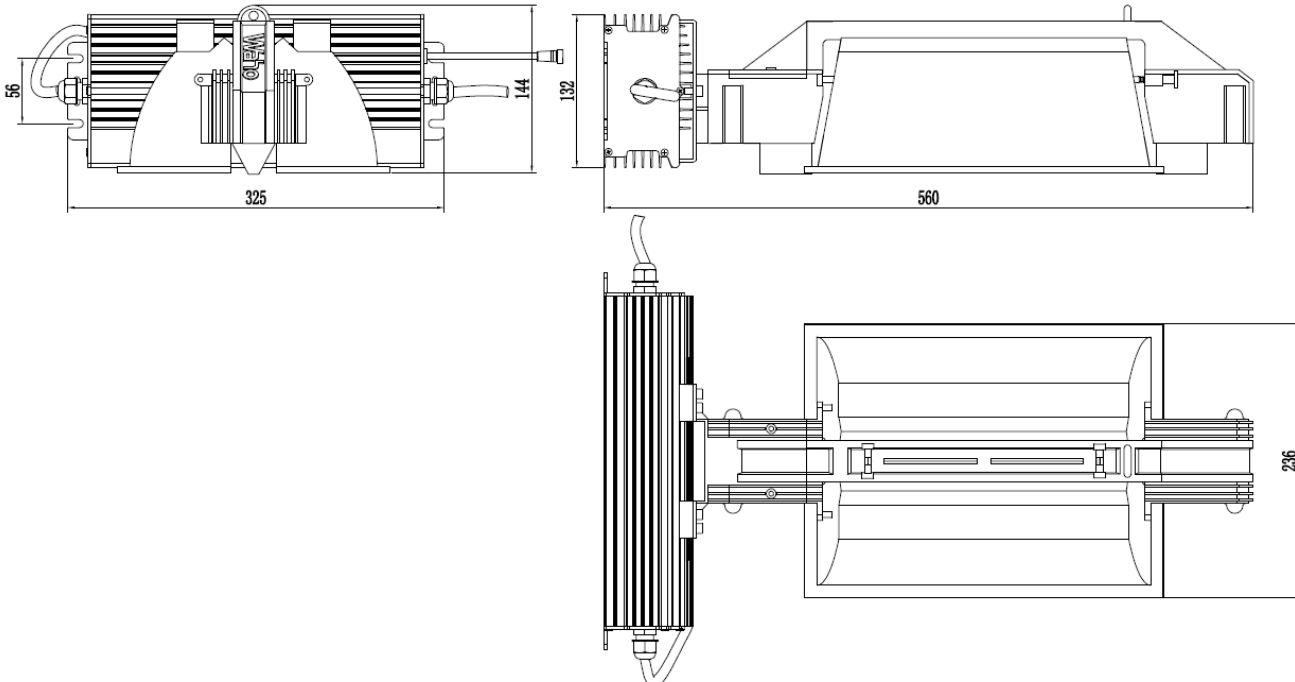
### L01-A0001-01, Manual Dimming, 220V



### L01-A0004-01, Continuous Dimming, 110-240V



### L01-A0003-01, Continuous Dimming, 220V



## 110-240V Universal Grow Light (L01-A0002-01 and L01-A0004-01)

	Min	Max		
Input Voltage	110 V <sub>AC</sub>	240 V <sub>AC</sub>	Ingress Protection	IP54
Input Frequency	50 Hz	60 Hz	Lamp Power	1000 W
AC Power Draw <sup>1</sup>	–	1,224 W	Lamp Voltage	400 V
Heat Output <sup>1</sup>	–	4,177 BTU/h	Average PPF <sub>D</sub> at 28" <sup>4</sup>	504 μmol/s/m <sup>2</sup>
Input AC Current <sup>1</sup> (110 V <sub>AC</sub> input)	10 A	11 A	Uniformity (CV) at 28" <sup>5</sup>	0.28
Input AC Current <sup>1</sup> (240 V <sub>AC</sub> input)	4.6 A	5.1 A	Over Temperature Protection <sup>2</sup>	55 °C (131 °F)
Efficiency (110 V <sub>AC</sub> input)	92%	95%	Short/Open Circuit Protection	Yes/Yes
Efficiency (240 V <sub>AC</sub> input)	94.5%	95%	Manual Intensity Control <sup>6</sup>	Manual Dimming with Knob
Operating Temperature	-15 °C (5 °F)	45 °C (113 °F)	Automated Intensity Control <sup>7</sup>	Continuous Dimming with 0-10V interface
Enclosure Temperature Increase	–	45 °C (81 °F)	Dimensions <sup>3</sup> (L x W x H)	560 mm x 390 mm x 144 mm (22" x 15.4" x 5.7")
Turn-on Delay Time	1 s	2 s	Weight <sup>3</sup>	7.5 kg (16.5 lbs)

## 220V Optimized Grow Light (L01-A0001-01 and L01-A0003-01)

	Min	Max		
Input Voltage	175 V <sub>AC</sub>	265 V <sub>AC</sub>	Ingress Protection	IP54
Input Frequency	50 Hz	60 Hz	Lamp Power	1000 W
AC Power Draw <sup>1</sup>	–	1,219 W	Lamp Voltage	400 V
Heat Output <sup>1</sup>	–	4,160 BTU/h	Average PPF <sub>D</sub> at 28" <sup>4</sup>	504 μmol/s/m <sup>2</sup>
Input AC Current <sup>1</sup> (175 V <sub>AC</sub> input)	6.3 A	6.9 A	Uniformity (CV) at 28" <sup>5</sup>	0.28
Input AC Current <sup>1</sup> (265 V <sub>AC</sub> input)	4.1 A	4.6 A	Over Temperature Protection <sup>2</sup>	55 °C (131 °F)
Efficiency	92%	95%	Short/Open Circuit Protection	Yes/Yes
Operating Temperature	-15 °C (5 °F)	45 °C (113 °F)	Manual Intensity Control <sup>6</sup>	Manual Dimming with Knob
Enclosure Temperature Increase	–	45 °C (81 °F)	Automated Intensity Control <sup>7</sup>	Continuous Dimming with 0-10V interface
Turn-on Delay Time	1 s	2 s	Dimensions <sup>3</sup> (L x W x H)	560 mm x 325 mm x 144 mm (22" x 12.8" x 5.7")
			Weight <sup>3</sup>	6.8 kg (15 lbs)

1. Measured at full load (110% intensity)

2. Ambient temperature threshold

3. Complete fixture with bulb

4. Average Photosynthetically Active Photon Flux Density (PPFD) over 40"x50" grow tray at 28" (70 cm) fixture height (top lighting, 100% intensity, single tray, no adjacent grow lights, no reflective walls)

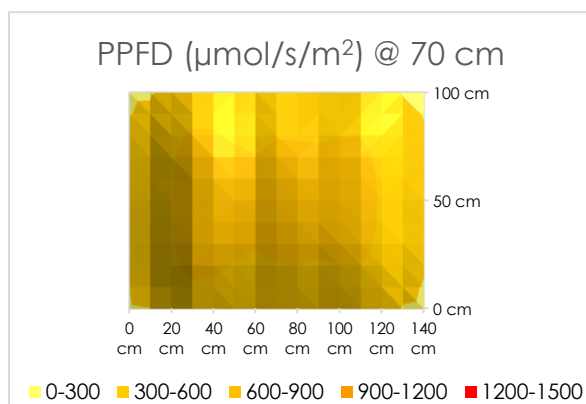
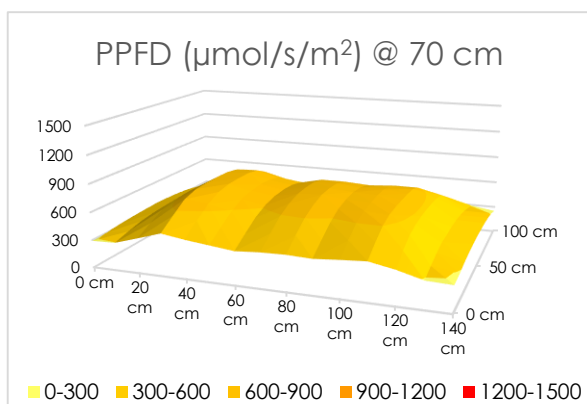
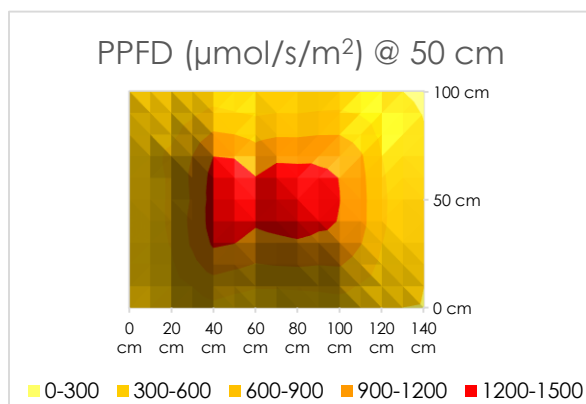
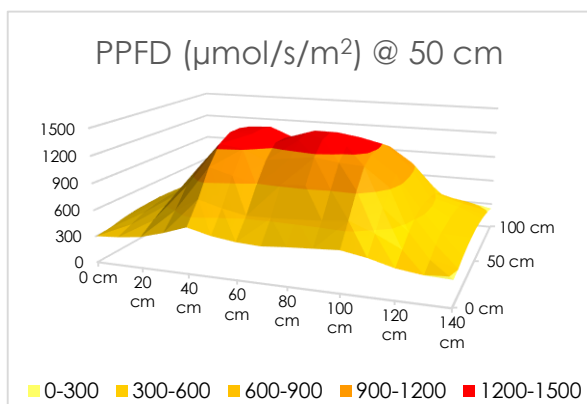
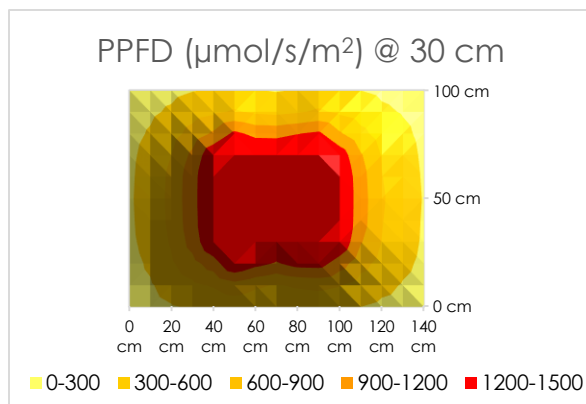
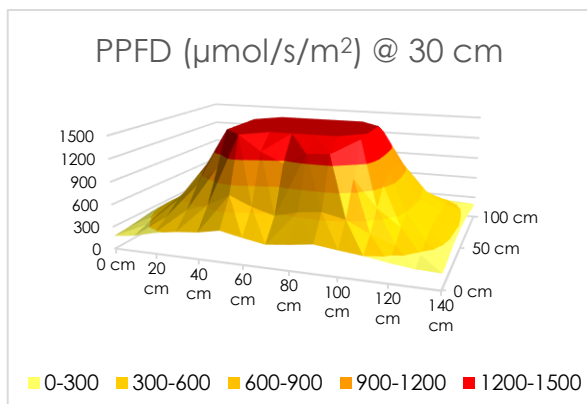
5. Coefficient of Variation over a 40"x50" grow tray at 28" (70 cm) fixture height (top lighting, 100% intensity, single tray, no adjacent grow lights, no reflective walls)

6. L01-A0001-01 and L01-A0002-01 only

7. L01-A0003-01 and L01-A0004-01 only

# Photon Flux Distribution <sup>1</sup>

Measured with Blaze HPS bulb running at 1000W (100% setting) with fixture centrally hanging at pre-determined height above a 40"x50" grow area.



1. Average Photosynthetically Active Photon Flux Density (PPFD) over 40"x50" grow tray (top lighting, 100% intensity, single tray, no adjacent grow lights, no reflective walls)

A 1281 Reamwood Ave.  
Sunnyvale, CA 94089

P 1.800.369.8673

O 1.650.564.3058

E [info@aessensegrows.com](mailto:info@aessensegrows.com)