

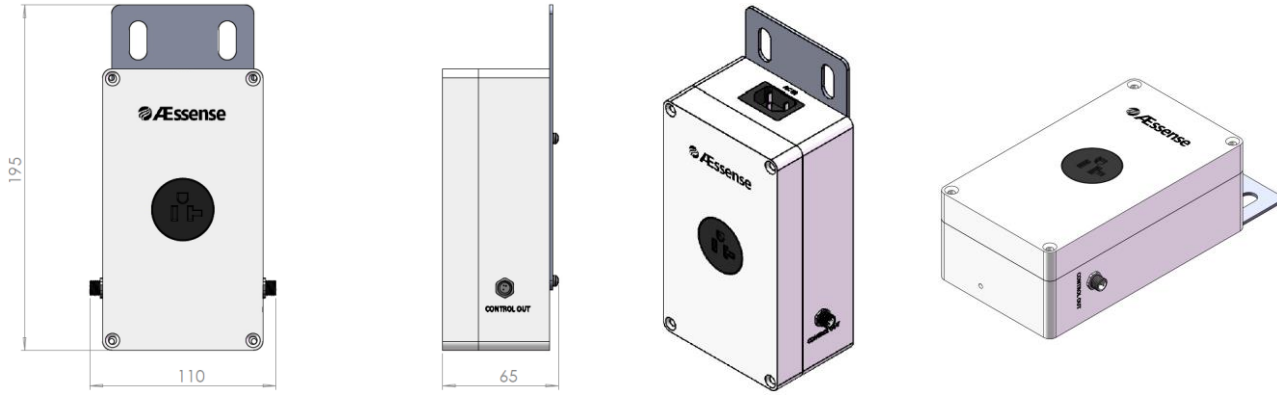


Basic Relay

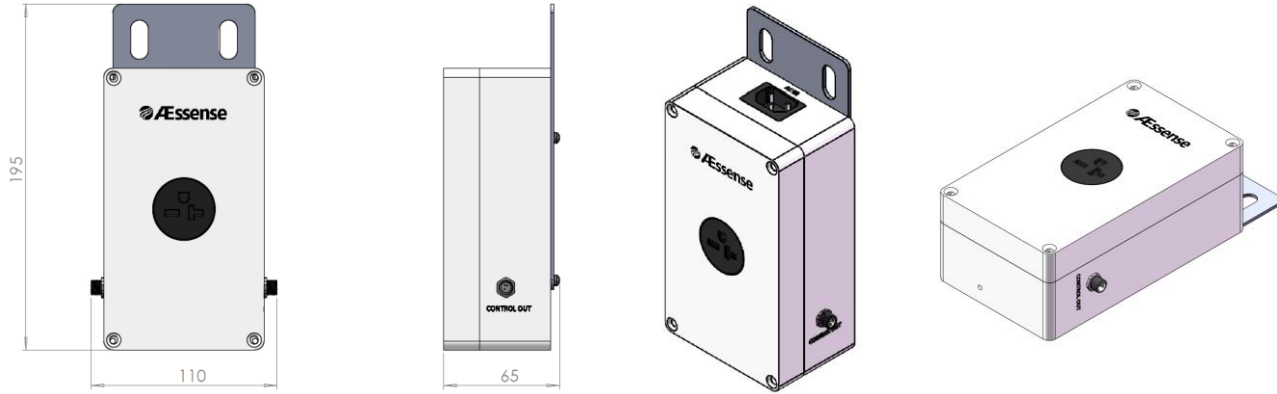
85-265V, 2,500W

Data Sheet

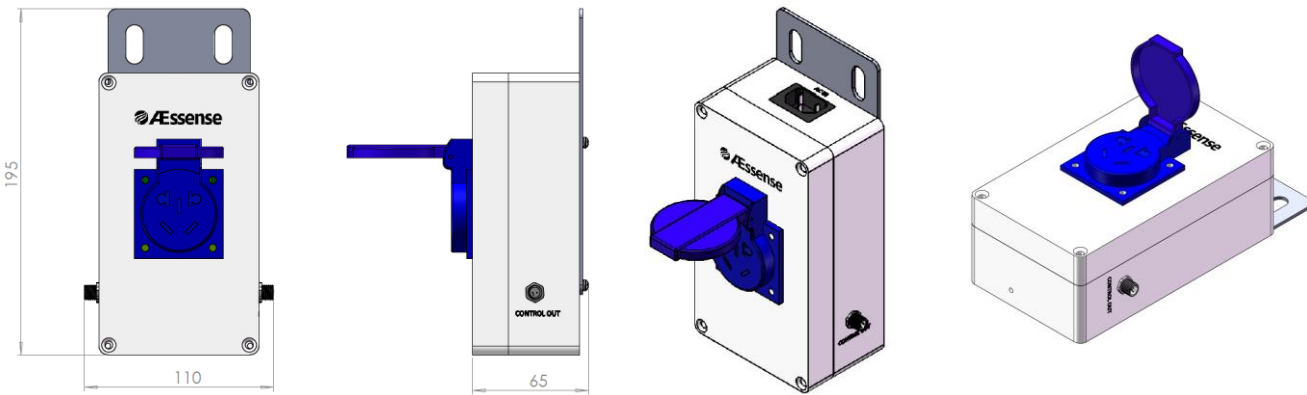
202-00001-01, BR-5



202-00002-01, BR-6

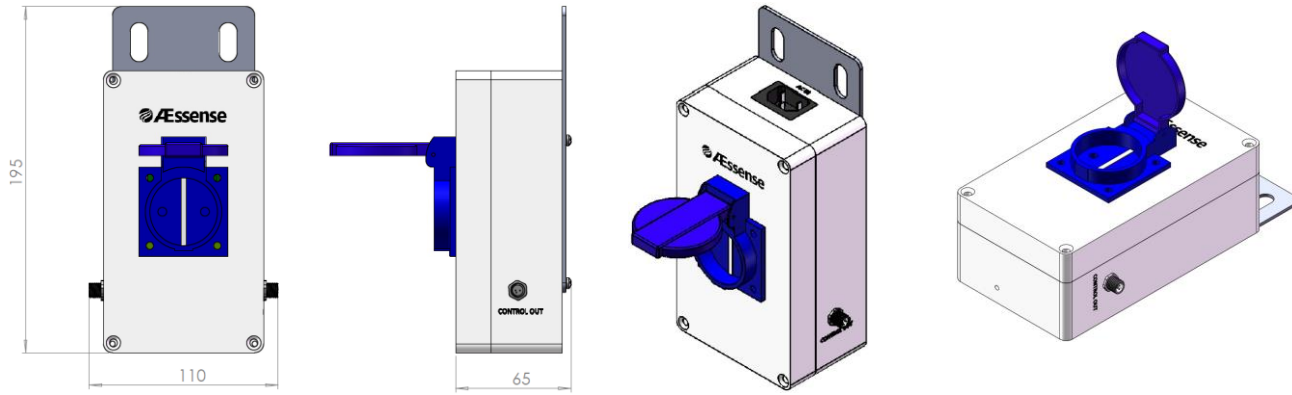


202-00005-01, BR-I

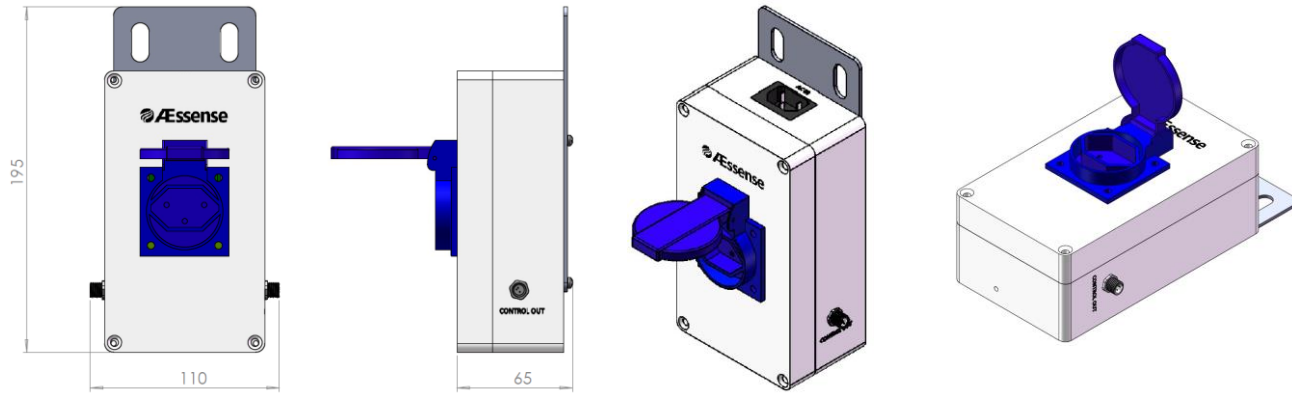


1. All measurements in mm

202-00004-01, BR-F



202-00003-01, BR-J



1. All measurements in mm

	Min	Max
Input Voltage	85 V _{AC}	265 V _{AC}
Input Frequency	47 Hz	63 Hz
Power	–	2,500 W
Load Current	–	10 A
Current draw on 24 V _{DC} comm. line	–	71 mA
Operating Temperature	-35 °C (-30 °F)	60 °C (140 °F)
Storage Temperature	–	85 °C (185 °F)

	Value
AC Power Draw ¹	0 mW
Lifetime	100,000 cycles
AEtrium System Comm.	24 V _{DC}
Dimensions (L x W x H)	195 mm x 110 mm x 65 mm (7.7" x 4.3" x 2.6")
Weight	0.5 kg (1.1 lbs)

1. AC power consumption by the Basic Relay only

202-00001-01: BR-5 for the US and Canada

- Plug type: NEMA 5-15P (US residential standard)
- Socket type: NEMA 5-15/20
- 120V/60Hz

202-00002-01: BR-6 for the US and Canada

- Plug type: NEMA 6-15P
- Socket type: NEMA 6-15/20
- 208V/60Hz

202-00005-01: BR-I for China and Australia

- Plug type: Type I
- Socket type: Type I
- 230V/50Hz

202-00004-01: BR-F for the EU

- Plug type: CEE 7/7
- Socket type: Type F
- 230V/50Hz

202-00003-01: BR-J for Switzerland

- Plug type: Type J
- Socket type: Type J
- 230V/50Hz

A 1281 Reamwood Ave.
Sunnyvale, CA 94089

P 1.800.369.8673

O 1.650.564.3058

E info@aessensegrows.com