

1281 Reamwood Ave.  
Sunnyvale, CA 94089  
Toll Free: 1-800-369-8673  
Office: 1-650-564-3058



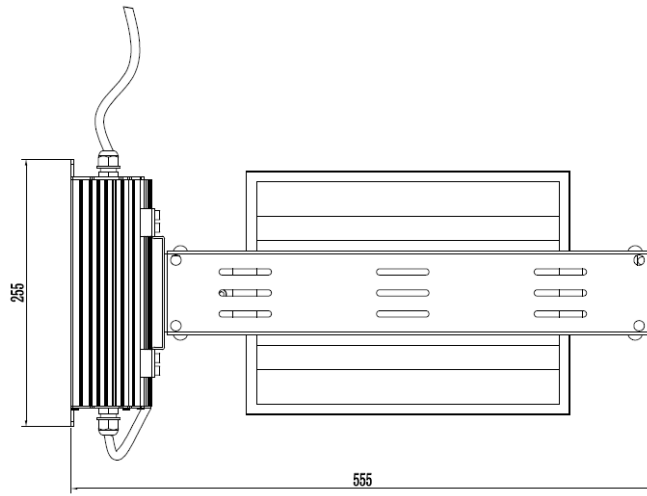
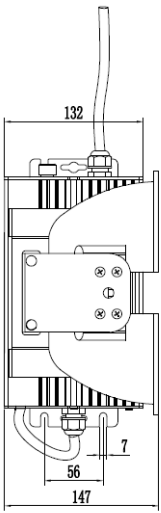
## **AExcel FXH0600 CMH Fixture**

Grow Light, 230V or 110-240V, 630W

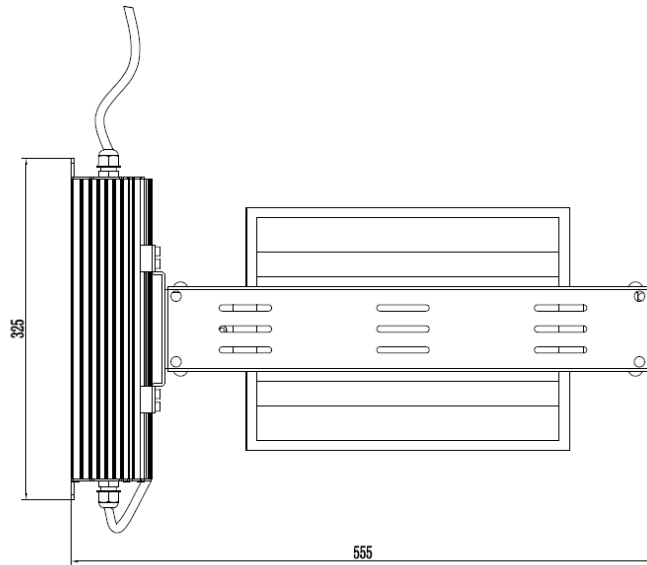
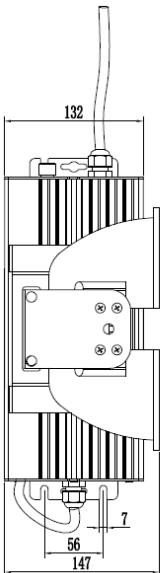
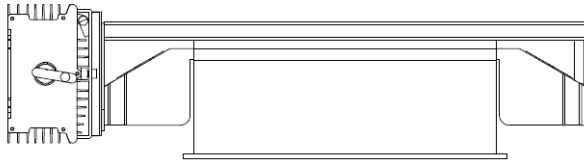
**Step Dimming**



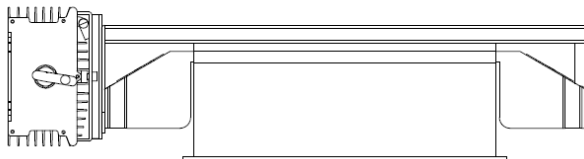
**Ideal with AEssense  
Blaze CMH bulbs**



**230V**



**110-240V**



## 110-240V Universal Ballast Specifications

	Min	Typ	Max
<b>Input Voltage</b>	110 V <sub>AC</sub>	–	265 V <sub>AC</sub>
<b>Input Frequency</b>	50 Hz	–	60 Hz
<b>Input AC Current <sup>1</sup> (110 V<sub>AC</sub> input)</b>	–	–	6.8 A
<b>Input AC Current <sup>2</sup> (265 V<sub>AC</sub> input)</b>	1.2 A	–	–
<b>Lamp Power</b>	–	630 W	–
<b>Lamp Voltage</b>	–	400 V	–
<b>Efficiency <sup>3</sup> (110 V<sub>AC</sub> input)</b>	90%	–	92.5%
<b>Efficiency <sup>3</sup> (265 V<sub>AC</sub> input)</b>	92%	–	92.5%
<b>Turn-on Delay Time</b>	1 s	–	2 s
<b>Overtemperature Protection <sup>4</sup></b>	–	55 °C (131 °F)	–
<b>Open Circuit Protection</b>	Yes		
<b>Short Circuit Protection</b>	Yes		
<b>Output Power Limit</b>	Yes		
<b>Ingress Protection</b>	IP54		
<b>Operating Temperature</b>	-15 °C (5 °F)	–	45 °C (113 °F)
<b>Enclosure Temperature Increase</b>		–	45 °C (81 °F)
<b>Dimensions (L x W x H)</b>	555 mm x 330 mm x 147 mm (21.85" x 13" x 5.8")		
<b>Weight</b>	6.4 kg (14 lbs)		
<b>Lifetime</b>	5 yrs		
<b>Warranty</b>	3 yrs		

1. Measured at 110% load
2. Measured at 50% load
3. Measured at full load with 3.15 A lamp current
4. Ambient temperature threshold



## 230V Optimized Ballast Specifications

	Min	Typ	Max
<b>Input Voltage</b>	175 V <sub>AC</sub>	–	265 V <sub>AC</sub>
<b>Input Frequency</b>	50 Hz	–	60 Hz
<b>Input AC Current <sup>1</sup> (175 V<sub>AC</sub> input)</b>	–	–	4.1 A
<b>Input AC Current <sup>1</sup> (265 V<sub>AC</sub> input)</b>	–	–	2.7 A
<b>Lamp Power</b>	–	630 W	–
<b>Lamp Voltage</b>	–	400 V	–
<b>Electrical Efficiency <sup>2</sup></b>	91%	–	93%
<b>Turn-on Delay Time</b>	1 s	–	2 s
<b>Overtemperature Protection <sup>3</sup></b>	–	55 °C (131 °F)	–
<b>Open Circuit Protection</b>	Yes		
<b>Short Circuit Protection</b>	Yes		
<b>Output Power Limit</b>	Yes		
<b>Ingress Protection</b>	IP54		
<b>Operating Temperature</b>	-15 °C (5 °F)	–	45 °C (113 °F)
<b>Enclosure Temperature Increase</b>	–	–	35 °C (63 °F)
<b>Dimensions (L x W x H)</b>	555 mm x 267 mm x 147 mm (21.85" x 10.5" x 5.8")		
<b>Weight</b>	5.4 kg (11.9 lbs)		
<b>Lifetime</b>	5 yrs		
<b>Warranty</b>	3 yrs		

1. Measured at full load
2. Measured at full load with 3.15 A lamp current
3. Ambient temperature threshold

# Photon Flux Distribution

Measured with Blaze CMH bulb running at 630W with fixture centrally hanging at pre-determined height above a 4'x5' grow area.

