



RADWIN

RADWIN IDU-S

Layer 2 indoor switch

RADWIN IDU-S is a managed Ethernet switch with full Layer 2 switching capabilities and high-power budget, improving operational efficiency and assuring ease of use when using RADWIN's PtP and PtMP radios*.

The IDU-S serves as a single indoor unit, providing data aggregation and power feeding multiple RADWIN base stations or CPEs (backhaul) on the tower, eliminating the need for additional 3rd party equipment.

RADWIN IDU-S supports up to 540Watt PoE output (up to 90W per PoE for high capacity radio units) and up to 14Gbps full duplex traffic for connected radios. Auto negotiation supports up to 2.5GbE.

*Excluding: HBS SFF, HSU SFF, GSU and RADWIN 2000A/A+

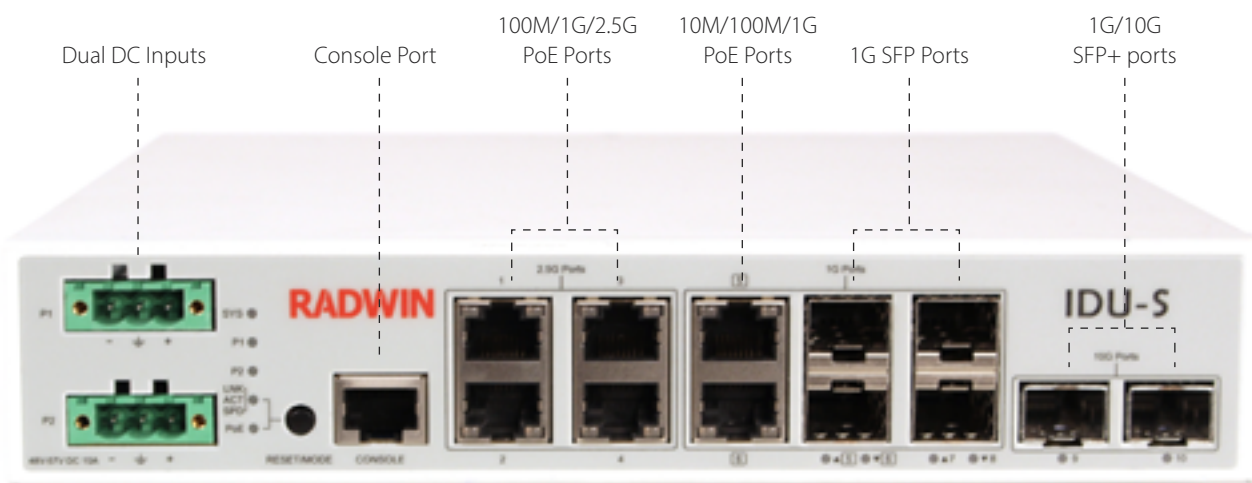
IDU-S is highly flexible, enabling connectivity of 4 RADWIN base stations (including the JET DUO series) through 4 PoE ports, providing up to 2.5Gbps throughput per port. Also available, 2 additional PoE ports of 1GbE that can connect 2 radios or other devices such as such as CCTV cameras, a UPS/Controller and more.

In addition, IDU-S seamlessly integrates with the customer's 10Gbps fiber optics backbone, including monitoring via WINManage NMS.

Main Networking Features

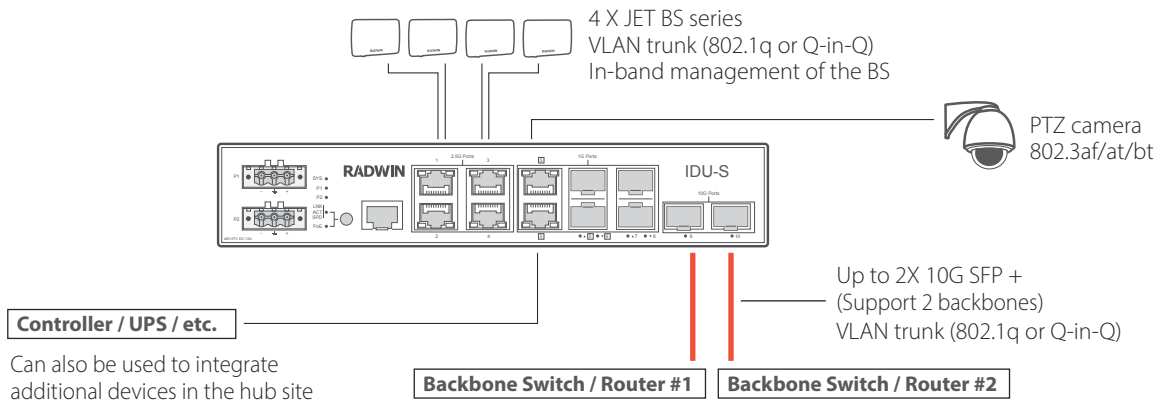
- » **VLAN:** Up to 4K VLANs; 802.1q and 802.1ad Q-in-Q tagging
- » **Link Aggregation supporting:** 802.3ad + LACP
- » **Spanning Tree:** STP (802.1d), RSTP (802.1w), MSTP (802.1s)
- » **QoS based L3** (DiffServ) or L2 (802.1p) & scheduling based WRR, Strict & Hybrid
- » **IGMP snooping:** V2/V3 and IPv6 MLD
- » **Security features:** Radius, HTTPS & SSL, ACL & 802.1x
- » **Management:** CLI/SSH, WEB UI, FTP/FTPS, DHCP, LLDP, NTP & SNMPv1/2c/3

Mechanical Overview

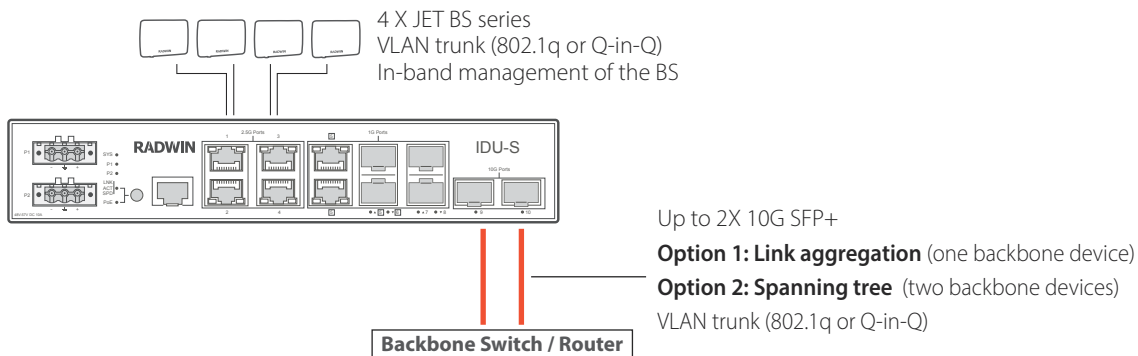


Typical IDU-S use cases

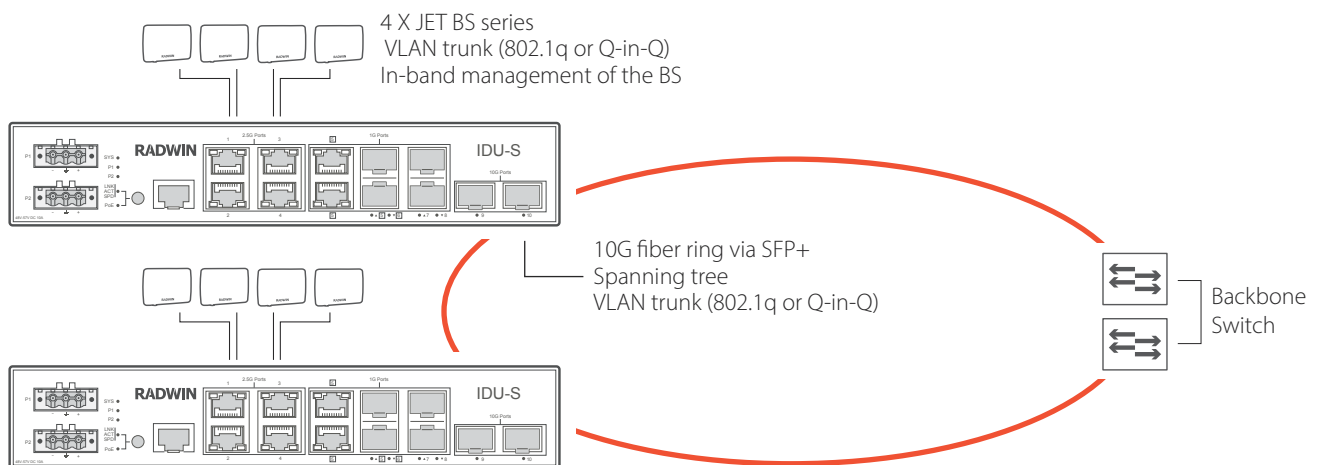
Use case 1 - Base station connectivity in hub sites



Use case 2 - Dual fiber backhaul



Use case 3 - Fiber ring topology



IDU-S Highlights

- » Data aggregation
- » 540W total PoE budget
- » 90Watt per PoE port
- » 4x PoE up to 2.5G
- » 2x combo ports up to 1G (PoE or SFP)
- » 2x 1G SFP ports
- » 2 x 10/1GbE uplink SFP + ports
- » Dual DC power input (redundancy)
- » HTTP/S web GUI and Telnet/SSH CLI for remote management
- » Console port for local management

Product information

- » **Size:** 22(w) x 4.5(h) x 24(d) cm
- » **Weight:** 2.5 kg / 5.51 lbs
- » **Operating temperatures:** 0°C to 45°C / 32°F to 113°F
- » **Installation:** indoor
- » **Optional accessories:** AC/DC PS, SFP/SFP+ transceivers



RADWIN

RADWIN Ltd Corporate Headquarters

+972.3.766.2900 | sales@radwin.com