

PRODUCT INFORMATION



**MIAMI**  
**STAINLESS**

**RB-30**

Rafter Bracket

**EXCLUSIVE**

Rated to  
1200kgf

**NEW IN 2020 !!**

**STRONGER**

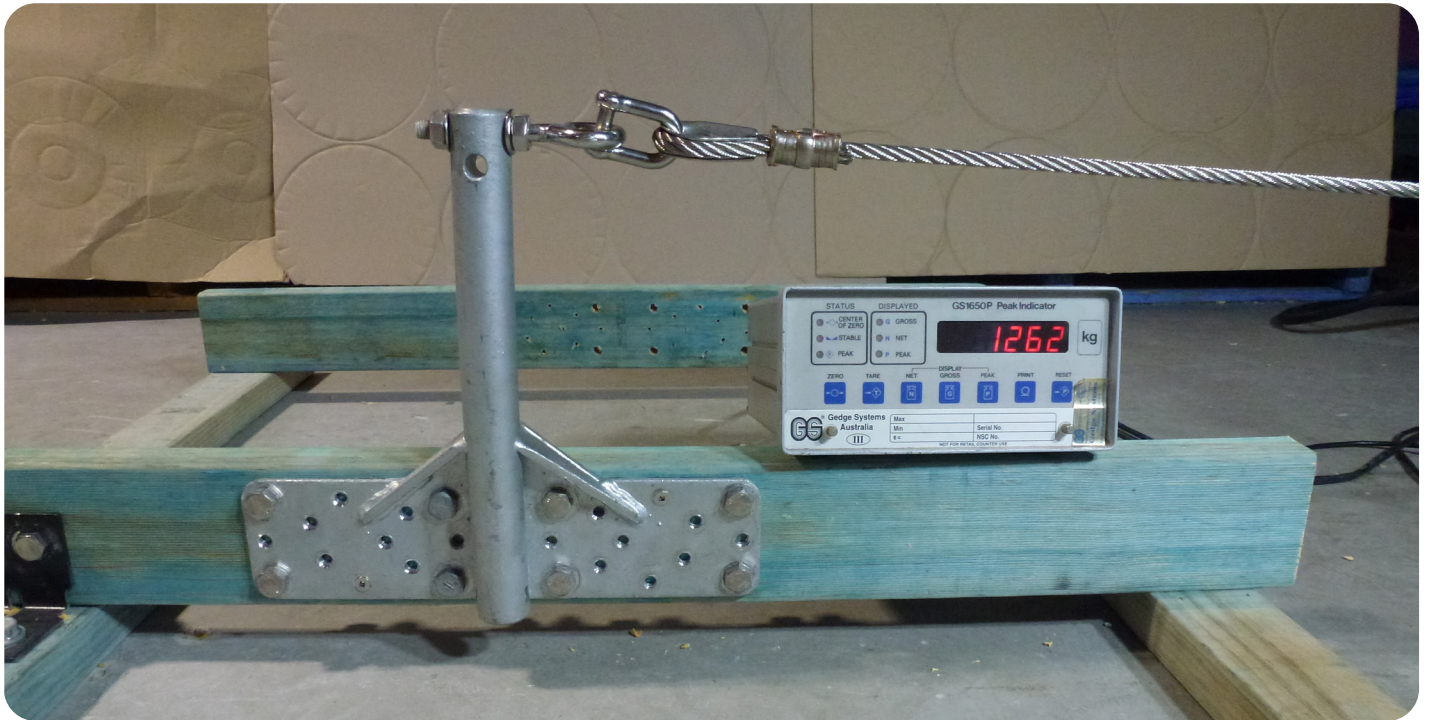
5 times stronger than all other rafter  
brackets - Minimum

Registered Design®

1800 022 122 | [info@miamistainless.com.au](mailto:info@miamistainless.com.au) | [miamistainless.com.au](http://miamistainless.com.au)

# RB-30 RAFTER BRACKETS

All sizes in mm - All prices exclude GST



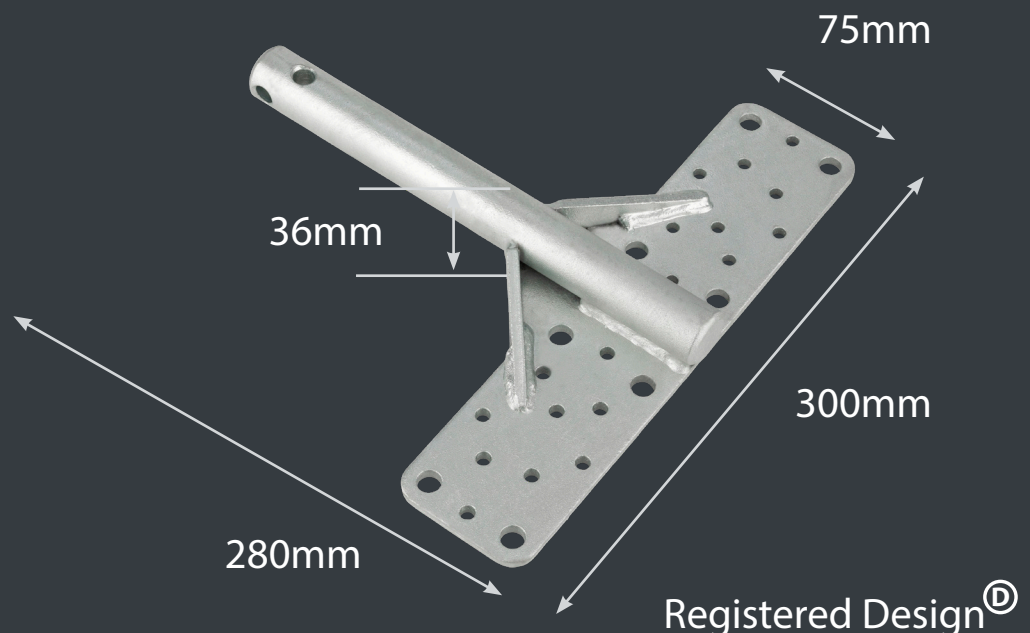
Picture 1 - Test shown above has Rafter Bracket fixed to 90 x 35mm structural pine MGP12. Load held static at 1250kgs for 7 days without failure.



## RAFTER BRACKET 30mm Ø

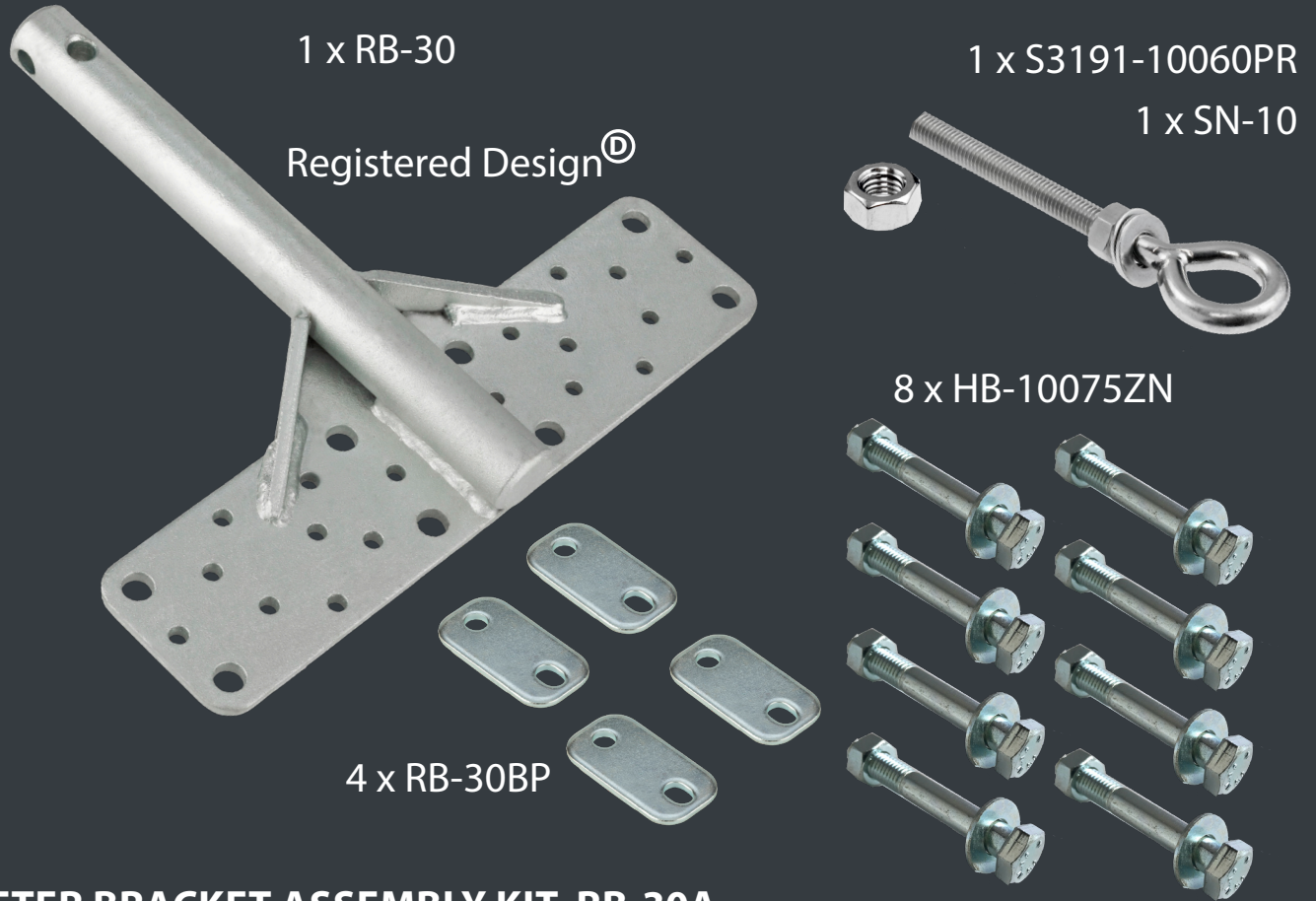
**Rated to  
1200kgf**

- ✓ 5 times stronger than all other rafter brackets - Minimum
- ✓ Made with high strength steel
- ✓ Only 2.5mm of deflection at the tile height when loaded to 1200kg
- ✓ LOWER COST than other Rafter Bracket Assemblies
- ✓ Special Design Large Oversized Washers Included to spread the load over a larger area
- ✓ 2 through holes allow for fitting of Eye Bolts in 4 directions
- ✓ Shade sail can be connected at any angle



# RB-30 RAFTER BRACKETS

All sizes in mm - All prices exclude GST



## RAFTER BRACKET ASSEMBLY KIT RB-30A

INCLUDED ITEMS	CODE	QUANTITY
Rafter Bracket 30mm	RB-30	1
Rafter Bracket Backing Plates	RB-30BP	4
Eye Bolt M10*60mm Prorig	S3191-10060PR	1
Hex Nut M10 Stainless	SN-10	1
Hex Bolt M10 x 75mm (with nut) Zinc	HB-10075ZN	8
M10 Washer, Zinc Plating	ZW-10	8
<b>TOTAL PRICE</b>		<b>\$34.15</b>

## RAFTER BRACKET ONLY RB-30

INCLUDED ITEM	CODE	QUANTITY
<b>RAFTER BRACKET 30mm</b>	<b>RB-30</b>	<b>1</b>
<b>TOTAL PRICE</b>		<b>\$25.97</b>

\* Trade Price Only. Excludes GST.

## FITTING NOTES

The RB-30 Rafter Bracket will handle a load of 1200kgs but your roof structure may not, and at this load your roof will probably need some strengthening. Refer to engineer when necessary.

If possible fit the Rafter Bracket to the junction of the roof truss and the wall top plate for the highest strength. Additional right angled brackets can be fitted at this junction to strengthen further when required.

If fitting to other parts of the truss, in higher load situations reinforce the truss using accepted methods. Refer to engineer when necessary.

High loads can be spread over multiple fixing points if required, add an eye nut to the M10 eye bolt thread. Tie the rafter bracket back to other rafter brackets or other anchor points.

Use all 8 of the M10 x 70mm bolts using the 8 bolt holes and 4 backing plates to achieve the best results. Use 10mm Drill bit to keep holes tight.

Avoid fixing near any knots in the rafter.

Use a double hex nut on the eye bolt to prevent the nut unwinding.

Shade sail connection can be made at any angle providing the eye of the eye bolt is tightened hard up against the rafter bracket. Orient the eye to suit the angle of connection.

The eye bolt can be used as a tensioner in place of a turnbuckle if the shade sail is pulling in direct line with the eye bolt direction. If this is desired, fit a brass nut to the eye bolt for tensioning, this can prevent seizing, go slowly and take note of heating parts. This method can eliminate the cost of a turnbuckle.

Important Note: if direction of pull is not in line with the eye bolt, and the eye bolt is extended, unwanted bending of the eye bolt can occur. In this situation fix the eye bolt hard up against the 30mm Shaft. Use a turnbuckle.

# RB-30 RAFTER BRACKETS

All sizes in mm - All prices exclude GST



Picture 3 - Taken with 1250kgf load applied. Rafter Bracket returns to original shape when load is removed. No permanent deformation whatsoever.

## TESTING OF RB-30

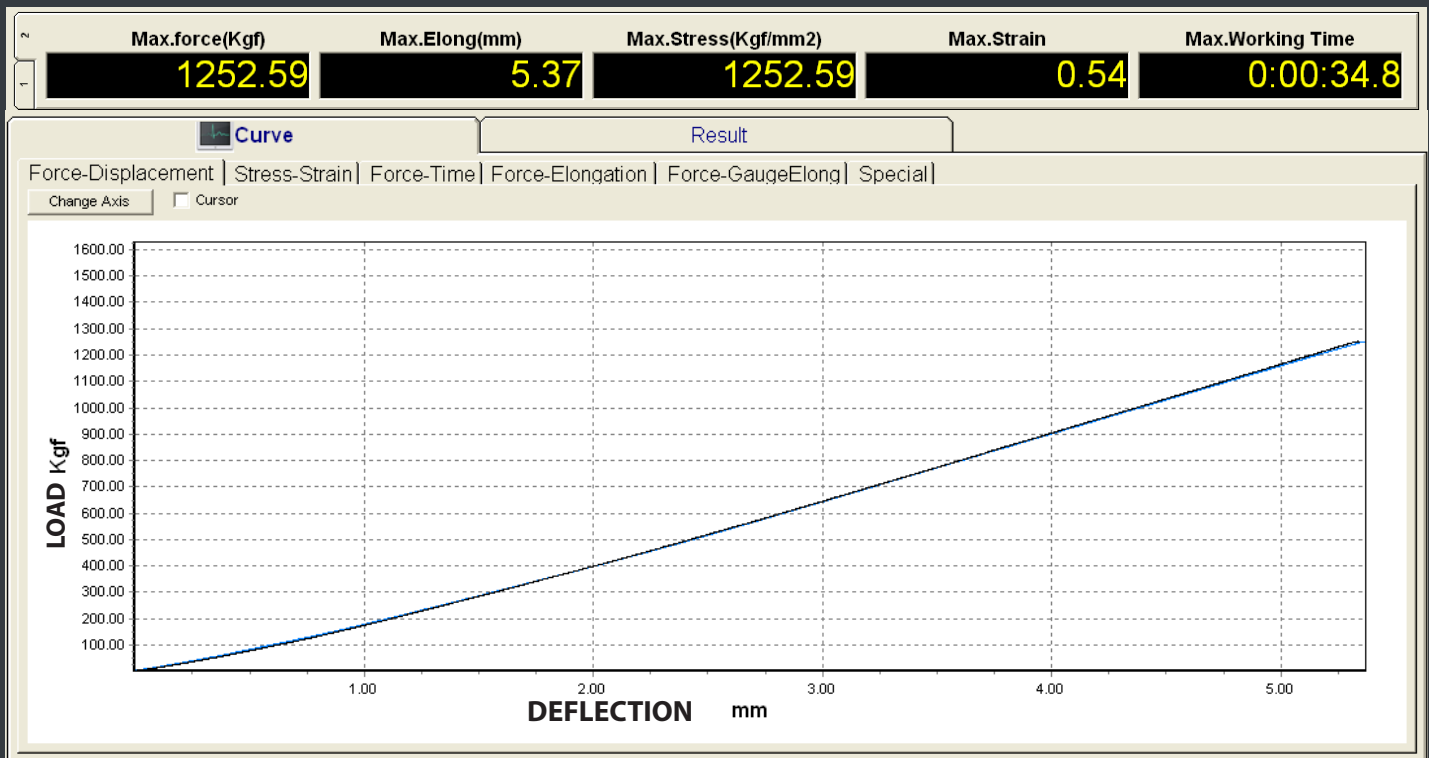
### TEST RESULTS

**TEST MACHINE** - 20,000 kg Universal Testing Machine

**DIRECTION OF LOAD** - In line with plate

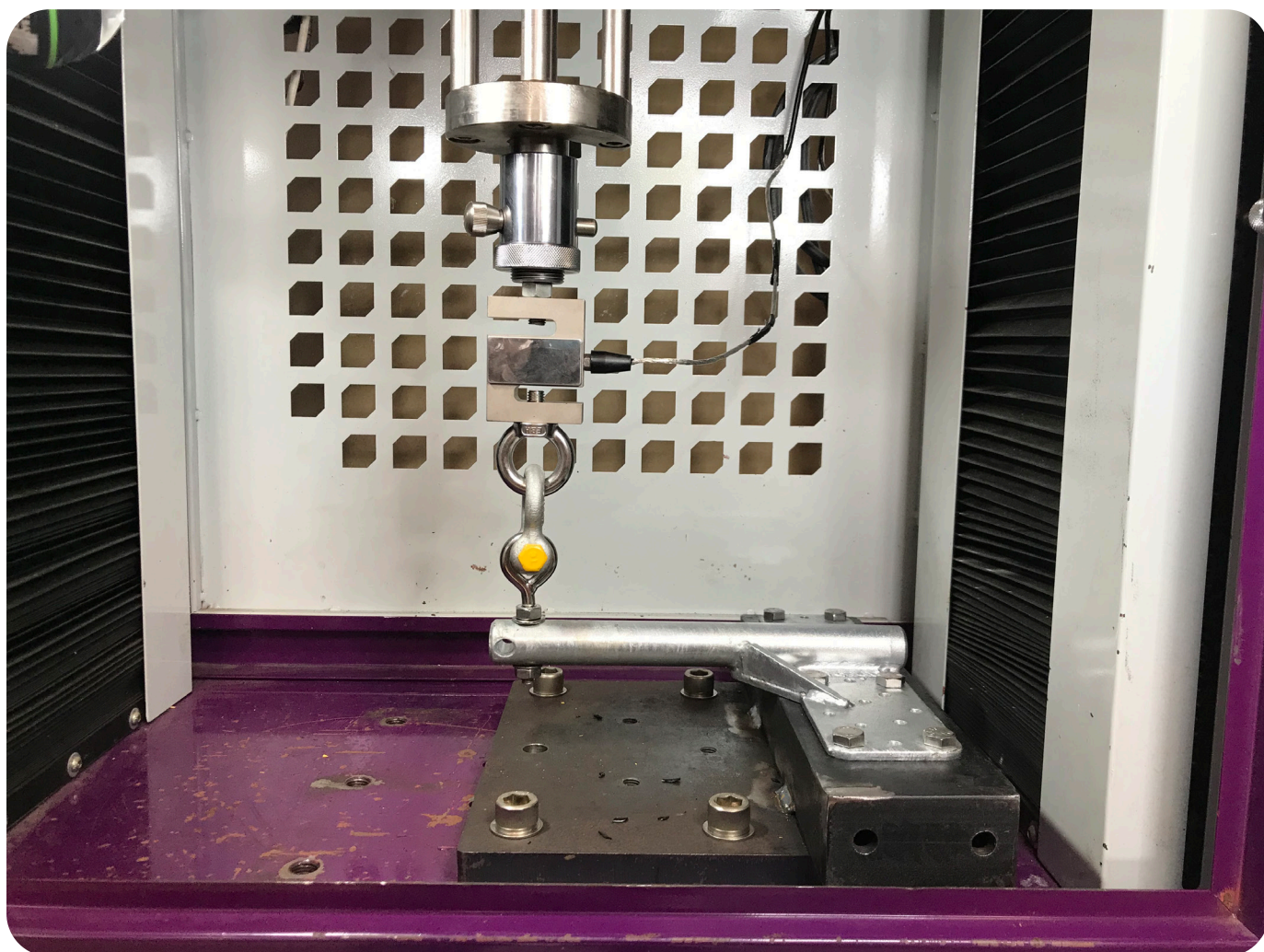
DIRECTION OF LOAD	LOAD	DEFLECTION AT UPPER POST HOLE	DEFLECTION AT ROOF TILE HEIGHT	PERMANENT DEFORMATION
In line with plate	500kg	2.4mm	1.2mm	None
In line with plate	700kg	3.2mm	1.5mm	None
In line with plate	900kg	4.0mm	1.9mm	None
In line with plate	1100kg	4.7mm	2.3mm	None
In line with plate	1250kg	5.3mm	2.6mm	None

### TEST MACHINE CURVE DATA REPORT



# RB-30 RAFTER BRACKETS

All sizes in mm - All prices exclude GST



Picture 4 - Bracket shown with 1250kgf load applied at right angle to the plate. Rafter Bracket returns to original shape when load is removed. No permanent deformation whatsoever.

**VIEW OUR FULL RANGE OF SHADE SAIL PRODUCTS  
ON OUR WEBSITE**

**Visit [miamistainless.com.au/shade-sail](https://miamistainless.com.au/shade-sail)**



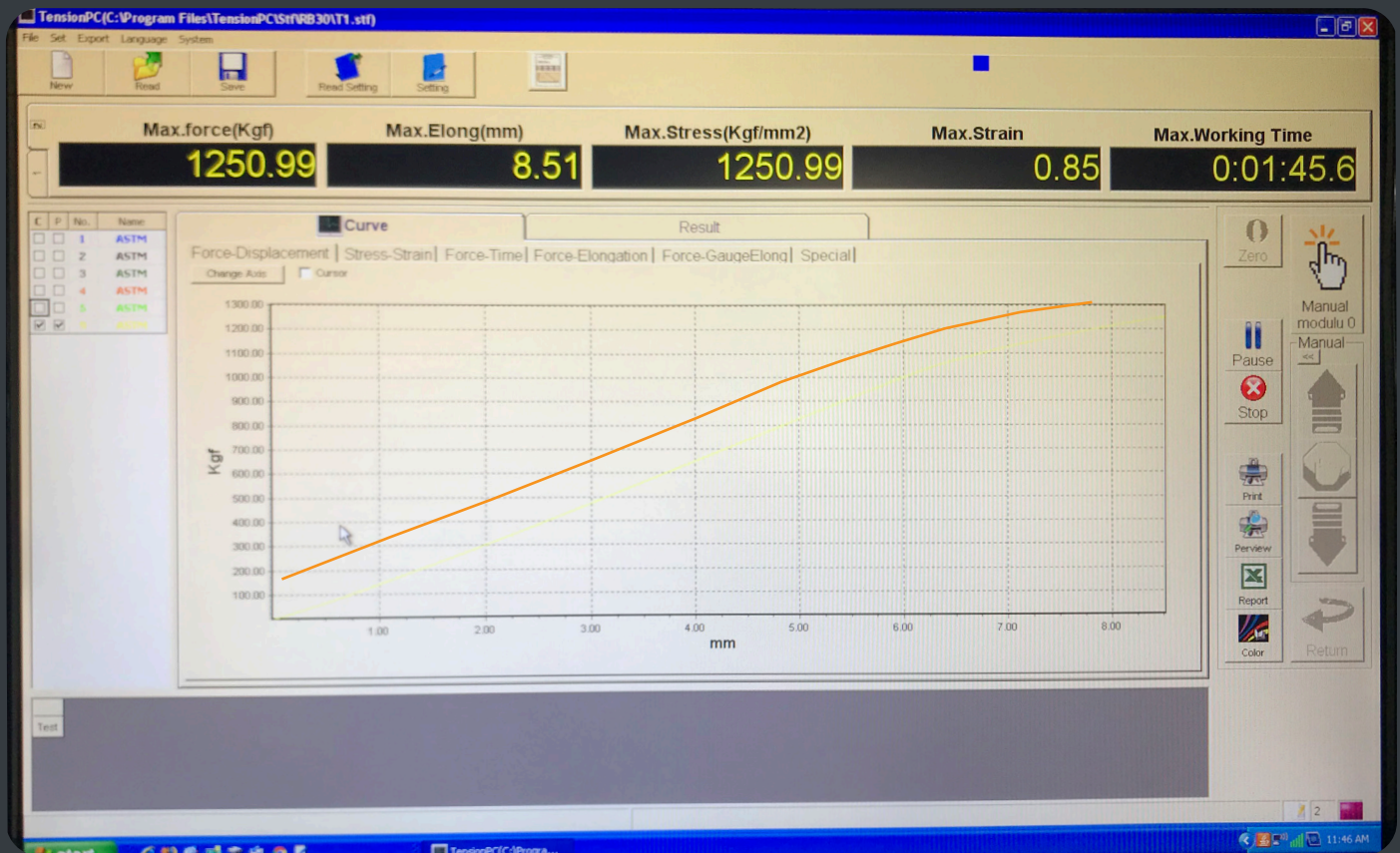
## LOAD TESTING OF RB-30

### TEST RESULTS

**TEST MACHINE** - 20,000 kg Universal Testing Machine

**DIRECTION OF LOAD** - At right angle to fixing plate

DIRECTION OF LOAD	LOAD	DEFLECTION AT UPPER POST HOLE	DEFLECTION AT ROOF TILE HEIGHT	PERMANENT DEFORMATION
Right angle to plate	500kg	3.1mm	1.5mm	None
Right angle to plate	800kg	4.8mm	2.5mm	None
Right angle to plate	1000kg	6.0mm	3.0mm	None
Right angle to plate	1250kg	8.5mm	4.2mm	None



Free Call 1800 022 122

Fax 1800 022 199

Email your order to  
[info@miamistainless.com.au](mailto:info@miamistainless.com.au)

Order online - visit  
[miamistainless.com.au](http://miamistainless.com.au)



[company/6673252](https://www.linkedin.com/company/6673252)



[miamistainless](https://www.pinterest.com/miamistainless)



[miamistainless](https://www.facebook.com/miamistainless)



[+MiamiStainlessAu](https://plus.google.com/+MiamiStainlessAu)



[miamistainless](https://www.instagram.com/miamistainless)



[miamistainless](https://www.youtube.com/miamistainless)tv



[miamistainless/miami-stainless](https://www.miamistainless.com.au/miami-stainless)



# FREE DELIVERY

on all orders  
**OVER \$200\***

Offer is available for all orders

including phone, email, fax and web.

\* Receive free ground express shipping on orders over \$200 excluding GST.  
Excludes orders to addresses located outside of Australia.