

Zedi Measurement Schematics™ Program



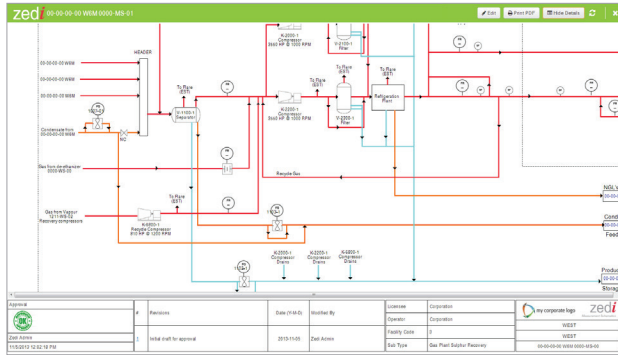
The Zedi Measurement Schematics Program makes it easier to meet regulations with Zedi Measurement Consulting Services and the Zedi Measurement Schematics application. Get access to measurement expertise, resources and an easy-to-use online tool, ensuring you have a complete process to create, approve and continually update measurement schematics. Meet regulatory deadlines and have peace of mind in the event of an audit.

And because it is integrated in the Zedi Access™ data management platform, you'll see real-time production data in your schematic, improving communication between the field and head office and helping troubleshoot measurement issues.

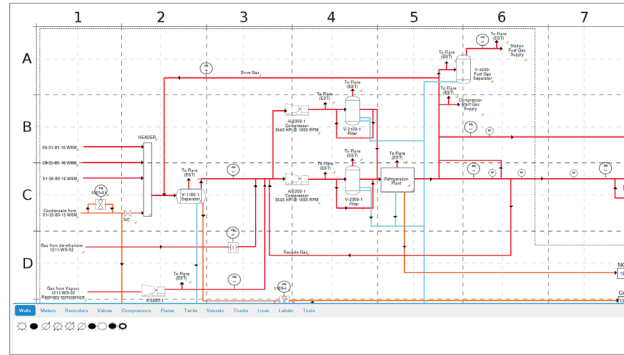
Key Features

Expertise and resources	<ul style="list-style-type: none"> • Leverage decades of measurement experience. • Stay up-to-date with changing regulations. • Help with process implementation, schematic creation, and application set-up.
Easy-to-use application	<ul style="list-style-type: none"> • Drag and drop from an easy-to-use drawing toolbar. • Choose from a library of standardized symbols. • Link multiple schematics to track the flow of production.
Automated workflow	<ul style="list-style-type: none"> • Assign permissions to view, edit and approve for an unlimited number of users. • Get an email notification when schematics are updated. • View the entire revision history.
Online access	<ul style="list-style-type: none"> • Access the latest schematic – anytime, anywhere, from any web-enabled device. • Rely on secure, unlimited storage. • Get automatic application updates, aligned with current regulations.
Real-time schematics	<ul style="list-style-type: none"> • View accurate real-time production data from Zedi-monitored field devices. • Improve communication between the field and head office. • Troubleshoot measurement issues.
Customer Support	<ul style="list-style-type: none"> • On-going implementation and training. • Free 24/7 customer support.

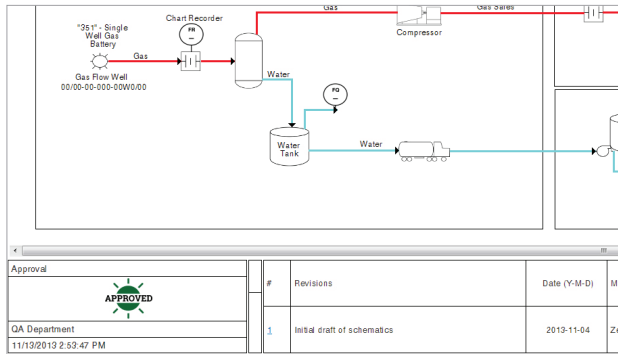
Zedi Measurement Schematics Application



Create, view and edit schematics anytime, anywhere.



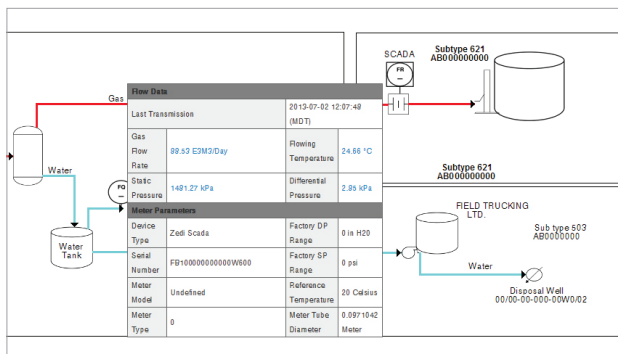
Drag and drop symbols from the drawing toolbar.



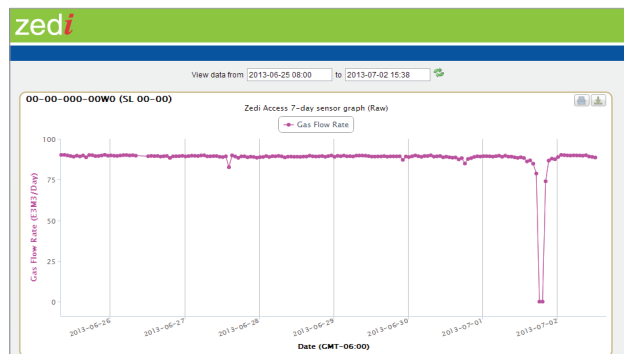
Automate workflow for approvals and changes.

Rev #	Comments	Revision Date	Modified By
12	Adding links to 1211 MS-02	2013/10/07	Zedi Admin
11	Sending for approval	2013/10/07	Zedi Admin
10	removing link	2013/10/07	Zedi Admin
9	modifying labels	2013/10/04	Zedi Admin
8	Editing text	2013/10/04	Zedi Admin
7	Link meter	2013/10/04	Zedi Admin
6	Editing lines and meters	2013/10/04	Zedi Admin
5	Updating labels	2013/10/04	Zedi Admin
4	Adding links to Zedi Meters	2013/10/04	Zedi Admin
3	edit schematic	2013/10/03	Zedi Admin

Maintain a complete revision history for audits.



View real-time data from Zedi-monitored field devices.



Troubleshoot issues with 7 day production trend.

About Zedi

Zedi is a leading oil and gas technology and services company in the field of production operations.

We help the world's oil and gas producers be more productive, more profitable, and more sustainable. Through technology backed by expert consultation and services, we help our customers realize their production potential. Our 60 years of continuous operations in North America and recognition as one of the industry's best workplaces sets us apart in the production operations landscape. With our unique combination of award-winning automation, data management, and field and professional services, we offer complete solutions for the challenges our customers encounter.