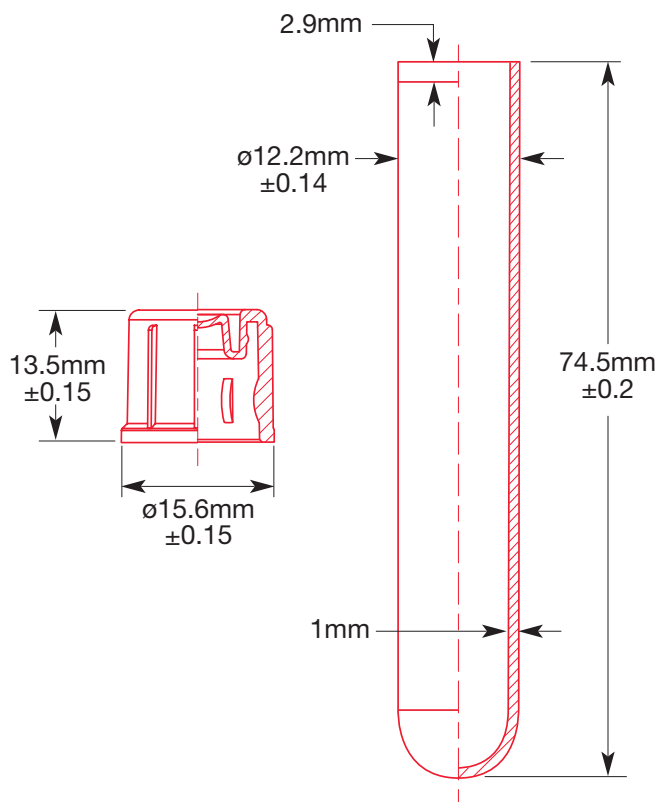


12 x 75mm Plastic Culture Tubes with Dual Position Cap

Item# 110405 / 110406



Description

These Globe Scientific culture tubes are molded from premium grade polystyrene (PS) for clarity or polypropylene (PP) for impact strength and stability to common acids, alkalis, and solvents. The dual position cap provides either aerobic or anaerobic storage of culture samples.

Features

- 5mL capacity
- 12 x 75mm
- Tubes available in polystyrene (PS) or polypropylene (PP)
- Cap made from low-density polyethylene (LDPE)
- Non-graduated

Technical Specifications

Polystyrene Tubes:

RCF Rating: 1400 xg
 Autoclavable: No
 Temperature Range: -20°C to 70°C
 Sterility: Non-sterile

Polypropylene Tubes:

RCF Rating: 3000 xg
 Autoclavable: Yes (with cap removed)
 Temperature Range: -80°C to 121°C
 Sterility: Non-sterile

Products

Item#	Description	Unit
110405	PS, with dual position cap, unassembled	1000
110406	PP, with dual position cap, unassembled	1000