



## BraunAbility

### Simple Stow Ramp

Looking for a mobility solution for your Dodge rear-entry that stows out of sight and out of mind? The new Simple Stow ramp design is the answer.

The ultra lightweight Simple Stow ramp is easy to use and quick to deploy. Simply slide the ramp out from the rear of the vehicle to deploy. Then slide the ramp up and snap securely in place when loading is complete. The Simple Stow ramp fits flush against the floor when not in use, providing ample room for stowing luggage and other cargo items.



### STANDARD FEATURES

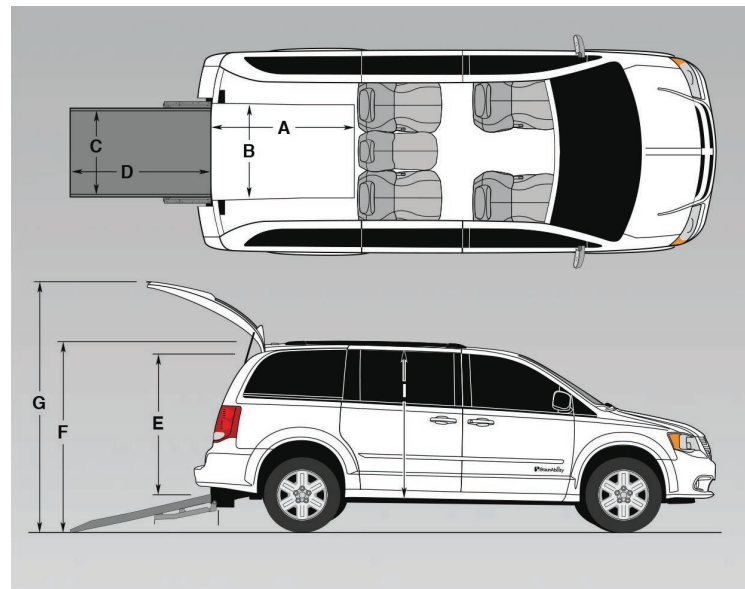
- FTA Buy America Compliant
- ADA, FMVSS and CMVSS Compliant
- Meets/Exceeds Altoona Test Requirements
- CARB Approved
- 56" Door Opening
- Short Floor (Lowered Aft of 2nd Row Seats)
- 32" Wide Manual Ramp with 1,000 lb Capacity
- OEM 2nd Row 3 Passenger Bench Seat
- ADA Commercial Flooring Throughout
- Altro on Lowered Floor
- Wheelchair Securement Tie-Downs - Slide-n-Click QRT With Lap and Shoulder Restraints
- Transmission Interlock
- ADA Ramp Lighting Mounted On Rear Hatch
- Back-Up Alarm

### OPTIONS

- Aftermarket 3rd Row 2-Passenger Bench Seat
- QRT-4000 4M Front Electric Locking Retractors
- Vinyl Covers for OEM Seats
- DOT Kit



The easy Stow ramp allows easy access to the rear of the vehicle for accessing luggage and cargo when the ramp is not in use.



		2011+
A	Lowered Floor Length	62"
B	Lowered Floor Width	33.25"
C	Usable Ramp Width	32"
D	Ramp Length	51"
E	Entrance Height	56"
F	Overall Height (Hatch Closed)	72"
F	Overall Height (Hatch Open)	89"