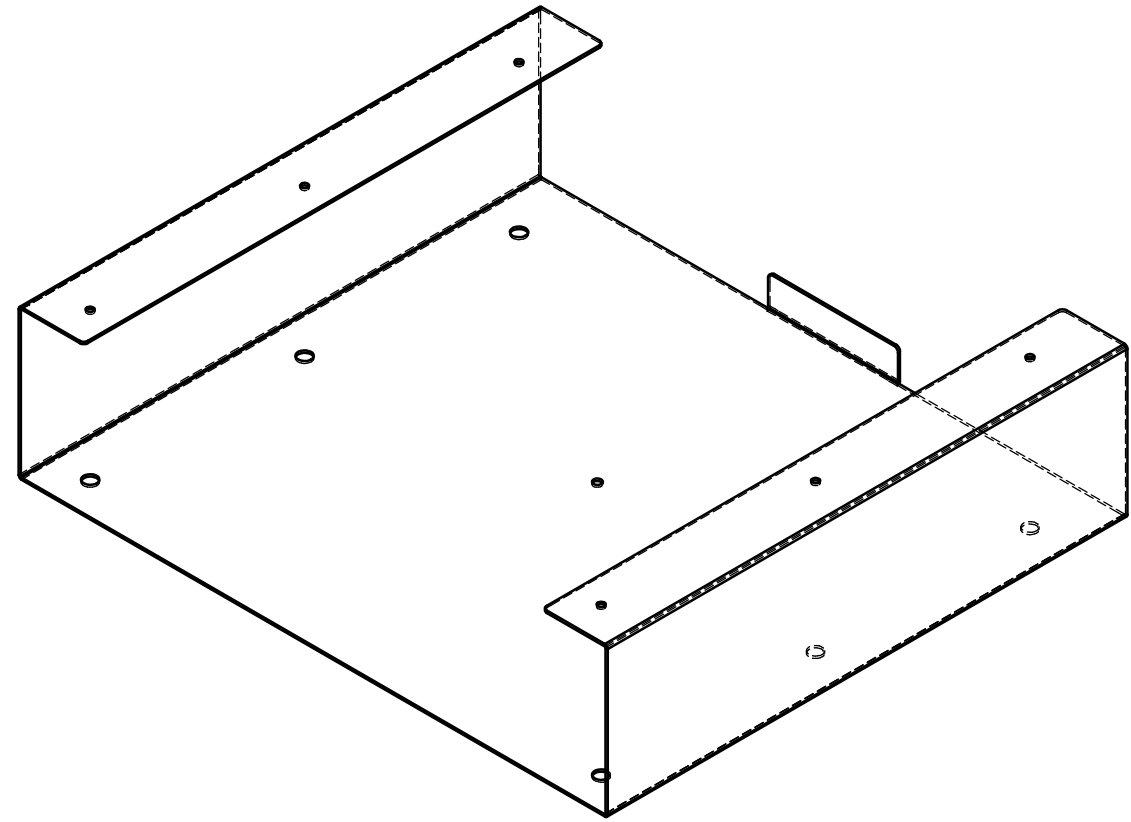
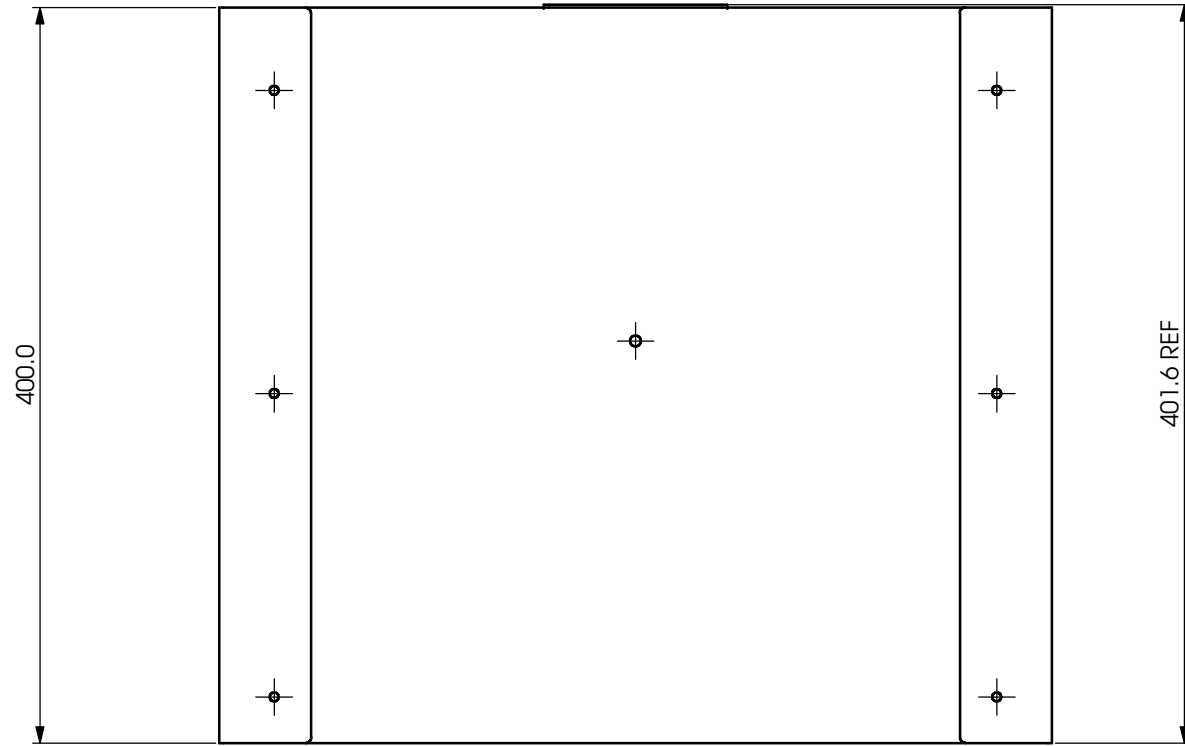


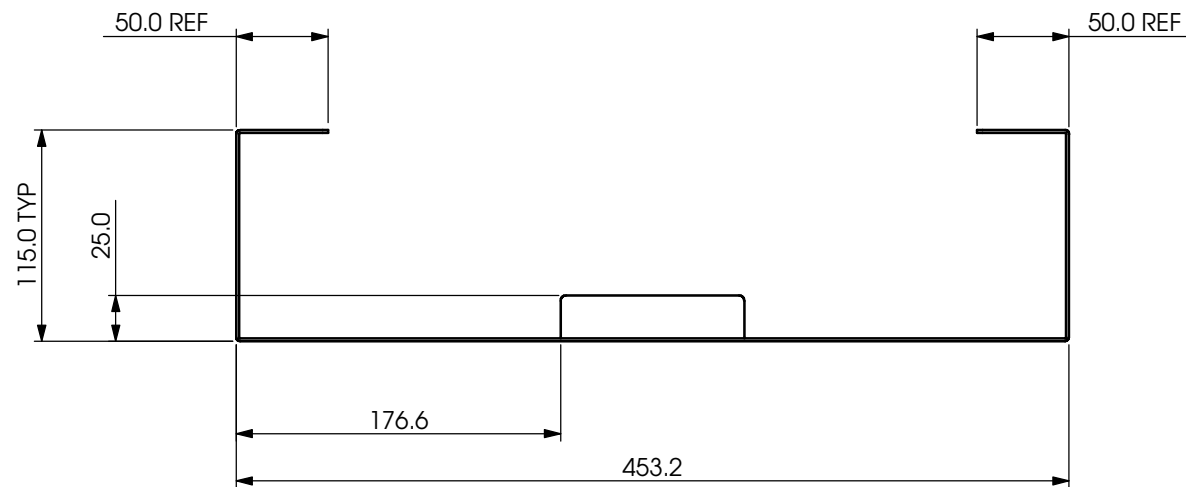
IF IN DOUBT - ASK

THIRD ANGLE PROJECTION TO BS308  DO NOT SCALE

REMOVE ALL BURRS & SHARP EDGES



ISOMETRIC VIEW



TOLERANCES	
0 DECIMAL PLACES	± 0.5
1 DECIMAL PLACE	± 0.25
2 DECIMAL PLACES	± 0.15
ANGULAR	± 0.25°

THESE TOLERANCES APPLY, AND ALL DIMS ARE IN MM UNLESS OTHERWISE STATED

ECP No	RELEASED	MATERIAL:
DATE	15/11/2002	FeP01 1.6mm (CR4)
NAME		FINISH:
		Painted
PROD. ENG.	APPROVED BY:	CHECKED BY:

VEE	DRAWN	DATE
10mm	CAB	15/11/2002
USED ON	SCALE	SHEET
---	1:4	1 OF 3
		PAPER
		A3

CASH BASES 

Cash Bases Ltd.
Newhaven,
East Sussex BN9 0LA
United Kingdom

Tel: +44 (0)1273 616300
Fax: +44 (0)1273 512010
www.cashbases.co.uk

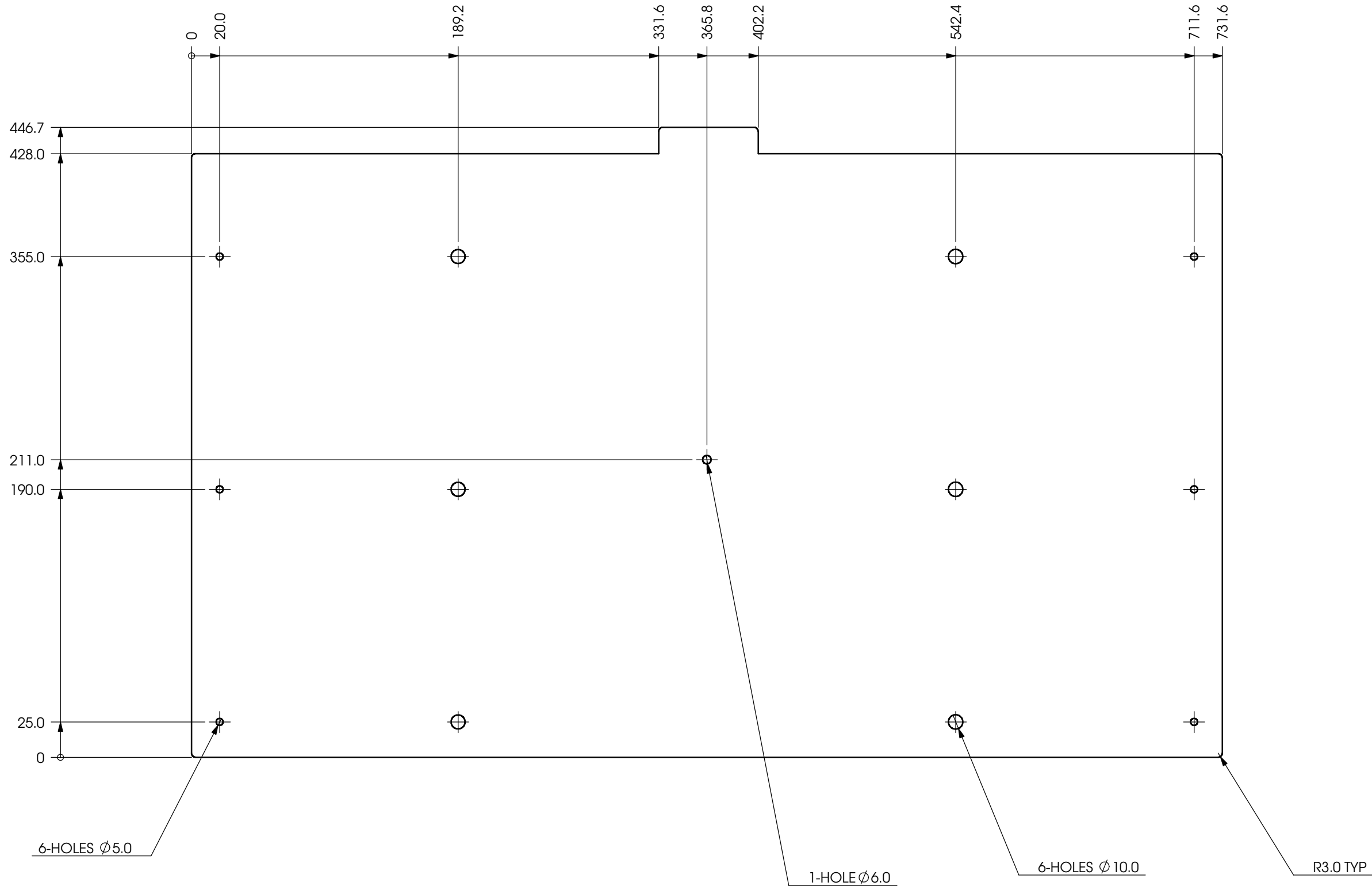
TITLE	U/COUNTER MNTG BRKT
REV	DRAWING NUMBER
A	F00851

© No part of this drawing may be reproduced or transmitted by any form, or in any means including photocopying and recording, without prior permission of Cash Bases Ltd. Newhaven, East Sussex.

IF IN DOUBT - ASK

THIRD ANGLE PROJECTION TO BS308  DO NOT SCALE

REMOVE ALL BURRS & SHARP EDGES



TOLERANCES	
0 DECIMAL PLACES	± 0.5
1 DECIMAL PLACE	± 0.25
2 DECIMAL PLACES	± 0.15
ANGULAR	± 0.25°

THESE TOLERANCES APPLY, AND ALL DIMS ARE IN MM UNLESS OTHERWISE STATED

ECP No	RELEASED	MATERIAL:
DATE	15/11/2002	FeP01 1.6mm (CR4)
NAME		FINISH:
		Painted
PROD. ENG.	APPROVED BY:	CHECKED BY:

VEE	DRAWN	DATE
---	CAB	15/11/2002
USED ON	SCALE	SHEET
---	1:3	2 OF 3
		PAPER
		A3

CASH BASES 

Cash Bases Ltd.
Newhaven,
East Sussex BN9 0LA
United Kingdom

Tel: +44 (0)1273 616300
Fax: +44 (0)1273 512010
www.cashbases.co.uk

TITLE	U/COUNTER MNTG BRKT
REV	DRAWING NUMBER
A	F00851

© No part of this drawing may be reproduced or transmitted by any form, or in any means including photocopying and recording, without prior permission of Cash Bases Ltd. Newhaven, East Sussex.