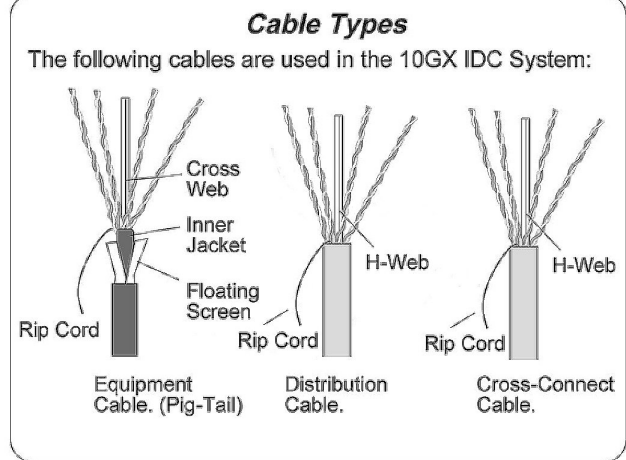
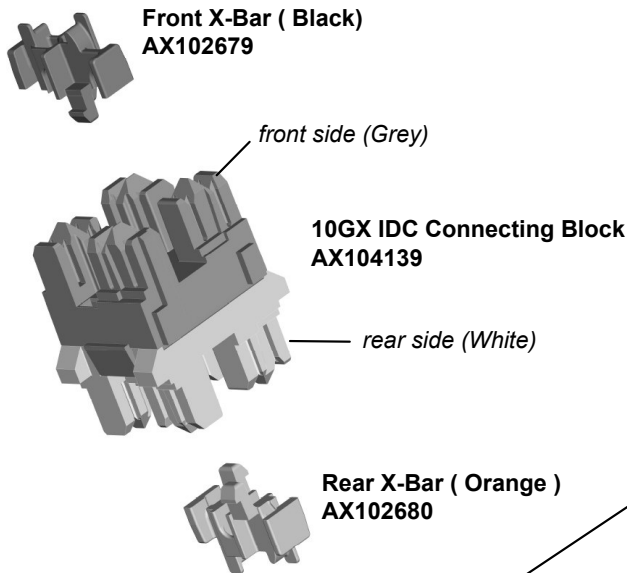


Installation Guide

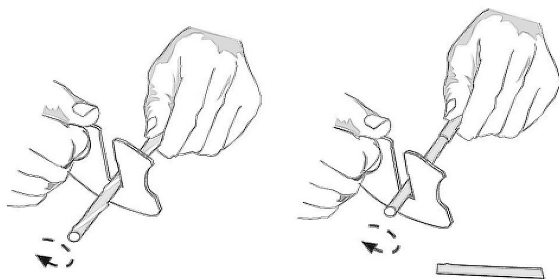
10GX IDC Connecting Block – Termination Procedure



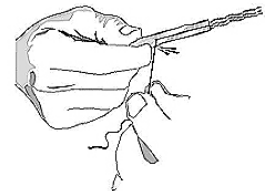
1. Preparing Equipment Cables (Pig-Tail with Floating Screen)

1.1. Using the Cable Preparation Tool (1797B), slit and remove a portion of outer jacket and floating screen.

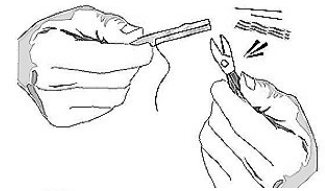
1.2. Slit and remove a small portion of inner jacket to expose the ripcord.



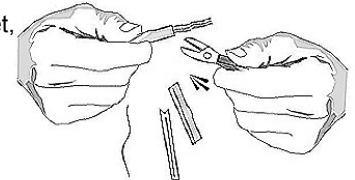
1.3. Slit jacket back with ripcord to a previously made mark indicating the Cable length to have.



1.4. Cut-off excess portion of jacket edge.

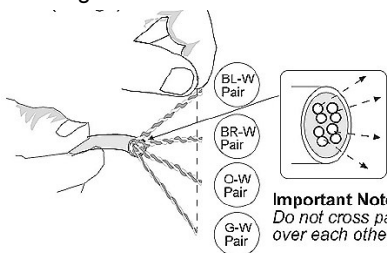


1.5. Cut-off ripcord, inner jacket, floating screen, and cross-web at the same level.

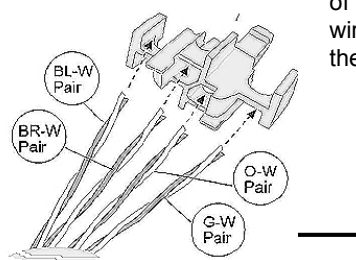


2. Terminating Equipment Cables onto 10GX IDC Connecting Blocks (rear side)

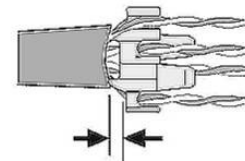
2.1. Arrange pairs into a straight line as shown.



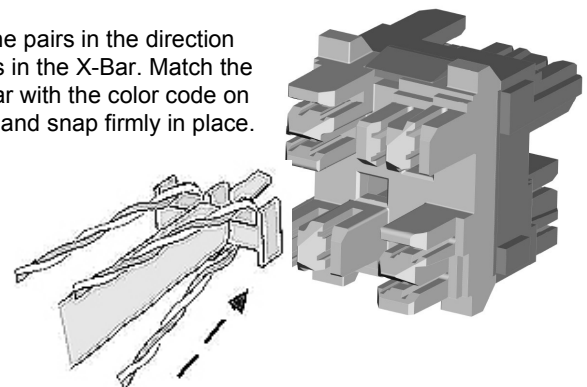
2.2. Position the four pairs into the slots in the Rear X-Bar (Orange) as per the wiring method shown below.



2.3. Ensure the X-Bar is positioned as close as possible to the jacket edge.

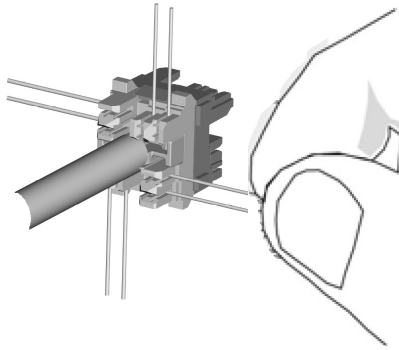


2.4. Fan the pairs in the direction of the slots in the X-Bar. Match the wired X-Bar with the color code on the Block, and snap firmly in place.



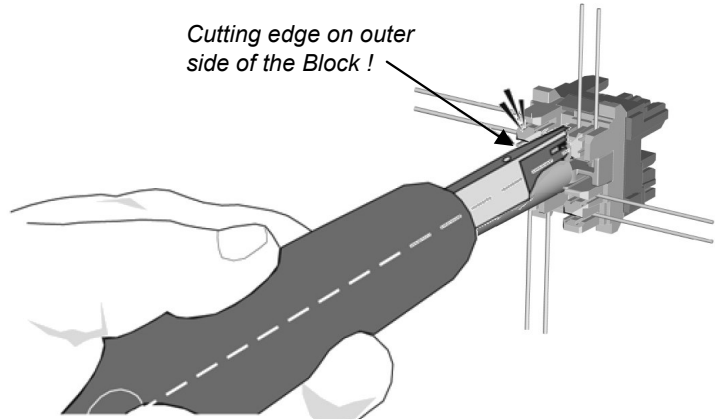
2.5. Untwist the pairs. Position and insert wires in Block slots. Match the **solid color** of the pair in the appropriate **colored slot**.

Note: Bonded Pair cables will require Preparation Tool 1797B for untwisting.



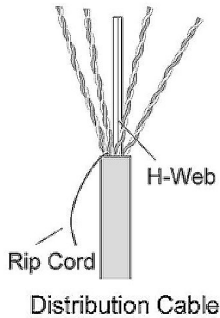
2.6. Hold Tool perpendicular to the Block and terminate..

Cutting edge on outer side of the Block !



Note: A GigaFlex Tool (AX100749) is recommended.

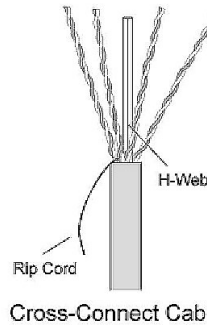
3. Terminating Distribution Cables onto 10GX IDC Connecting Blocks (rear side)



3.1. Follow the same procedure as shown in **section 1** removing the H-Web and Rip Cord.

3.2. Follow the same procedure as shown in **section 2** for Terminating Blocks onto Distribution Cables

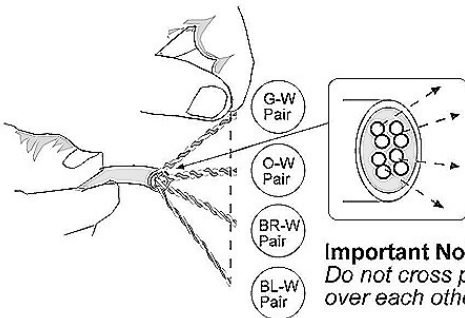
4. Preparing Cross-Connect Cables



4.1. Follow the same procedure as shown in **section 1** removing the H-Web and Rip Cord.

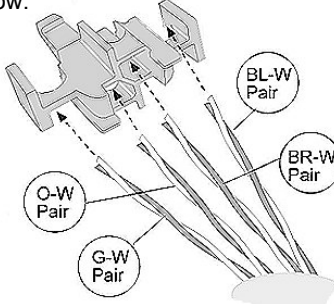
5. Terminating Cross-Connect Cables onto 10GX IDC Connecting Blocks (front side)

5.1. Arrange pairs into a straight line as shown.

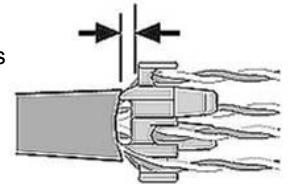


Important Note: Do not cross pairs over each other!

5.2. Position the four pairs into the slots in the Front X-Bar (Black) as per the wiring method shown below.



5.3. Ensure the X-Bar is positioned as close as possible to the jacket edge.



5.4. Fan the pairs in the direction of the slots in the X-Bar. Match the wired X-Bar with the color code on the Block, and snap firmly in place.

5.5. Follow terminating procedure as per section 2.5 and 2.6

