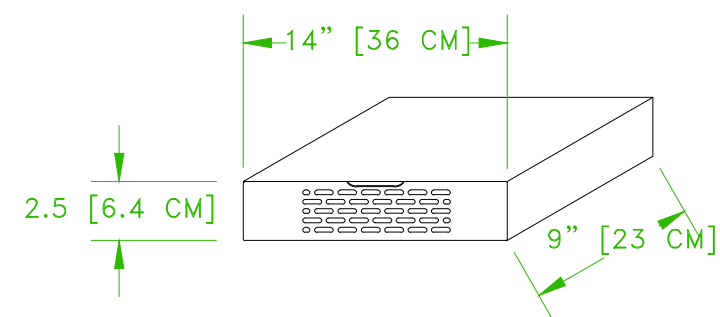
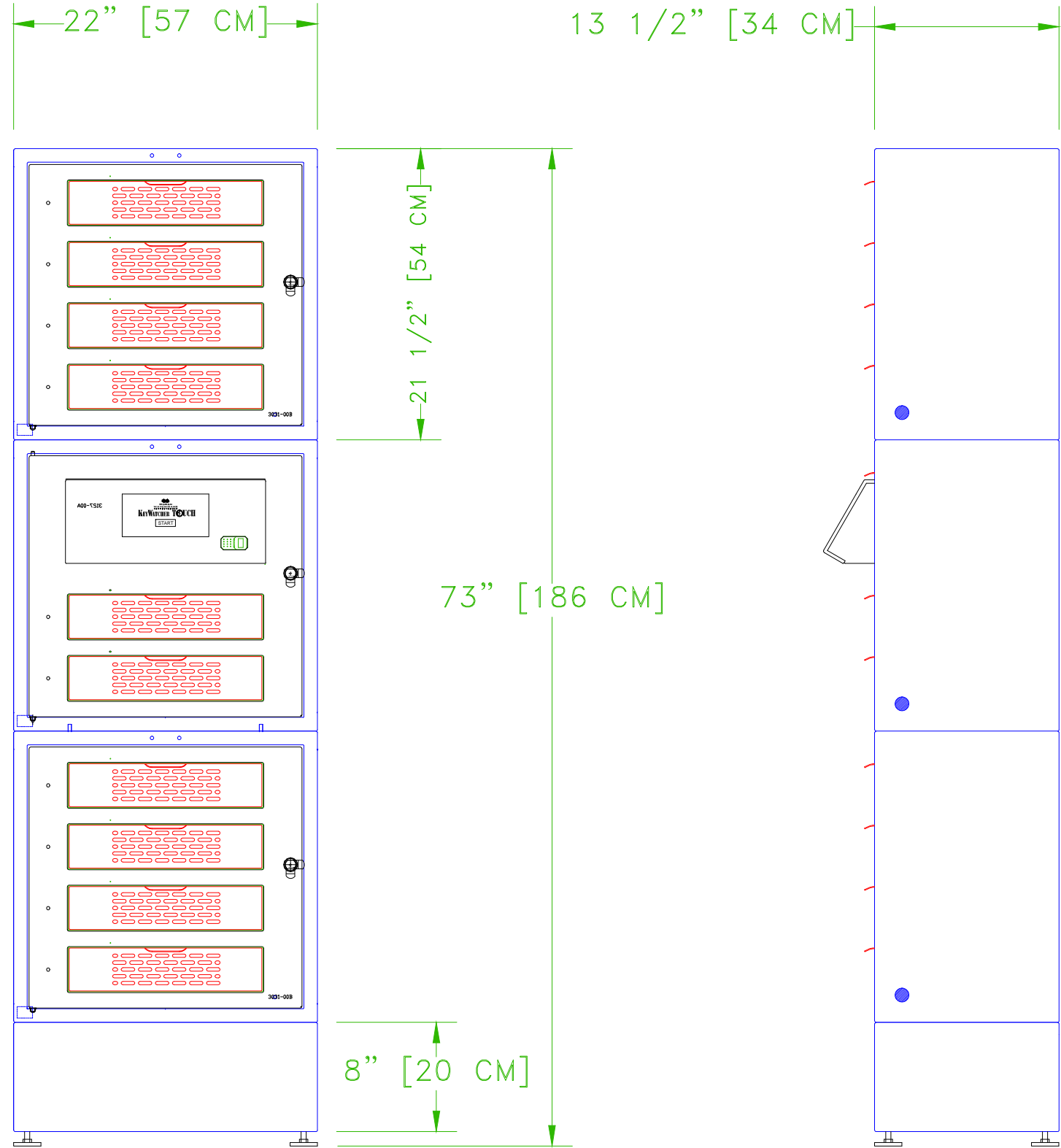



NOTICE: THIS DOCUMENT IS THE PROPERTY OF MORSE WATCHMANS INC. AND IS DELIVERED ON THE EXPRESS CONDITION THAT IT IS NOT TO BE DISCLOSED, REPRODUCED IN WHOLE, OR IN PART, OR USED FOR MANUFACTURE FOR ANYONE OTHER THAN MORSE WATCHMANS INC. WITHOUT ITS WRITTEN CONSENT, AND THAT NO RIGHT IS GRANTED TO DISCLOSE OR SO USE ANY INFORMATION CONTAINED IN SAID DOCUMENT. THIS RESTRICTION DOES NOT LIMIT THE RIGHT TO USE INFORMATION FURNISHED BY VENDORS OR OTHERS OUTSIDE THE MORSE WATCHMANS INC.



INDIVIDUAL LOCKER DIMENSIONS

FRONT VIEW

SIDE VIEW

| | | | |
|--|-----------|-------------|-----|
|  MORSE WATCHMAN® | | | |
| ASSETWATCHER 10 LOCKER CONFIGURATION LEFT | | | |
| SIZE | CAGE CODE | DWG NO. | REV |
| | | 4000-AW-10L | |
| SCALE | | SHEET OF | |