



## GARAGE USE AND CARE GUIDE

### MAKING ADJUSTMENTS

Your new garage cabinets are fully adjustable to fit your changing needs. Below are instructions for adjusting various components in your garage. It is **important that you follow these instructions** to ensure the long-term integrity of your garage cabinetry.

#### Shelves:

Your garage cabinets are fitted with both adjustable and fixed shelves. Typically, one fixed shelf is secured in every cabinet at approximately mid height. Fixed shelves help provide structural integrity to your garage cabinets and are secured with locking cams. We advise against moving them if possible. If you do need to move a fixed shelf, gently pop out the shelf from the shelf pins and unscrew the pins. Screw the pins back in at the desired location, as close to center height as possible.

It is **very important that you re-install the fixed shelf** and do not leave the system unsupported. If a blemish is left in the Melamine where your screws were originally set, please call us and we will be happy to mail you adhesive caps to cover any unsightly markings. Your other shelves are fully **adjustable**, and can easily be moved by just removing the 4 support pins and replacing them at the desired height. A pair of pliers may be helpful in removing and replacing the support pins. First, remove the shelves by simply lifting them up about 2 inches and then pulling them out. You may need to tap the shelf gently to secure it back into place when re-installing it. Be sure that the shelf has settled securely onto all four pins.

#### Hinges:

Please see attached diagram for hinge adjustment instructions.

### CLEANING

#### Melamine:

Melamine is both attractive and very durable. A damp cloth with a general household cleaner, such as 409 or glass cleaner will remove most spots. If you should get a tough spot (grease, glue, etc.), a small amount of nail polish remover, lacquer thinner or mineral spirits on a clean cloth should remove the stain. You should follow all instructions and safety precautions as listed on the container when using strong chemicals such as lacquer thinner or mineral spirits. Avoid using any abrasive cleaner.

#### Maple Butcher Block Counters:

Maple tops are extremely durable and easy to maintain. Should any rough spots or small gauges occur with your use, you can easily smooth them out with some fine grit sandpaper. To help preserve your counter top we recommend wiping it down with a standard deck oil once a year.

#### High Pressure Laminate Counters:

The same cleaning instructions indicated for Melamine above will work on high pressure laminate surface as well.

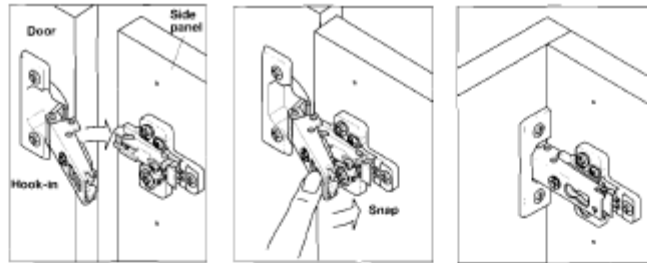
### WARRANTY

**Limited Lifetime Warranty** – Valet Organizers warrants to the original purchaser that the goods manufactured and installed by Valet Organizers shall be free, under normal use and service, from defects in material or workmanship for as long as you own your

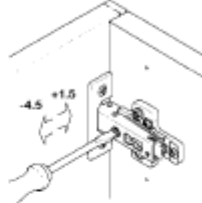
home. The warranty does not cover ordinary wear and tear, misuse, repairs, or modifications by unauthorized personnel, of the product. Any claims must be presented to Valet Organizers in writing, and Valet Organizers shall have a reasonable length of time to validate and remedy such defect by repair and/or replacement in accordance with this warranty.

## Concealed Hinges

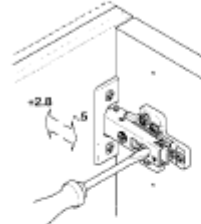
Duomatic - Salice



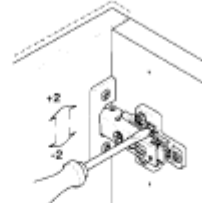
### Adjustments



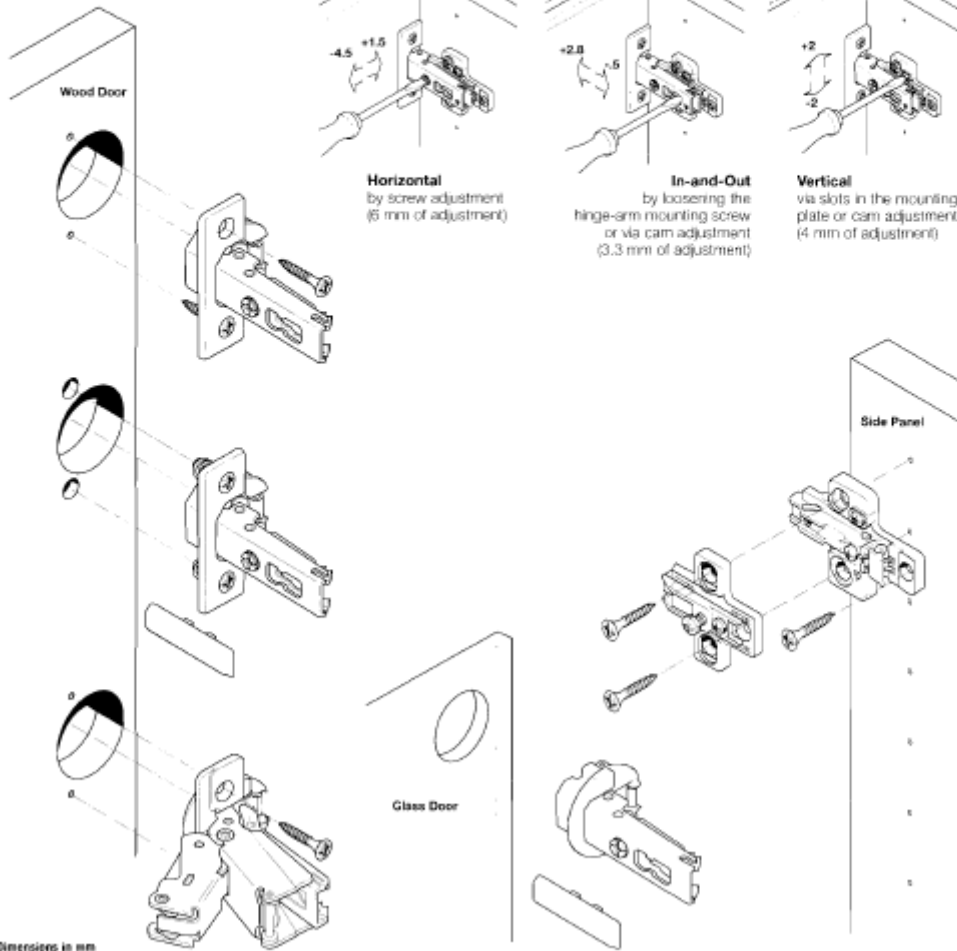
**Horizontal**  
by screw adjustment  
(5 mm of adjustment)



**In-and-Out**  
by loosening the  
hinge-arm mounting screw  
or via cam adjustment  
(3.3 mm of adjustment)



**Vertical**  
via slots in the mounting  
plate or cam adjustment  
(4 mm of adjustment)



Dimensions in mm  
inches are approximate