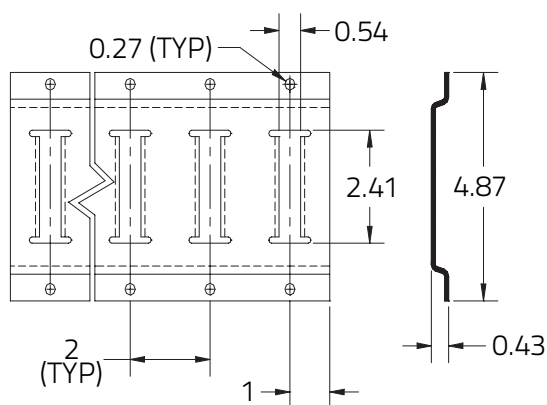
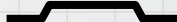
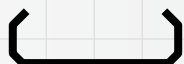


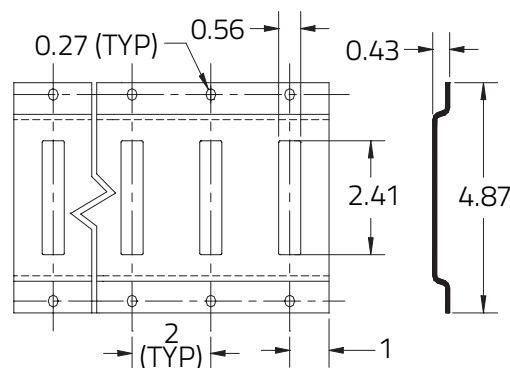


Roll Formed Cargo Track



Horizontal E-Track

12-gage, 50ksi minimum yield,
painted or galvanized



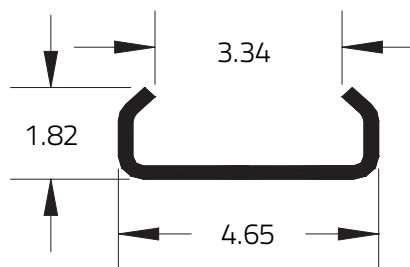
Horizontal A-Track

12-gage, 50ksi minimum yield,
painted or galvanized

Absolute *Reliability*

Hynes Industries provides imaginative, customized Roll Forming solutions with an unyielding focus on product quality, customer service and delivery performance. Hynes Industries boasts:

- Design and engineering services to identify the most cost effective, functional shapes for your applications
- 38 automated roll-forming lines with in-line punching and stamping capabilities, and a full complement of secondary finishing equipment
- A broad range of materials including: hot and cold rolled, hot dipped galvanized, HSLA, pre-painted, vinyl clad and stainless steel. We also offer aluminum, copper and brass
- On-site steel service center with an inventory of over 36,000,000# of prime quality material

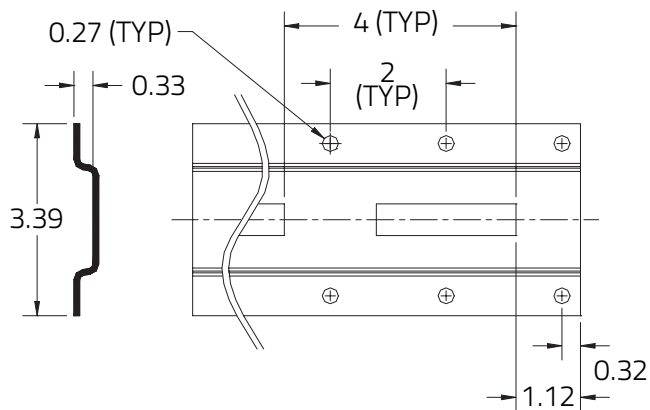
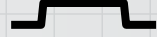


Sliding Winch Track

1/4" H.R.P.&O. Steel

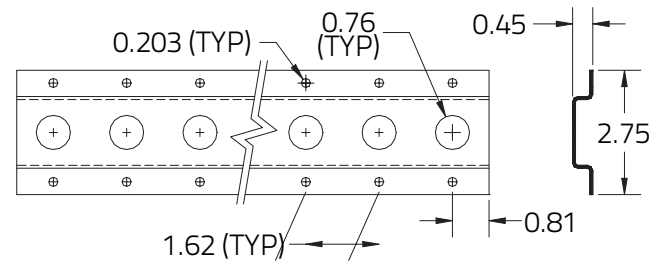


Roll Formed Cargo Track



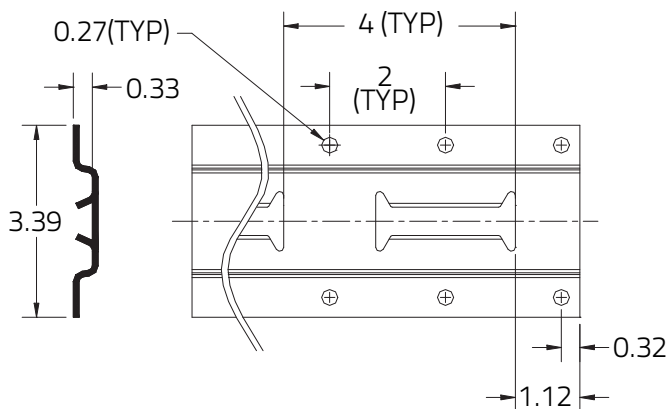
Vertical A-Track

12-gage, 50ksi minimum yield,
painted or galvanized



F-Track

15-gage, 50ksi minimum yield



Vertical E-Track

12-gage, 50ksi minimum yield,
painted or galvanized