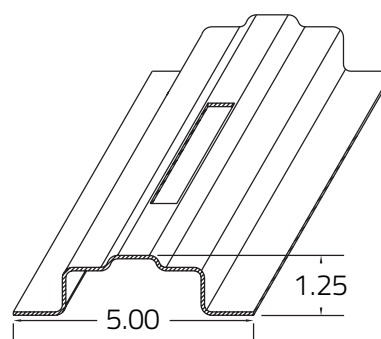




Roll Formed Logistic Side Posts

14 Ga. Galvanized Steel,
50 ksi min. yield
Mounting holes optional



1-1/4" Standard

(Ref. RFP No. 3887)

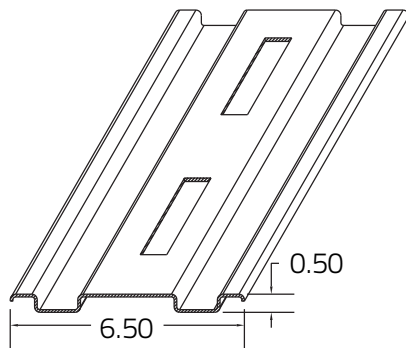
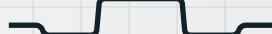
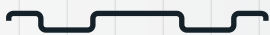
Absolute *Reliability*

Hynes Industries provides imaginative, customized Roll Forming solutions with an unyielding focus on product quality, customer service and delivery performance. Hynes Industries boasts:

- Design and engineering services to identify the most cost effective, functional shapes for your applications
- 38 automated roll-forming lines with in-line punching and stamping capabilities, and a full complement of secondary finishing equipment
- A broad range of materials including: hot and cold rolled, hot dipped galvanized, HSLA, pre-painted, vinyl clad and stainless steel. We also offer aluminum, copper and brass
- On-site steel service center with an inventory of over 36,000,000# of prime quality material

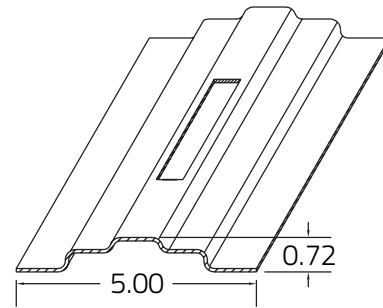


Roll Formed Logistic Side Posts



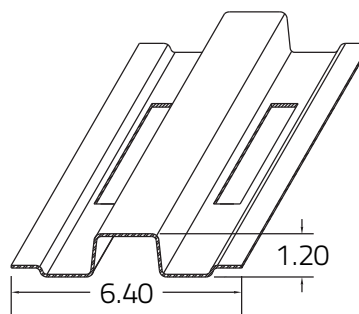
Rattle Van

(Ref. RFP No. 3888)



Shallow Post

(Ref. RFP No. 3892)



Double 'A' Slot

(Ref. RFP No. 3894)