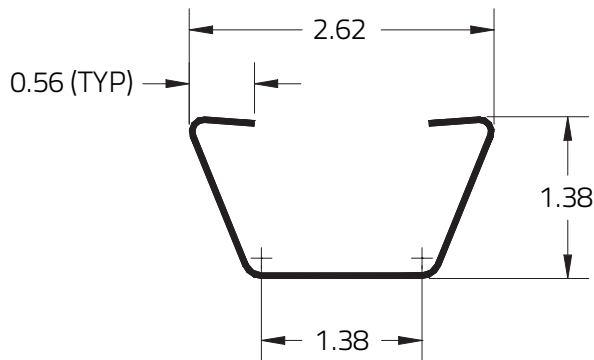
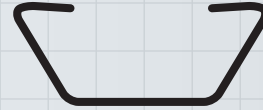


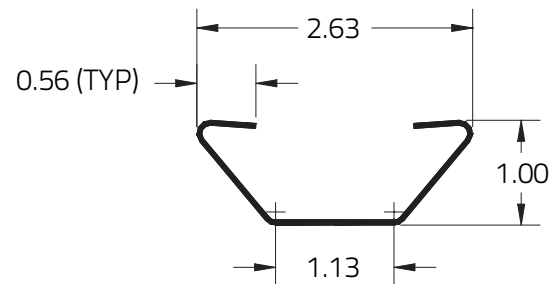


Roll Formed Roof Bows



1-3/8" Anti-Snag Roof Bow

(Ref. RFP No. 3876)



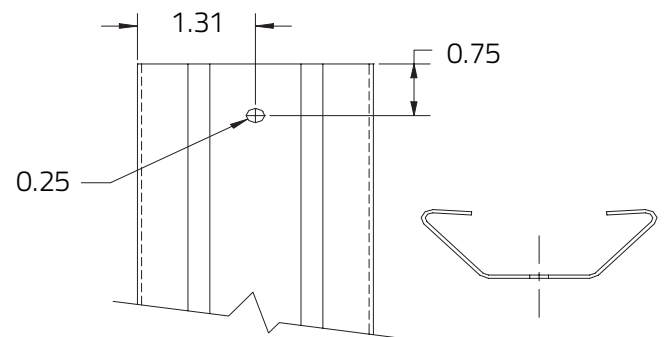
1" Anti-Snag Roof Bow

(Ref. RFP No. 3881, 3874)

Absolute *Reliability*

Hynes Industries provides imaginative, customized Roll Forming solutions with an unyielding focus on product quality, customer service and delivery performance. Hynes Industries boasts:

- Design and engineering services to identify the most cost effective, functional shapes for your applications
- 38 automated roll-forming lines with in-line punching and stamping capabilities, and a full complement of secondary finishing equipment
- A broad range of materials including: hot and cold rolled, hot dipped galvanized, HSLA, pre-painted, vinyl clad and stainless steel. We also offer aluminum, copper and brass
- On-site steel service center with an inventory of over 36,000,000# of prime quality material



Mounting Hole Configuration

Anit-Snag Roof Bows are available in commercial quality or HSLA galvanized steel in 16 and 18 gage. Standard mounting hole configuration is as pictured. Other mounting hole options are available upon request and may be subject to minor tooling charges.