

Product sheet

MolokClassic® 5m³

ORIGINAL
MOLOK®

Suitability

5m³ MolokClassic is suitable for collecting cardboard, paper, plastic, mixed waste etc. The container can be divided in to two parts. When divided, it is suitable also for collecting metal and glass.

Dimensions and materials

Volume	5 m ³
Height	2700 mm, 1500 mm of which is installed underground
Diameter	1700 mm
Well body material	HD Polyethylene
Lid and filling lid	HD Polyethylene
Lifting bag	Polypropylene
Reinforced lifting bag	Polypropylene + PVC

Rotation molded well body is completely waterproof. Filling hole situates about 1,1 m above ground level. Lifting bag is made of strong woven polypropylene. Safe Working Load (SWL) is indicated in the lifting bag. There is an aluminium lifting ring on the top of the lifting bag. Quick system or four lifting loops are attached to the lifting ring. The closing mechanism is situated at the bottom of the lifting bag. The SWL of 5m³ lifting bag is 1250 kg.

Accessories

- Quick system (standard)
- Inner hinge for lid
- Lifting bag (standard)
- Reinforced lifting bag
- Divided lifting bag 1/2 + 1/2
- Lifting bag for cardboard
- Semi-hard lifting bag
- Semi-hard reinforced lifting bag
- Lifting container
- Support catch for the filling lid
- Locking for filling lid
- Locking for lid

Lid alternatives

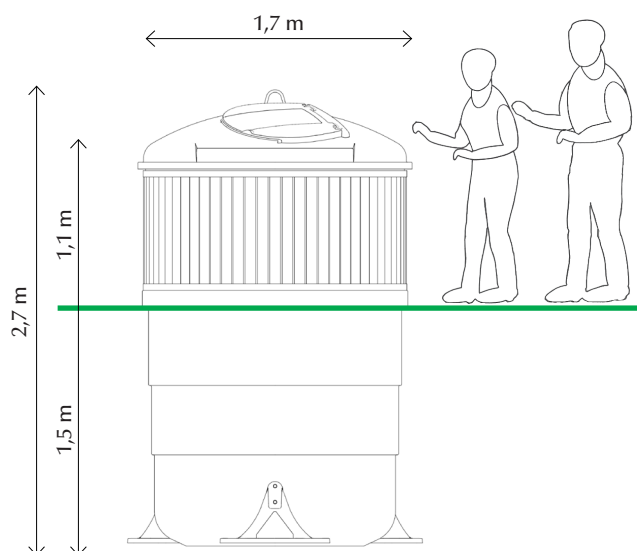
- Standard lid, diameter of the filling hole max. 600mm
- Combi lid
- Drum lid
- Vertical lid
- Lid with square filling slot

Framing options

- Composite board
- Recycled plastic board
- Aluminium (natural)
- Painted aluminium (RAL tones, standard RAL7024)
- Print framing

Standards

Molok®-Deep Collection System complies with the requirements of EN13071-standard.
Molok®-lifting bags are tested according to ISO 21898-standard.



Product sheet

MolokClassic® 3m³

ORIGINAL
MOLOK®

Suitability

3m³ MolokClassic is suitable for collecting cardboard, paper, plastic, glass, metal, mixed waste etc.

Dimensions and materials

Volume	3 m ³
Height	2700 mm, 1500 mm of which is installed underground
Diameter	1300 mm
Well body material	HD Polyethylene
Lid and filling lid	HD Polyethylene
Lifting bag	Polypropylene
Reinforced lifting bag	Polypropylene + PVC

Rotation molded well body is completely waterproof. Filling hole situates about 1,1 m above ground level. Lifting bag is made of strong woven polypropylene. Safe Working Load (SWL) is indicated in the lifting bag. There is an aluminium lifting ring on the top of the lifting bag. Quick system or four lifting loops are attached to the lifting ring. The closing mechanism is situated at the bottom of the lifting bag. The SWL of 3m³ lifting bag is 1250 kg.

Accessories

- Quick system (standard)
- Inner hinge for the lid
- Lifting bag (standard)
- Reinforced lifting bag
- Lifting bag for cardboard
- Semi-hard lifting bag
- Reinforced semi-hard lifting bag
- Lifting container
- Support catch for the filling lid
- Locking for filling lid
- Locking for lid

Lid alternatives

- Standard lid, diameter of the filling hole max. 450mm
- Combi Lid
- Drum Lid
- Park lid

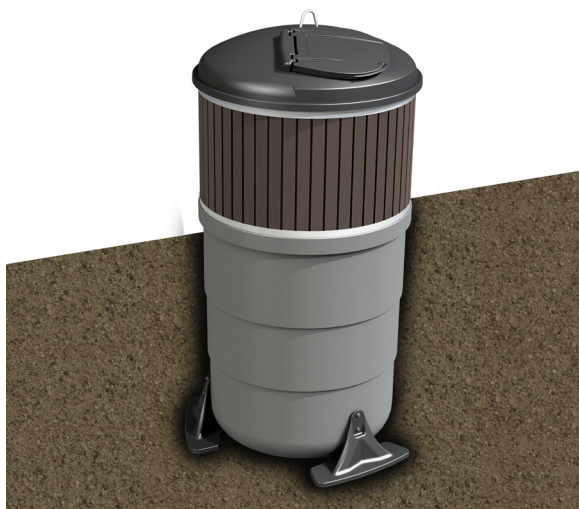
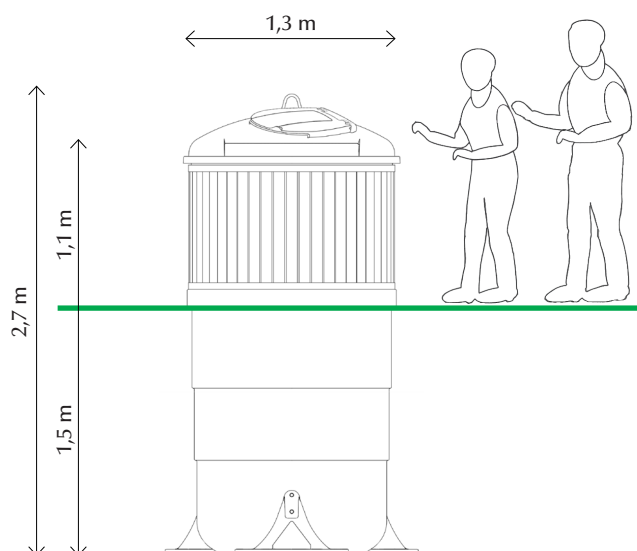
Framing alternatives

- Composite board
- Recycled plastic board
- Aluminium (natural)
- Painted Aluminium (RAL tones, RAL7024 as standard)
- Print framing

Standards

Molok®-Deep Collection System complies with the requirements of EN13071-standard.

Molok®-lifting bags are tested according to ISO 21898-standard.



Product sheet

MolokClassic® 1,3m³

ORIGINAL
MOLOK®

Suitability

1,3m³ MolokClassic is suitable for collecting trash (in parks etc.) glass, metal, organic waste etc.

Dimensions and materials

Volume	1,3 m ³
Height	2700 mm, 1500 mm of which is installed underground
Diameter	900 mm
Well body material	HD Polyethylene
Lid and filling lid	HD Polyethylene
Lifting bag	Polypropylene
Reinforced lifting bag	Polypropylene + PVC

Rotation molded well body is completely waterproof. Filling hole situates about 1,1 m above ground level. Lifting bag is made of strong woven polypropylene. Safe Working Load (SWL) is indicated in the lifting bag. There is an aluminium lifting ring on the top of the lifting bag. Quick system or four lifting loops are attached to the lifting ring. The closing mechanism is situated at the bottom of the lifting bag. SWL of 1,3m³ lifting bag is 1000 kg. Capacity of BioSystem inner container is 800 l, SWL 400 kg.

Accessories

- Quick system (standard)
- Inner hinge for lid
- Lifting bag (standard)
- Reinforced lifting bag
- BioSystem lifting container 800 l
- Support catch for the filling lid
- Locking for filling lid
- Locking for lid

Lid alternatives

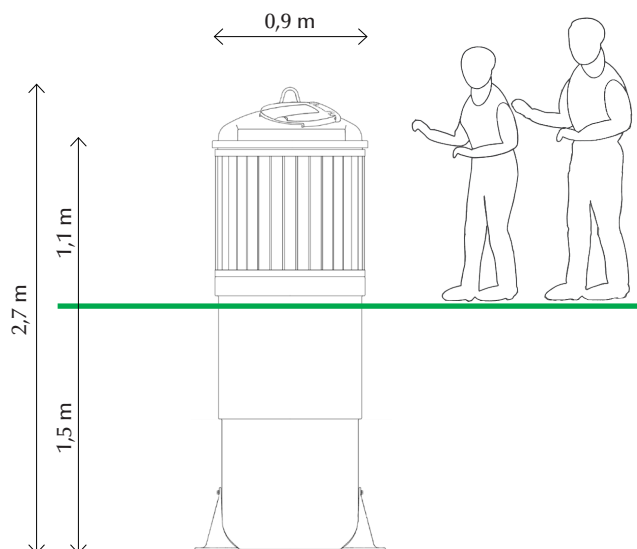
- Standard lid, diameter of the filling hole max. 310mm
- Park lid

Framing alternatives

- Composite board
- Recycled plastic board
- Aluminium (natural)
- Painted Aluminium (RAL tones, RAL 7024 as standard)
- Print framing

Standards

Molok®-Deep Collection System complies with the requirements of EN13071-standard.
Molok®-lifting bags are tested according to ISO 21898-standard.



Product sheet

MolokClassic® 800 l

ORIGINAL
MOLOK®

Suitability

800 l MolokClassic is suitable for collecting trash (in parks etc.) glass, metal, organic waste etc.

Dimensions and materials

Volume	800 l
Height	2700 mm, 1500 mm of which is installed underground
Diameter	750 mm
Well body material	HD Polyethylene
Lid and filling lid	HD Polyethylene
Lifting bag	Polypropylene
Reinforced lifting bag	Polypropylene + PVC

Rotation molded well body is completely waterproof. Filling hole situates about 1,1 m above ground level. Lifting bag is made of strong woven polypropylene. Safe Working Load (SWL) is indicated in the lifting bag. There is an aluminium lifting ring on the top of the lifting bag. Four lifting loops are attached to the lifting ring. The closing mechanism is situated at the bottom of the lifting bag. SWL of 800 l lifting bag is 800 kg. Capacity of BioSystem inner container is 500 l, SWL 400 kg.

Accessories

- Inner hinge for lid (standard)
- Lifting bag (standard)
- Reinforced lifting bag
- BioSystem lifting container 500 l
- Support catch for the filling lid
- Locking for filling lid
- Locking for lid

Lid alternatives

- Standard lid, diameter of the filling hole max. 250mm
- Park lid

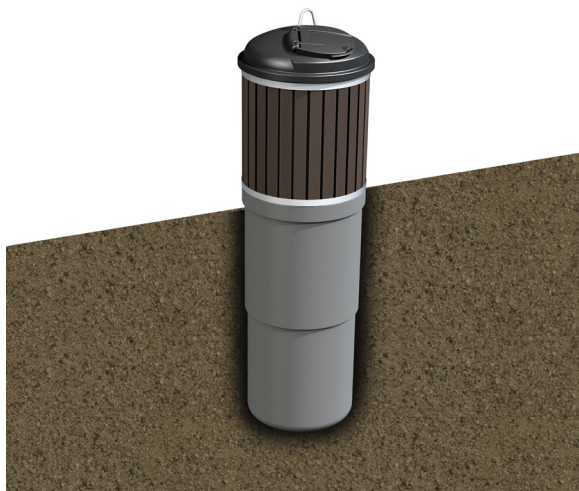
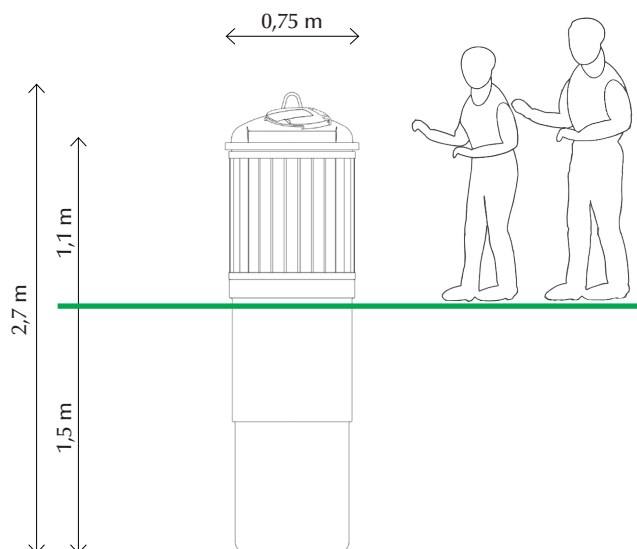
Framing alternatives

- Composite board
- Recycled plastic board
- Aluminium (natural)
- Painted Aluminium (RAL tones, RAL 7024 as standard)
- Print framing

Standards

Molok®-Deep Collection System complies with the requirements of EN13071-standard.

Molok®-lifting bags are tested according to ISO 21898-standard.



Product sheet

MolokClassic® 300 l

ORIGINAL
MOLOK®

Suitability

300 l MolokClassic is suitable for collecting trash (in parks etc.), glass and metal.

Dimensions and materials

Volume	300 l
Height	1960 mm, 1000 mm of which is installed underground
Diameter	600 mm
Well body material	HD Polyethylene
Lid and filling lid	HD Polyethylene
Lifting bag	Polypropylene
Reinforced lifting bag	Polypropylene + PVC

Rotation molded well body is completely waterproof. Filling hole situates about 0,9 m above ground level. Lifting bag is made of strong woven polypropylene. Safe Working Load (SWL) is indicated in the lifting bag. There is an aluminium lifting ring on the top of the lifting bag. Four lifting loops are attached to the lifting ring. The closing mechanism is situated at the bottom of the lifting bag. SWL of 300 l lifting bag is 200 kg.

Accessories

- Inner hinge for lid (standard)
- Lifting bag (standard)
- Reinforced lifting bag
- Support catch for the filling lid
- Locking for filling lid
- Locking for lid

Lid alternatives

- Standard lid, diameter of the filling hole max. 80mm
- Park lid

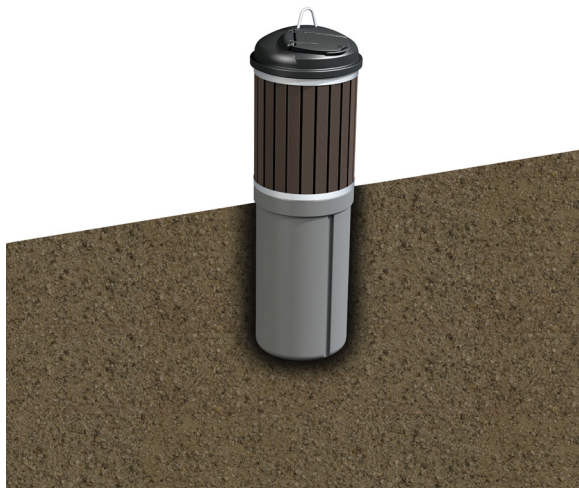
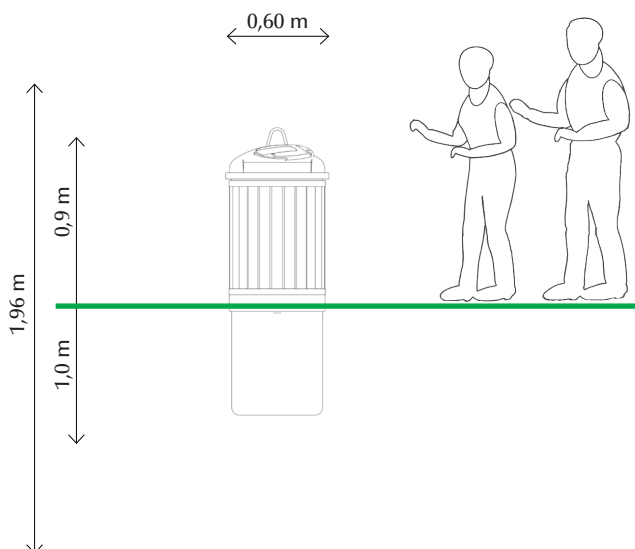
Framing alternatives

- Composite board
- Recycled plastic board
- Aluminium (natural)
- Painted Aluminium (RAL tones, RAL 7024 as standard)
- Print framing

Standards

Molok®-Deep Collection System complies with the requirements of EN13071-standard.

Molok®-lifting bags are tested according to ISO 21898-standard.



Product sheet

MolokClassic® Plus 3,0m³

ORIGINAL
MOLOK®

Suitability

3,0 m³ MolokClassic Plus is suitable for collecting paper, metal, glass, mixed waste etc.
Can be divided for two waste types.

Dimensions and materials

Volume	3 m ³
Height	1700 mm, 500 mm of which is installed underground
Diameter	1700 mm
Well body material	HD Polyethylene
Lid and filling lid	HD Polyethylene
Lifting bag	Polypropylene
Reinforced lifting bag	Polypropylene + PVC

Rotation molded well body is completely waterproof. Filling hole situates about 1,1 m above ground level.
Lifting bag is made of strong woven polypropylene. Safe Working Load (SWL) is indicated in the lifting bag.
There is an aluminium lifting ring on the top of the lifting bag. A quick system or four lifting loops are attached to the lifting ring. The closing mechanism is situated at the bottom of the lifting bag.
SWL of 3,0 m³ lifting bag is 1250 kg.

Accessories

Quick system (standard)
Inner hinge for lid (standard when divided)
Lifting bag (standard)
Reinforced lifting bag
Divided lifting bag 1/2 + 1/2
Divided reinforced lifting bag 1/2
Support catch for the filling lid
Locking for filling lid
Locking for lid

Lid alternatives

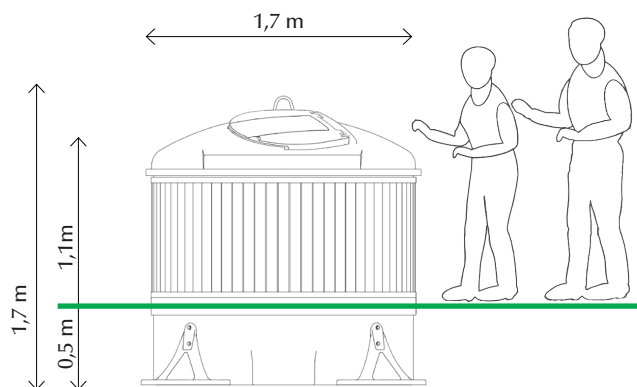
Standard lid, diameter of the filling hole max. 600mm
Combi lid
Drum lid
Vertical lid
Lid with square filling slot

Framing alternatives

Composite board
Recycled plastic board
Aluminium (natural)
Painted Aluminium (RAL tones, RAL 7024 as standard)
Print framing

Standards

Molok®-Deep Collection System complies with the requirements of EN13071-standard.
Molok®-lifting bags are tested according to ISO 21898-standard.



Product sheet

MolokClassic® Light 2,0m³

ORIGINAL
MOLOK®

Suitability

2,0m³ MolokClassic Light is suitable for collecting glass and metal, mixed waste etc.
Can be divided for two waste types.

Dimensions and materials

Volume	2 m ³
Height	1200 mm, Surface container
Diameter	1700 mm
Well body material	HD Polyethylene
Lid and filling lid	HD Polyethylene
Lifting bag	Polypropylene
Reinforced lifting bag	Polypropylene + PVC

Rotation molded well body is completely waterproof. Filling hole situates about 1,1 m above ground level.
Lifting bag is made of strong woven polypropylene. Safe Working Load (SWL) is indicated in the lifting bag.
There is an aluminium lifting ring on the top of the lifting bag. A quick system or four lifting loops are attached to the lifting ring. The closing mechanism is situated at the bottom of the lifting bag.
SWL of 3,0 m³ lifting bag is 1250 kg.

Accessories

- Quick system (standard)
- Inner hinge for lid (standard when divided)
- Lifting bag (standard)
- Reinforced lifting bag
- Divided lifting bag 1/2 + 1/2
- Divided reinforced lifting bag 1/2
- Support catch for the filling lid
- Locking for filling lid
- Locking for lid

Lid alternatives

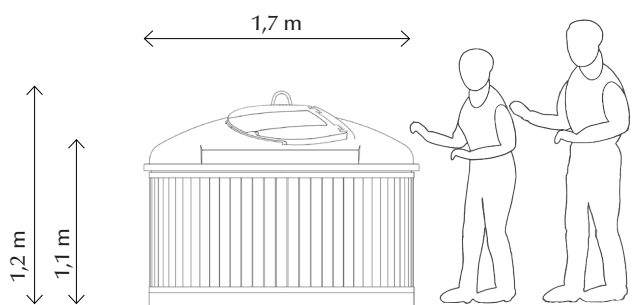
- Standard lid, diameter of the filling hole max. 600mm
- Combi lid
- Drum lid
- Vertical lid
- Lid with square filling slot

Framing alternatives

- Composite board
- Recycled plastic board
- Aluminium (natural)
- Painted Aluminium (RAL tones, RAL 7024 as standard)
- Print framing

Standards

Molok®-Deep Collection System complies with the requirements of EN13071-standard.
Molok®-lifting bags are tested according to ISO 21898-standard.



Product sheet

MolokClassic® 240 Bin cover

ORIGINAL
MOLOK®

Suitability

MolokClassic 240 bin cover is used as a cover for 240 liter waste bin.
Suitable for organic waste, metal or glass.

Dimensions and materials

Height	1350 mm, Surface container
Diameter	1050 mm
Well body material	HD Polyethylene
Lid and filling lid	HD Polyethylene

Framing alternatives

Composite board
Recycled plastic board
Aluminium (natural)
Painted Aluminium (RAL tones, RAL 7024 as standard)
Print framing

