

Addendum
SLIM Tach SL56, SL85, and RL67
K Series Pulse Wheel Installation Instructions

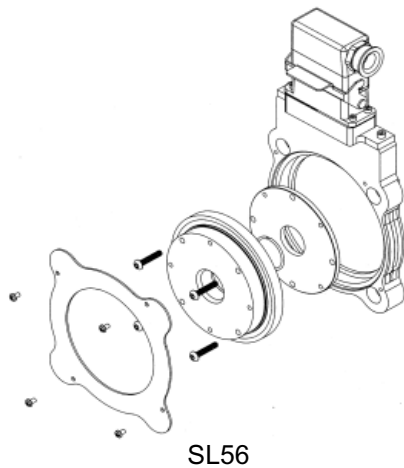
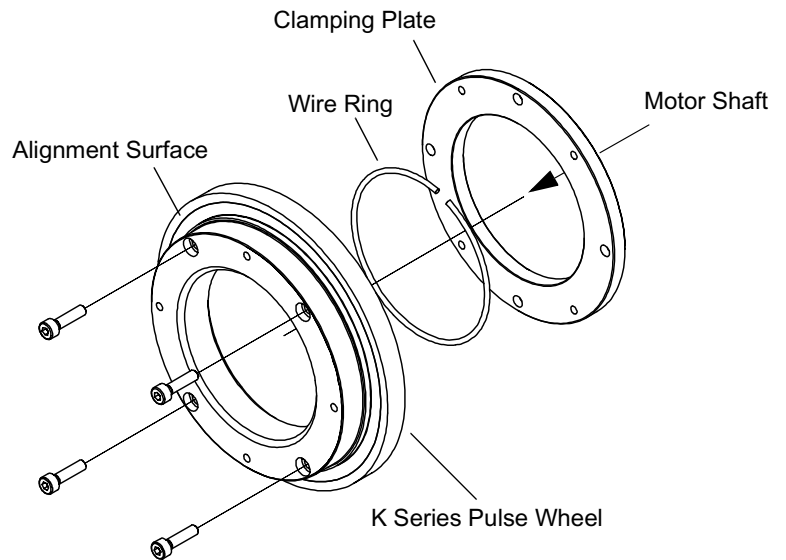
IMPORTANT!

These K series pulse wheel installation instructions are for SLIM Tach SL56, SL85, and RL67 digital tachometers. This is an addendum to the pulse wheel installation instructions in the SLIM Tach Instruction Manuals, documents numbers 791-1007-00-C and 791-1008-00-C, and 791-1009-00-C. **These instructions are to be followed to install K series pulse wheels only** (for example, K06 pulse wheel). If your unit uses a wheel other than the K wheel, follow the installation instructions in the Instruction Manual.

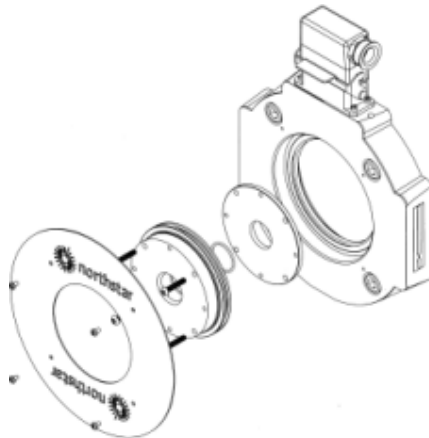
Installations Instructions

Note: For K wheel installation on SL56, a thru-hole cover must be used.

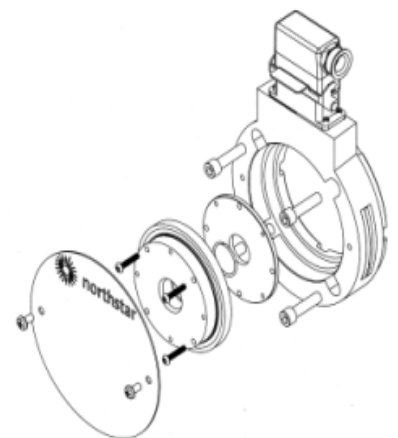
1. Push the clamping plate along the motor shaft until it is flush against the motor face.
2. Push the wire ring along the motor shaft until it is seated against the clamping plate.
3. Push the pulse wheel along the shaft until it is in contact with the wire ring.
4. Align the unthreaded holes on the wheel with the threaded holes in the clamping plate.
5. Insert screws and tighten, to snug, by hand.
6. Align the pulse wheel with the alignment surface. Refer to the Instruction Manual for proper pulse wheel alignment instructions.
7. Once the pulse wheel is aligned, tighten the screws in a star pattern to 30 inch-pounds of torque.



SL56



SL85



RL67

