

# SLIM Tach ST85 Encoder



**Feature:** Largest non-contact sensing gap on the market

**Benefit:** Wide air gap of 0.060". More generous axial play when aligning wheel to sensor; more forgiving in tough applications where brakes and dynamic shaft deflections typically cause wheel-to-sensor strikes.

**Feature:** More reliable signal for demanding applications and higher performance drives

**Benefit:** Less machine downtime

**Feature:** Diagnostic LED for convenient visual indication of encoder functionality

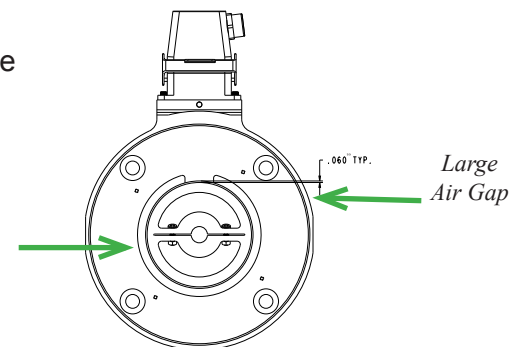
**Benefit:** Troubleshooting during installation and operation, preventing unscheduled downtime

**Feature:** Improved concentric shaft clamping design

**Benefit:** Industry leading wheel design positively locks with greater force to the shaft without damaging it

**Feature:** Standard double C-face housing

**Benefit:** Easy mounting between motor and brake



*LED for troubleshooting and diagnostics*

*Concentric clamping wheel*

## The New and Improved SLIM Tach ST85 Encoder

**Your Feedback Solution for 180 C-Face Motors**

Our NorthStar SLIM Tach ST85 digital tachometer combines our proven rugged NorthStar construction with upgraded advanced magnetic technology to provide our customers with reliable mill duty feedback while eliminating encoder related downtime.

*This product is an upgrade  
to the NorthStar SLIM Tach SL85*



Dynapar • 1675 N. Delany Rd. • Gurnee, IL 60031 • P: 800.873.8731  
E: [custserv@dynapar.com](mailto:custserv@dynapar.com) • [www.dynapar.com](http://www.dynapar.com)