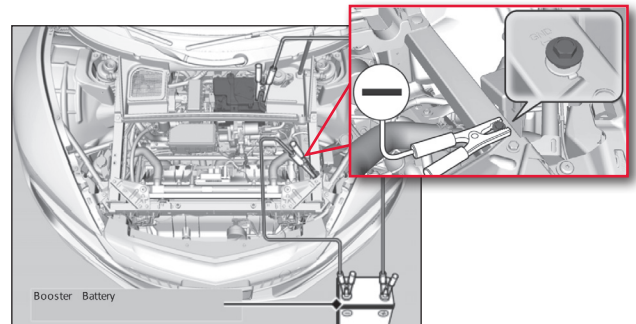
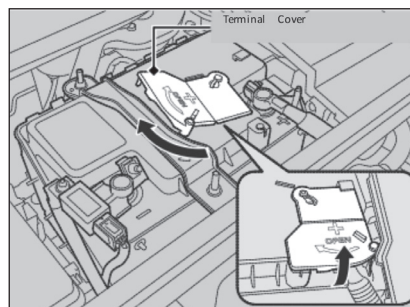


2017 Acura NSX Jump Start Procedure



Turn off the power to electric devices, such as audio and lights. Turn off the power system, then open the hood. Important: *You cannot apply or release the parking brake if the battery goes dead.*

1. Remove the maintenance cover.
 2. Slide the terminal cover on your vehicle's 12-volt battery positive. ⊕
 3. Connect the first jumper cable to your vehicle's 12-volt battery ⊕ terminal.
 4. Connect the other end of the first jumper cable to the booster battery ⊕ terminal.
- Note:** If you use a booster battery, only use a 12-volt booster battery. When using an automotive battery charger, select a charging voltage lower than 15 volts. Check the charger manual for the proper setting.
5. Connect the second jumper cable to the booster battery ⊖ terminal.
 6. Connect the other end of the second jumper cable to the front frame as shown below. Do not connect this jumper cable to any other part.
 7. If your vehicle is connected to another vehicle, start the assisting vehicle's engine and increase its RPM slightly.
 8. Attempt to start your vehicle's engine. If it turns over slowly, check that the jumper cables have good metal-to-metal contact.



Note: If it is not possible to move the vehicle, then a wheel lift/dolly will be used to move the car in preparation of loading it onto a flat bed.

Once your vehicle's engine has started, remove the jumper cables in the following order:

1. Disconnect the jumper cable from your vehicle's ground.
2. Disconnect the other end of the jumper cable from the booster battery ⊖ terminal.
3. Disconnect the jumper cable from your vehicle's 12-volt battery ⊕ terminal.
4. Disconnect the other end of the jumper cable from the booster battery ⊕ terminal.
5. Have the vehicle inspected by a nearby service station or an authorized Acura NSX dealer.