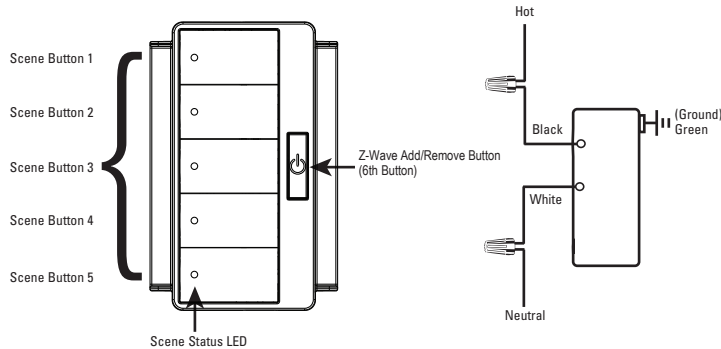


## 5-SCENE CONTROLLER

Catalog Number CL-5KP-X User Guide

### A Step-by-Step Guide for Installing and Operating the Wallmount 5-Scene Controller



#### PROGRAMMING SCENES:

Please refer to your controller manual for detail instructions on programming scenes onto the CL-5KP-X.

- The same scene can be programmed into multiple buttons if desired.
- Multiple scenes may be launched, and will each illuminate their own LED.

#### LAUNCHING SCENES:

The pressing of a programmed scene button will activate the pre-programmed scene. The scene LED will illuminate and provide an indication that this scene was turned on. If you press a non-programmed scene button you will not launch any scene.

#### UNINSTALLING THE CL-5KP-X:

A controller can be used to uninstall the CL-5KP-X regardless of whether it was the original controller that installed the device. If you experience problems uninstalling the CL-5KP-X with another controller, you can uninstall the CL-5KP-X by performing a factory reset with the following procedure. This will completely erase all scenes programmed in the CL-5KP-X.

1. Press and hold buttons 1, 3 and 5 for 5 seconds at the same time. DO NOT press any other scene controller buttons at this time. Release buttons 1, 3 and 5.
2. While in this state press and release the "Z-Wave Add/Remove" button. The successful reset of the CL-5KP-X will be indicated on the device by the continuous blinking of all 5 LED's.

The Wallmount 5-Scene Controller (CL-5KP-X) is a RF controller that provides the user the ability to launch preset scenes with the touch of a single button. It includes five buttons that can activate five individual scenes. The CL-5KP-X can be placed at entranceways, or in a convenient location where control of multiple scenes is desired. Scenes are groups of preconfigured settings for individual devices (switches, receptacles, dimmers, etc.). Scenes must be created in your controller and transferred to the CL-5KP-X. **Refer to your controller user manual for details.**

**CAUTION:** Power should be turned off, and verified to be off, before wiring any electrical device.

The CL-5KP-X requires 120V/AC connected to the Black and White wires, and grounding the green ground wire. Connect the CL-5KP-X per the diagram including connection of the green ground wire.

#### CL-5KP-X SCENE CONTROLLER NETWORK INSTALLATION INSTRUCTIONS:

This product may be added to a new or existing Z-Wave network. The CL-5KP-X has blue LEDs which will all blink when the device is not included in a Z-Wave network. The LEDs will not blink when the device is in a network. The blinking LEDs will indicate that the device has power, but is not yet installed in the network.

- To include this device in a Z-Wave network, select the command on your Z-Wave controller for inclusion (Install, Add Device, Add Node, Include Device, etc.). Then press the Z-Wave Add/Remove button one time to include it in the network. The LEDs will blink sequentially while the device is installing itself. DO NOT press any buttons while the device LEDs are blinking sequentially. After installation is complete the LEDs will stop blinking.
- To exclude this device from a Z-Wave network, select the command on your Z-Wave controller for exclusion (Uninstall, Remove Device, Remove Node, Exclude Device, etc.). Then press the Z-Wave Add/Remove button one time to exclude it from the network. The LEDs will start blinking, indicating that the device is no longer in the network.
- This product works with other Z-Wave products from different vendors and product categories as part of the same network.