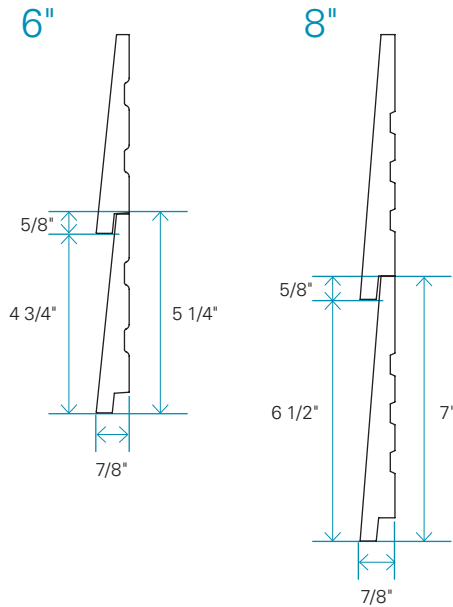


Rabbeted Bevel

TEXTURED FINISH

URBAHN® BRUSHED-FACE FINISH

INSTALLATION NAILED ON FURRING STRIPS



NOMINAL DIMENSIONS	INSTALLATION SYSTEM	FINISH	ACTUAL DIMENSIONS	OVERLAP	EXPOSED SURFACE	CONVERSION FACTOR*	INSTALLATION
6"	Nailed on furring strips	Textured and URBAHN® brushed-face	7/8" x 5 1/4"	5/8"	4 3/4"	1.26*	Horizontally
8"	Nailed on furring strips	Textured	7/8" x 7"	5/8"	6 1/2"	1.23*	Horizontally

General Specifications

SPECIES

- Spruce - Fir (SPF) / Sound tight knot

MANUFACTURING

- Kiln-dried (KD) between 12% to 16% humidity.
- Available in a textured finish and Maibec URBAHN® brushed-face finish.

PACKAGING

- 4' to 16' random lengths in bundles.

AVAILABLE COLORS

Textured finish

- Selection of solid colors (2 coats).
- Maibec Natural tones.

Maibec URBAHN® brushed-face finish

- Selection of solid colors (2 coats).

FACTORY-STAINING

- The stain is factory-coated on all six sides in a controlled environment for maximum stain absorption and retention. This also provides increased protection from the damaging effects of the sun and the elements.
- Low-volatile organic compounds (VOCs) water-based stains.



FSC® mixed sources certified siding available upon request.

For exterior use only.

* TO CONVERT SQUARE FEET TO FBM, SEE THE CALCULATION METHOD UNDER THE SUPPORT TAB AT MAIBEC.COM/US

Rabbeted Bevel

Installation System

FURRING STRIPS

Maibec® siding must be installed over a standard 16" on center stud built wall with OSB (Oriented Strand Board) sheathing or plywood, and an approved weather barrier. Use 1" x 4" furring strips (1" x 3" strips are acceptable). They must be kiln-dried, straight, without splits or nail holes to ensure a proper fastening base. Consult the applicable building codes in your region. See the Installation guide available on our website at maibec.com/us under the SUPPORT tab.

NAILS

- Use Maibec 2" hot-dipped zinc galvanized ring shank nail with textured head, factory-stained to match the siding color.
- Use 2 1/2" coil nails for pneumatic nailers for siding. Make sure to check nail gun compatibility. Not color-matched.
- Use unstained stainless steel grade 316 ringed nails if installing Maibec siding in Coastal regions[†].
- A plastic hammer end cap is provided to protect the wood.
- 10 lbs needed per 1,000 fbm.

Complementary Accessories

VENTILATED METALLIC STARTER STRIP

Installed over the furring strips. Serves as an anti-rodent barrier, provides proper ventilation and drainage to the wall. Made of galvanized steel, it comes in 10' lengths.

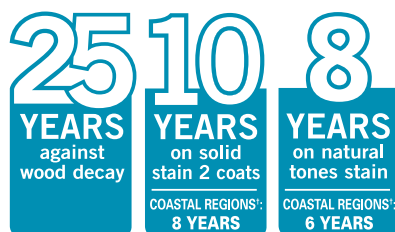
METALLIC OUTSIDE AND INSIDE CORNERS

With their sleek design, our metallic outside and inside corners are the perfect finishing touch for our flat profiles and Maibec URBANH® brushed-face finish siding. Made of aluminum, they come in 10' lengths.

How to Calculate

To calculate the amount of siding needed consult the Support/Installation guide tab at maibec.com/us. Add 3% for losses due to cutting.

WARRANTY* - SIDING TEXTURED FACE



WARRANTY* - SIDING BRUSHED FACE / MAIBEC URBANH®

