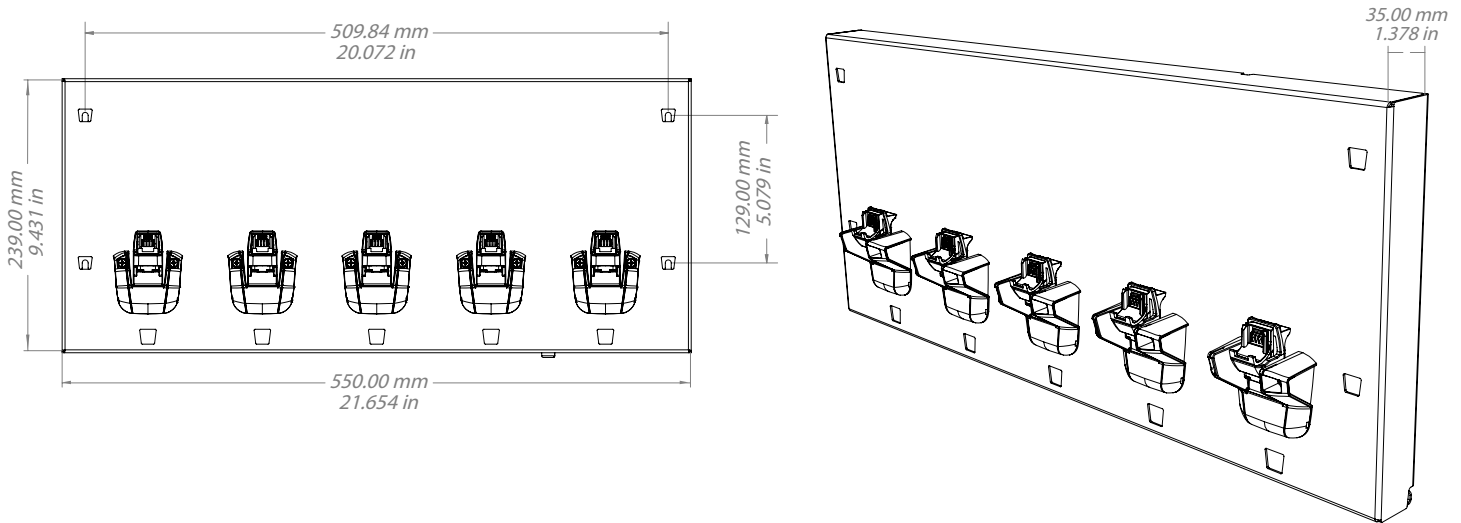


Mounting five-unit G7 charger panels

blacklinesafety



What you will need

- Pencil or chalk
- Four #10 or M5 screws
- Four wall anchors
- Drill with appropriately sized drill bit
- Screwdriver

Mounting five-unit charger panel to a wall

NOTE: Ensure that when you are picking out a spot to mount your charger panel that there are no hidden pipes or cables in the wall.

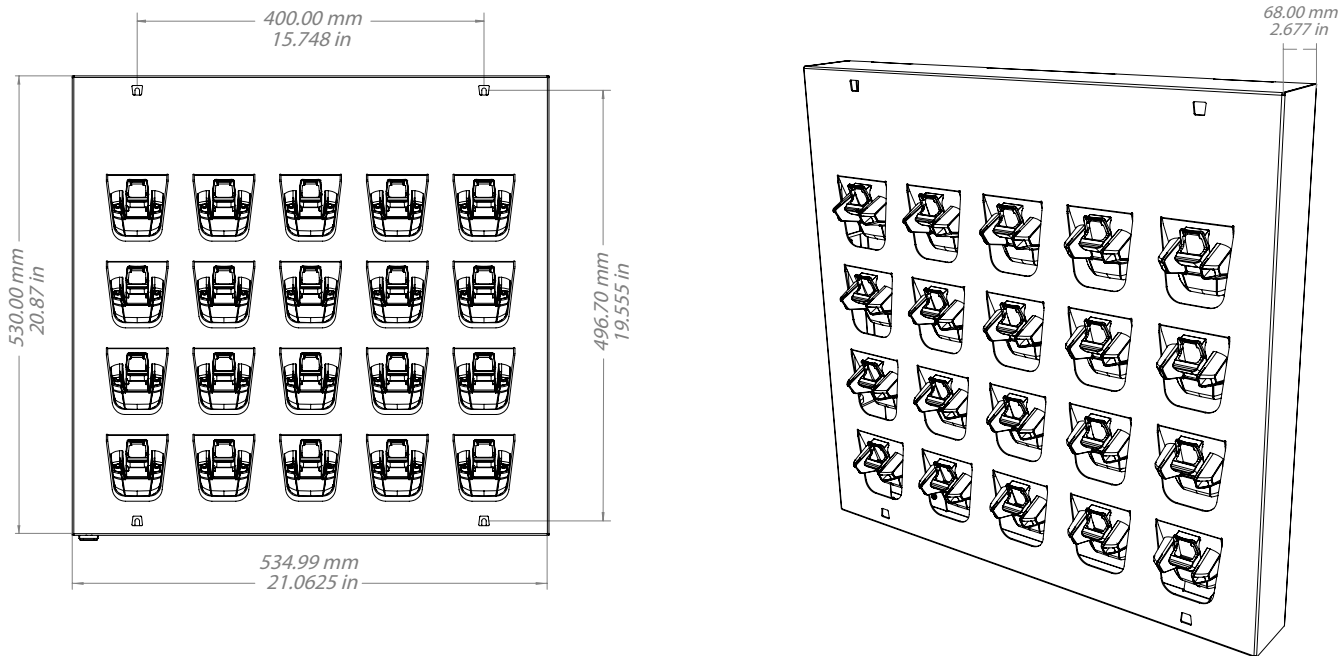
1. Hold the charger panel up the wall where you would like to mount it — set a level on top of the panel as you hold it up to keep it straight.
2. While holding the panel in place, feed the pencil or chalk through each of the four mounting holes and leave a mark the wall. These marks will be your guidelines for drilling.
3. Set the panel aside.

NOTE: Use a drill bit, screws and wall plug that are appropriate for the wall you are drilling into — for example, mounting the charger panel onto wood will require different tools than mounting onto drywall.

4. Drill into the wall, using your marks as guides. Ensure the hole is around the same length as your wall anchor.
5. Fit the wall anchor into the hole until it is flush with the wall, lightly tapping with a hammer if necessary.
6. Use a screwdriver to fit the screw into the wall anchor.
7. Once all screws are in the wall, simply lift up the charger panel and lower it down onto the screws so that the panel hooks onto them. If the panel needs to be removed, simply lift it up to unhook it from the screws.

Mounting 20-unit G7 charger panels

blacklinesafety



What you will need

- Pencil or chalk
- Four #10 or M5 screws
- Four wall anchors
- Drill with appropriately sized drill bit
- Screwdriver

Mounting five-unit charger panel to a wall

NOTE: Ensure that when you are picking out a spot to mount your charger panel that there are no hidden pipes or cables in the wall.

1. Hold the charger panel up the wall where you would like to mount it — set a level on top of the panel as you hold it up to keep it straight.
2. While holding the panel in place, feed the pencil or chalk through each of the four mounting holes and leave a mark the wall. These marks will be your guidelines for drilling.
3. Set the panel aside.

NOTE: Use a drill bit, screws and wall plug that are appropriate for the wall you are drilling into — for example, mounting the charger panel onto wood will require different tools than mounting onto drywall.

4. Drill into the wall, using your marks as guides. Ensure the hole is around the same length as your wall anchor.
5. Fit the wall anchor into the hole until it is flush with the wall, lightly tapping with a hammer if necessary.
6. Use a screwdriver to fit the screw into the wall anchor.
7. Once all screws are in the wall, simply lift up the charger panel and lower it down onto the screws so that the panel hooks onto them. If the panel needs to be removed, simply lift it up to unhook it from the screws.