

Hydrofinity™

Sustainable
Fabric Care Technologies
from Xeros

XE36C02 36kg | 80lb

Commercial Laundry Machine

Significantly reducing water & chemical use, our unique laundry system helps you cut operational costs and improves the look, feel & longevity of linens.

Along with cutting-edge equipment, you'll receive a tailored maintenance package, which can include support, installation, consumables, training, and servicing.

We are your simple, stress-free, single point of contact.

Machines are metered & monitored by **XConnect**, our innovative web-based IoT laundry management solution that lets you oversee operations in real time. On desktop or smartphone, you can view the activity of each Hydrofinity machine, generating reports to track how much water & energy has been used, with estimated ROI results.

XOrbs™ - Powering Sustainable Laundry Systems

Instead of relying on hot water & harsh chemicals, our washers use innovative spheres called **XOrbs™**, alongside industry-approved chemicals.

XOrbs™ gently massage fabrics and absorb dirt and use up to 80% less water per load than conventional machines.

Our unique solution gets linens clean in one cycle, reducing the need for pre-treating and repeat washes - reducing staff labour time as well as water and energy consumption. Along with dirt & stains, **XOrbs™** soak up stray colours, reducing staining, streaking and dulling of textiles.

XE36C02: Soft Mount Washer Extractor

The XE36C02 has a soft mount design and is our largest commercial machine. It benefits from a familiar front-loading design, integrated HMI touch screen, customised software and simple, intuitive and easy to use controls.

- * Proprietary rinsing system - minimises the amount of water used
- * Combination of pneumatic & electric valves
- * Large drum with easy-to-use front-loading design



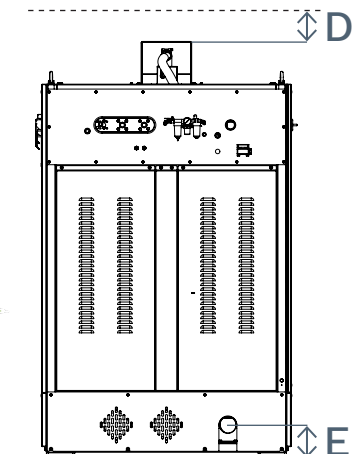
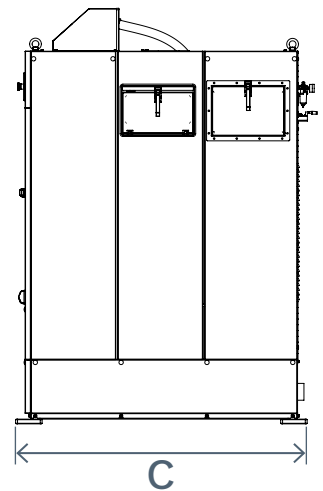
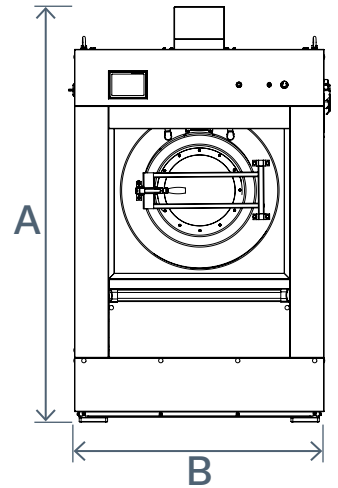


Sustainable
Fabric Care Technologies
from Xeros

XE36C02 36kg | 80lb

Commercial Laundry Machine

Machine Capacity	36 kg (80 lb)
Cylinder Size	Ø990 mm x 660 mm (Ø39.0" x 26.0")
Cylinder Volume	508 L (17.9 cu ft)
Water Inlets (2):	3/4 BSPT
Water Inlet Pressure	2-3 Bar [3 Bar Max] (29-43.5 psi [43.5 psi Max])
Drain Pipe	90 mm (3.5") OD
High Extract	Up to 750 RPM
G-Force	Up to 311 g
Heating (Electric)	XE36C02-xxxL: 18 kW XE36C02-xxxE: 27 kW
Control	7" Touch Screen
Net Weight	1900 kg (4188lb)
Dimensions (C x B x A)	1540 mm x 1320 mm x 2170 mm (60.6" x 52.0" x 85.4")
Drive Motor Size	4 kW
Drive System	Inverter / Variable Frequency Drive
Power	400 V (±10%) x 3ph x 50Hz (EU) 208-220 V x 3ph x 60Hz (US)
Wash Formulas	Up to 50
Rated Current (typical circuit breaker)	XE36C02-215H / S: 30 A (40 A breaker) XE36C02-215L: 55 A (70 A breaker) XE36C02-215E: 70 A (90 A breaker) XE36C02-400S: 20 A (20 A breaker) XE36C02-400E: 50 A (50 A breaker)
Door Diameter (Loading Aperture)	Ø500 mm (Ø19.7")
Recommended Centerline Height	1230 mm (48.4")
Noise Level	<85 dB (at workstation position)
Steam Inlet	1/2 BSPT
Steam Pressure	1.5 Bar Max (21.5 psi Max)
Drain Height	6 11/16" (170mm) – Dimension E
Air Supply Inlet	8mm OD Hose
Air Pressure	0.4-0.6 MPa (58-87 psi)
Air Flow Rate	<1 CFM (avg.), 10 s @ ~6 CFM (1/cycle)
Clearance above the machine (Dimension D)	200mm (7.9")
IP Rating	IP54



Hydrofinity EMEA

Evolution Unit 2 Whittle Way
Advanced Manufacturing Park
Rotherham, South Yorkshire
S60 5BL United Kingdom

t. +44 (0)114 269 9656

Hydrofinity USA

195 Dupont Drive
Providence, Rhode Island 02907

t. +1 (844) 207-1099

hydrofinity.com

