



IMPORTANT FOR FUTURE REFERENCE

Please complete this information and retain this manual for the life of the equipment:

Model #: _____

Serial #: _____

Date Purchased: _____

ENGLISH

Parts Manual

KR-SELVRF



WARNING

DO NOT store or use gasoline or other flammable vapors and liquids in the vicinity of this or any other appliance.

WARNING

Improper installation, alteration, service or maintenance can cause property damage, injury or death. Read the installation, operating and maintenance instructions thoroughly before installing or servicing this appliance.

WARNING

Installation, maintenance and repairs should be performed by a Pitco Authorized Service and Parts (ASAP) company technician or other qualified personnel. Installation, maintenance or repairs by an unauthorized and unqualified personnel will void the warranty.

WARNING

Installation and all connections must be made according to national and local regulations and codes in force.

WARNING

A country approved all pole circuit breaker with a minimum open contact gap of 3mm must be used for proper installation. (CE countries)

WARNING

During the warranty period if a customer elects to use a non-original part or modifies an original part purchased from Pitco and/or its Authorized Service and Parts (ASAP) companies, this warranty will be void. In addition, Pitco and its affiliates will not be liable for any claims, damages or expenses incurred by the customer which arises directly or indirectly, in whole or in part, due to the installation of any modified part and/or received from an unauthorized service center.

WARNING

This appliance, when installed, must be electrically grounded in accordance with local codes, or in the absence of local codes, with the National Electrical Code, ANSI/NFPA 70, or the Canadian Electrical Code, CSA C22.2, as applicable.

WARNING

Adequate means must be provided to LIMIT the movement of this appliance without depending on the electrical cord connection. Single appliances equipped with legs must be stabilized by installing anchor straps. All appliances equipped with casters must be stabilized by installing restraining chains.

WARNING

DO NOT alter or remove structural material on the appliance to accommodate placement under a ventilation hood.

WARNING

This appliance is intended for commercial/professional use only and should be operated by fully trained and qualified personnel. It is not intended for continuous mass production of food.

WARNING

If the supplied power cord is damaged, it must be replaced by a Pitco Authorized Service and Parts (ASAP) company technician, or a similarly qualified person in order to avoid a hazard.

WARNING

The power supply must be disconnected before servicing, maintaining or cleaning this appliance.

WARNING

The appliance is NOT water jet stream approved. DO NOT clean the appliance with a water jet or steam cleaner.

WARNING

DO NOT attempt to move this appliance or transfer hot liquids from one container to another when the unit is at operating temperature or filled with hot liquids. Serious personal injury could result if skin comes in contact with the hot surfaces or liquids.

WARNING

DO NOT sit or stand on this appliance. The appliance's front panel, tank, splash back, tank cover, work shelf, drain board is not a step. Serious injury could result from slipping, falling or contact with hot liquids.

WARNING

NEVER use the appliance as a step for cleaning or accessing the ventilation hood. Serious injury could result from slips, trips or from contacting hot liquids.

WARNING

Potential fire danger exists if the cooking oil level is below the minimum indicated level. The cooking oil level should NOT be allowed to fall below the minimum indicated level line at any time. The use of old cooking oil can be dangerous as it will have a reduced flash point and be more prone to foaming over.

WARNING

The contents of the crumb catch and/or filter pan of any filter system must be emptied into a fireproof container at the end of each day. Some food particles can spontaneously combust if left soaking in certain types of oil or shortening.

WARNING

Completely shut the appliance down when shortening/oil is being drained from the appliance. This will prevent the appliance from heating up during the draining and filling process. Serious injury can occur.

WARNING

This appliance is intended for indoor use only.

WARNING

DO NOT operate appliance unless all panels and access covers are attached correctly.

WARNING

It is recommended that this appliance be inspected by a qualified service technician for proper performance and operation on a yearly basis.

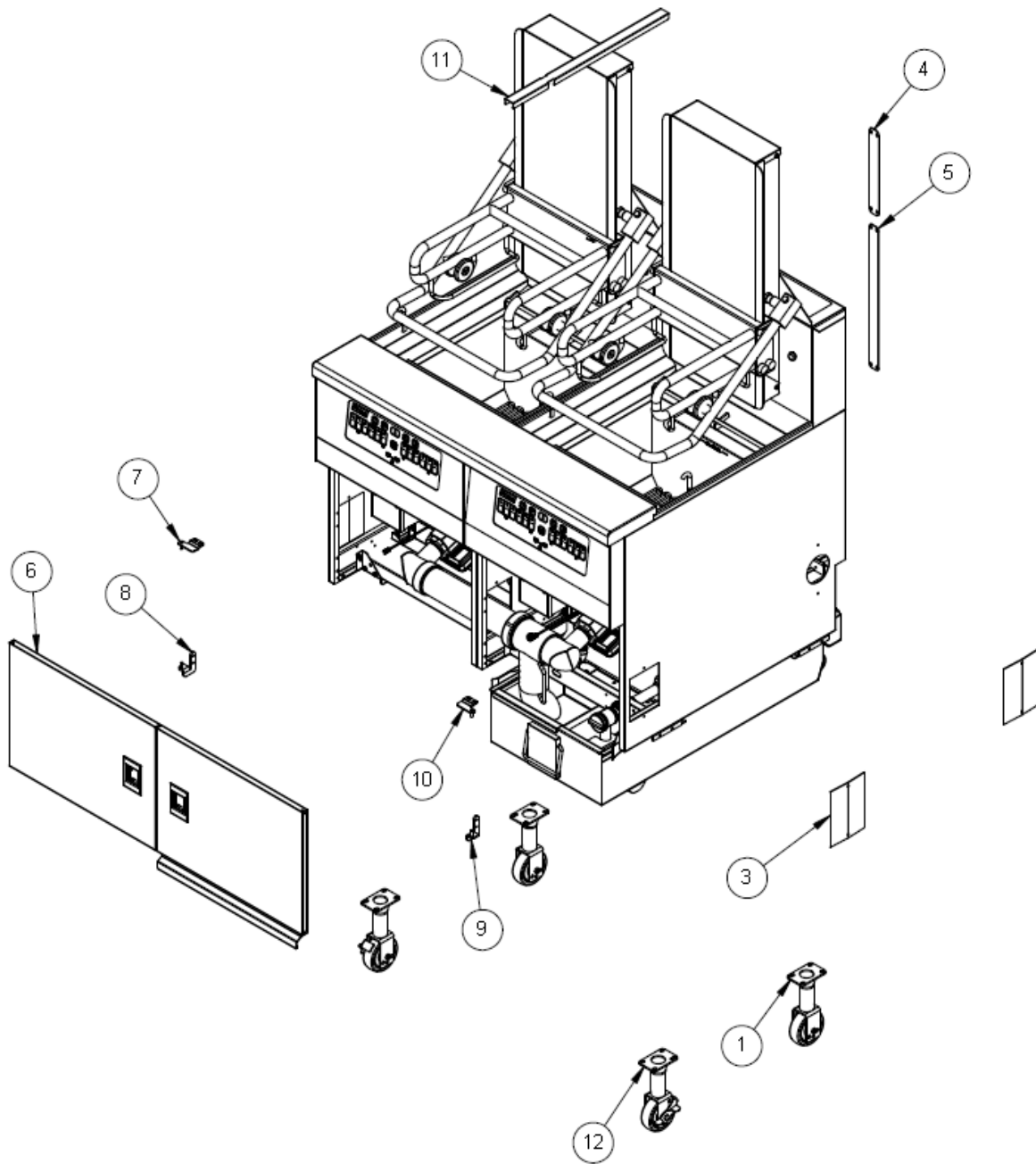
Table of Contents

A.	FRYER PARTS LIST.....	4
	FRYER DETAIL	5
B.	DRAIN LINES PARTS LIST.....	6
	DRAIN LINE DETAILS	7
C.	FILTER PAN PARTS LIST.....	8
	FILTER PAN DETAIL	9
D.	FILTER PUMP LIST.....	10
	FILTER PUMP DETAIL.....	11
	FILTER PAN AND PUMP DETAIL	13
E.	CABINET ASSEMBLY PARTS LIST.....	14
	CABINET ASSEMBLY DETAIL.....	15
F.	CABINET ASSEMBLY INSTRUCTIONS LIST.....	18
	CABINET ASSEMBLY INSTRUCTION DETAIL	19
G.	TANK PARTS LIST.....	20
	TANK DETAIL	21
H.	ENTRANCE BOX PARTS LIST	22
	ENTRANCE BOX DETAILS.....	23
	ENTRANCE BOX DETAILS.....	24
I.	BASKET LIFT, LIFTER.CARRIAGE ASSEMBLY PARTS LIST	25
	BASKET LIFT, LIFTER/CARRIAGE ASSEMBLY DETAILS	26
J.	FLUE, WELDMENT PARTS LIST.....	27
	FLUE, WELDMENT DETAILS	28
K.	FRONT PANEL ASSEMBLY PART LIST	29
	FRONT PANEL, BEZEL ASSEMBLY DETAILS	30
L.	ONBOARD OIL RESERVOIR PARTS LIST	31
	ONBOARD OIL RESERVOIR DETAILS.....	32
M.	DOOR ASSEMBLY PARTS LIST.....	33
	DOOR ASSEMBLY DETAILS.....	34

A. FRYER PARTS LIST

ITEM NO.	PART NO.	DESCRIPTION	QTY
1	B3902302	CASTER, SINGLE RIGID NON-LOCKING 9"	2
1	B3902304	CASTER, SINGLE RIGID LOCKING 9"	2
3	A6613102	FILTER, CABINET COVER DRAIN LINE SST	4
4	A1872702	CABINET, STRIP JOINING REAR TOP S*LVRF TO S*LVRF	1
5	A1872704	CABINET, STRIP JOINING REAR BOTTOM S*LVRF TO S*LVRF	1
6	B2304601	DOOR, ASSEMBLY S*LVRF SLAM ACTION	2
7	B3802801	HINGE, WELDMENT UPPER LH S*LVRF	1
8	B3801802	HINGE, WELDMENT LOWER LH SG	1
9	B3801802	HINGE, WELDMENT LOWER RH SG	1
10	B3802802	HINGE, WELDMENT UPPER RH S*LVRF	1
11	A1910902	CHANNEL STRIP, TANK JOINING SELVRF TO SELVRF	1

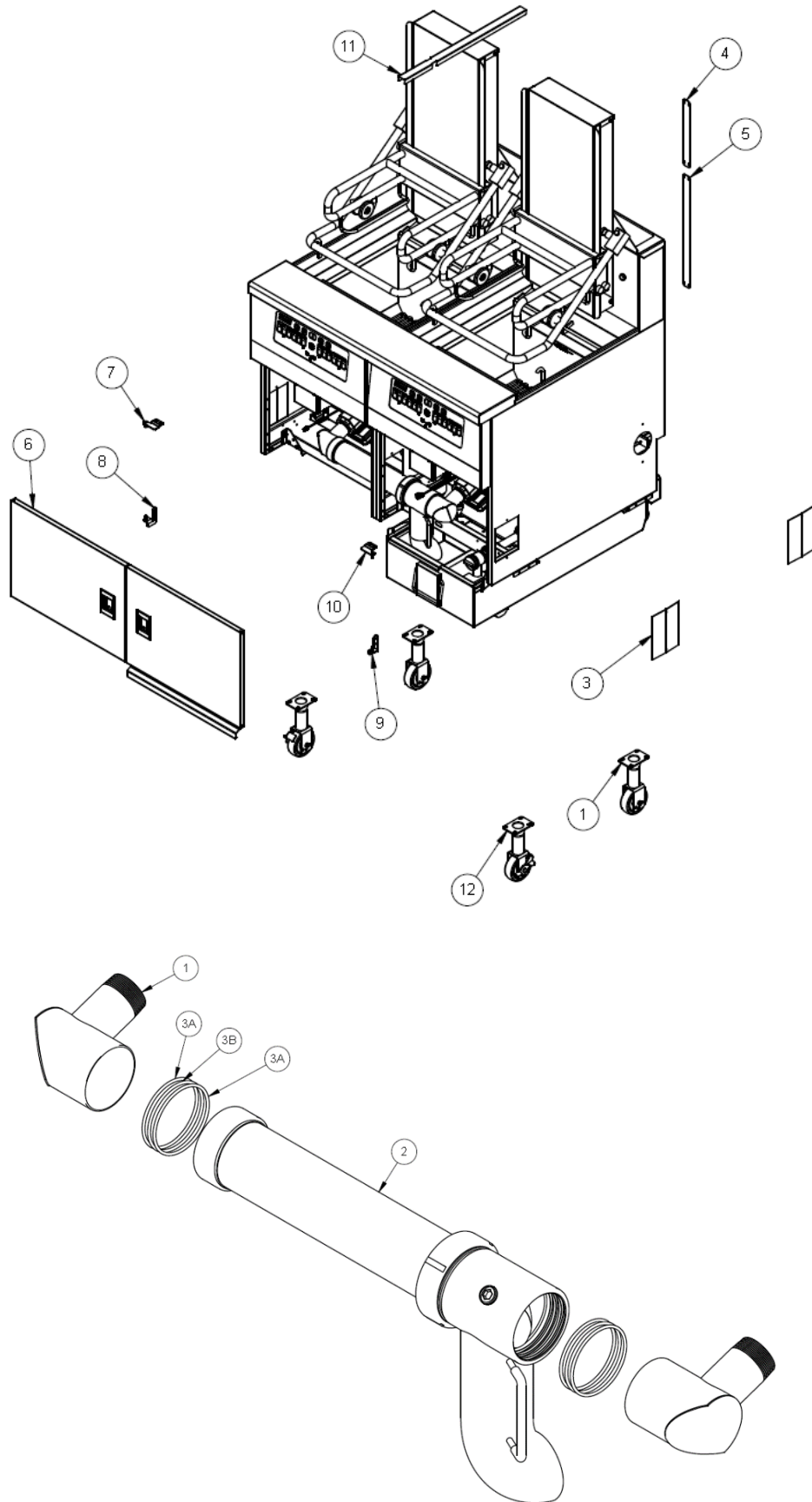
Fryer Detail



B. DRAIN LINES PARTS LIST

ITEM NO.	PART NO.	DESCRIPTION
1	B7003902	DRAIN ELBOW WELDMENT S*LVRF
2	B6670402	FILTER, DRAIN LINE DOWN SPOUT ASSEMBLY S*LVRF-S*LVRF
3A	60068303	FLUROPOLYMER O-RING, 3" 3.25 OD (WHITE)
3B	60068302	VITON O-RING (BLACK)

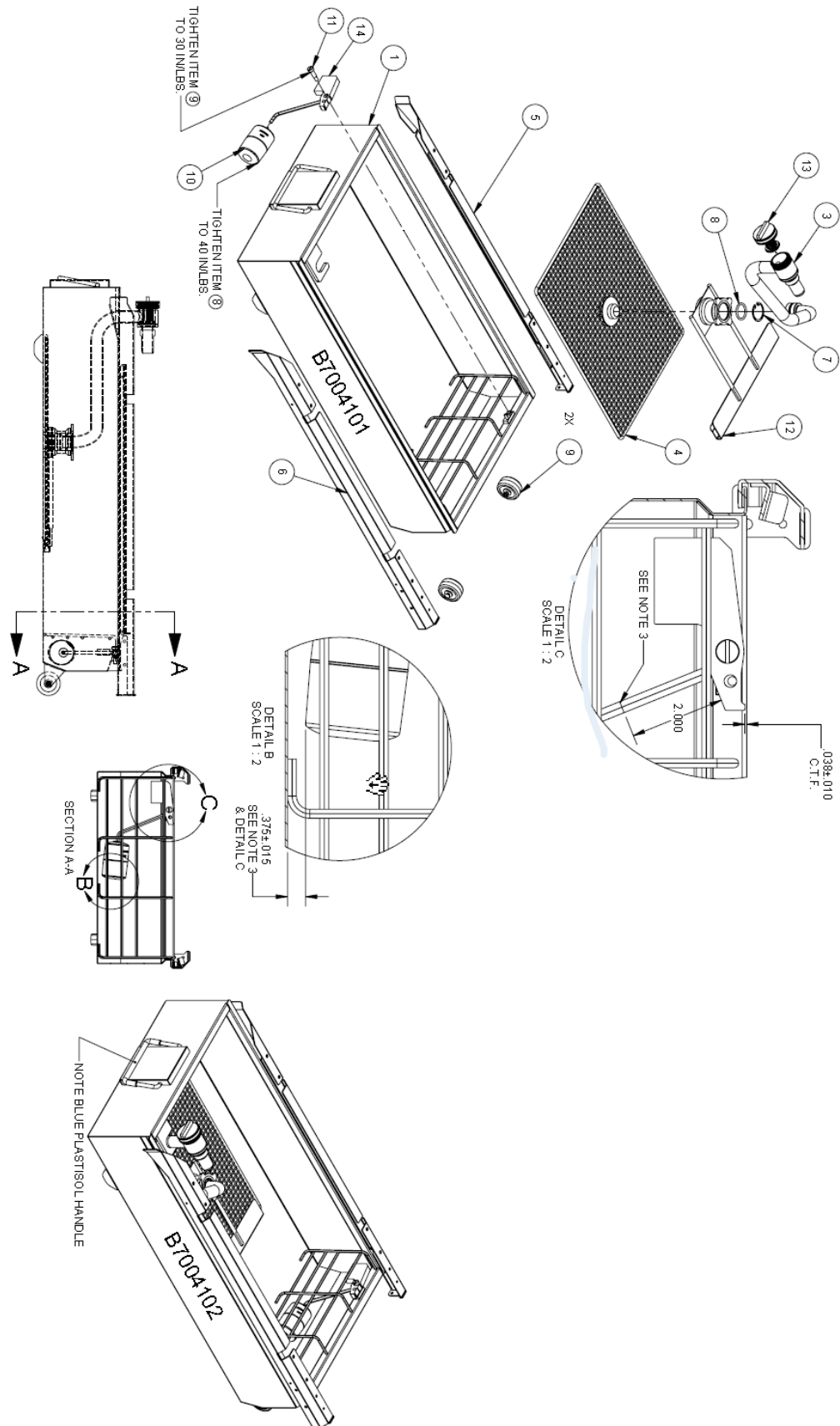
Drain Line Details



C. FILTER PAN PARTS LIST

ITEM NO.	PART NO.	DESCRIPTION	B700410 1 QTY	B700410 2 QTY
1	B7004001	FILTER PAN, WELDMENT S*LVRF	1	-
2	B7004002	FILTER PAN, WELDMENT WITH BLUE PLASTISOL HANDLE S*LVRF	-	1
3	B7001301	FILTER, TUBE PICKUP WELDMENT SFS*LV184	1	1
4	B6664302	FILTER, SUPPORT WELDMENT 18WKSUFM	1	1
5	B7004201	FILTER, PAN RAIL WELDMENT LH S*LVRF	1	1
6	B7004202	FILTER, PAN RAIL WELDMENT RH S*LVRF	1	1
7	60136301	RING, INTERNAL RETAINING	1	1
8	PP10879	O-RING, FKM 1.438 OD, 1.188 ID	1	1
9	60168301	WHEEL, 2" POLYOLEFIN WITH AXLE AND NUT BULK PACK	2	2
10	60205702	FILTER, FLOAT PAN .250-20	1	1
11	60199901	SCREW, SHOULDER SLOTTED HEAD .250-20 X .75 LG SS	1	1
12	B6671107	FILTER, CLIP PAPER WELDMENT S*LVRF	1	1
13	B6671201	FILTER, STRAINER CAP ASSEMBLY FBG	1	1
14	B7003701	FILTER, FLOAT WELDMENT S*LV* PE .250-20	1	1

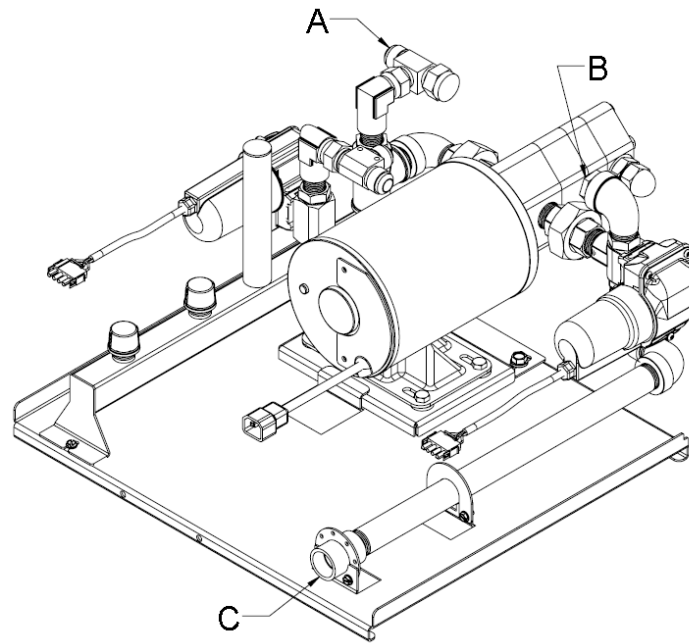
Filter Pan Detail



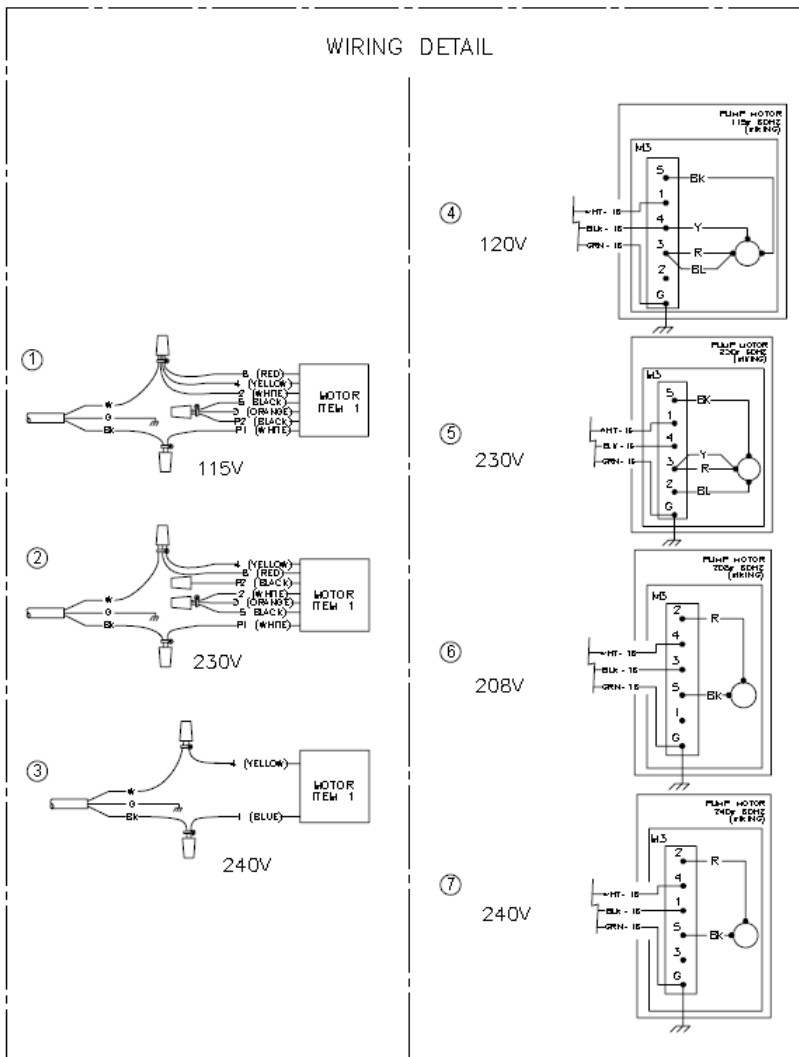
D. FILTER PUMP LIST

ITEM NO.	PART NO.	DESCRIPTION	QTY
1	60207601	PUMP, ASSEMBLY SPUR GEAR 10 GPM, 208-240V VKG	1
2	60186602	VALVE,BALL .50 NPT FULL POWERED ROTATED 90	1
3	60186603	VALVE,BALL .75 NPT FULL POWERED	1
4	P7037350	NIPPLE, BLACK .750 NPT CL	4
5	P7037355	NIPPLE, BLACK .750 NPT X 2	1
6	P7037092	NIPPLE, BLACK .500 NPT X 1.5	2
7	PP10023	SCREW, 10-24 X .375 SELF TAPPING	5
8	P7036904	UNION, BLACK IRON .750 NPT	2
9	A7092201	FILTER, PIPING CLAMP SG6H, SG*-*WKS	1
10	60186901	PIPING, ELBOW FEMALE FLARE X FEMALE .500 NPT	2
11	P7037751	ELBOW, BLACK STREET 90 .750 NPT	3
12	P9037679	ELBOW, BLACK 90 .750 NPT	1
13	PP10738	NUT, RETAINER 5_16-18	2
14	B8063901	PIPING, MANIFOLD OIL S*LVRF	1
15	P7036860	TEE, BLACK IRON .750 NPT	1
16	P7036013	BUSHING, REDUCER HEX .750 NPT X .500 NPT BLACK IRON	2
17	A8033001	PIPING, TEE STEEL FLARE X FLARE X FLARE SGBNB	2
18	PP11159	CAP, BLACK IRON .500 NPT	2
19	PP11261	BOLT, BURNER BOX .312-18 X .75 LG	2
20	B6677001	FILTER, SUPPORT INLET FITTING SG6H	1
21	60131309	NIPPLE, BLACK .750 NPT X 16.5	1
22	A7055501	FILTER, PUMP PLATE SGLV6H VIKING 10 GPM	1
23	A7055601	FILTER, PUMP PLATE MOUNT	1
24	60208101	FASTENER, RIVET NUT BRASS 5_16-18	4
25	P0115000	SCREW, .312-18 X .750 HEX HEAD SSBB	4
26	60130001	FITTING, END CAP 45 DEG FLARE X .938 THREAD	1
27	PP11338	CORD, 16-3 AWG, IEC320M PLUG 17.5"	1

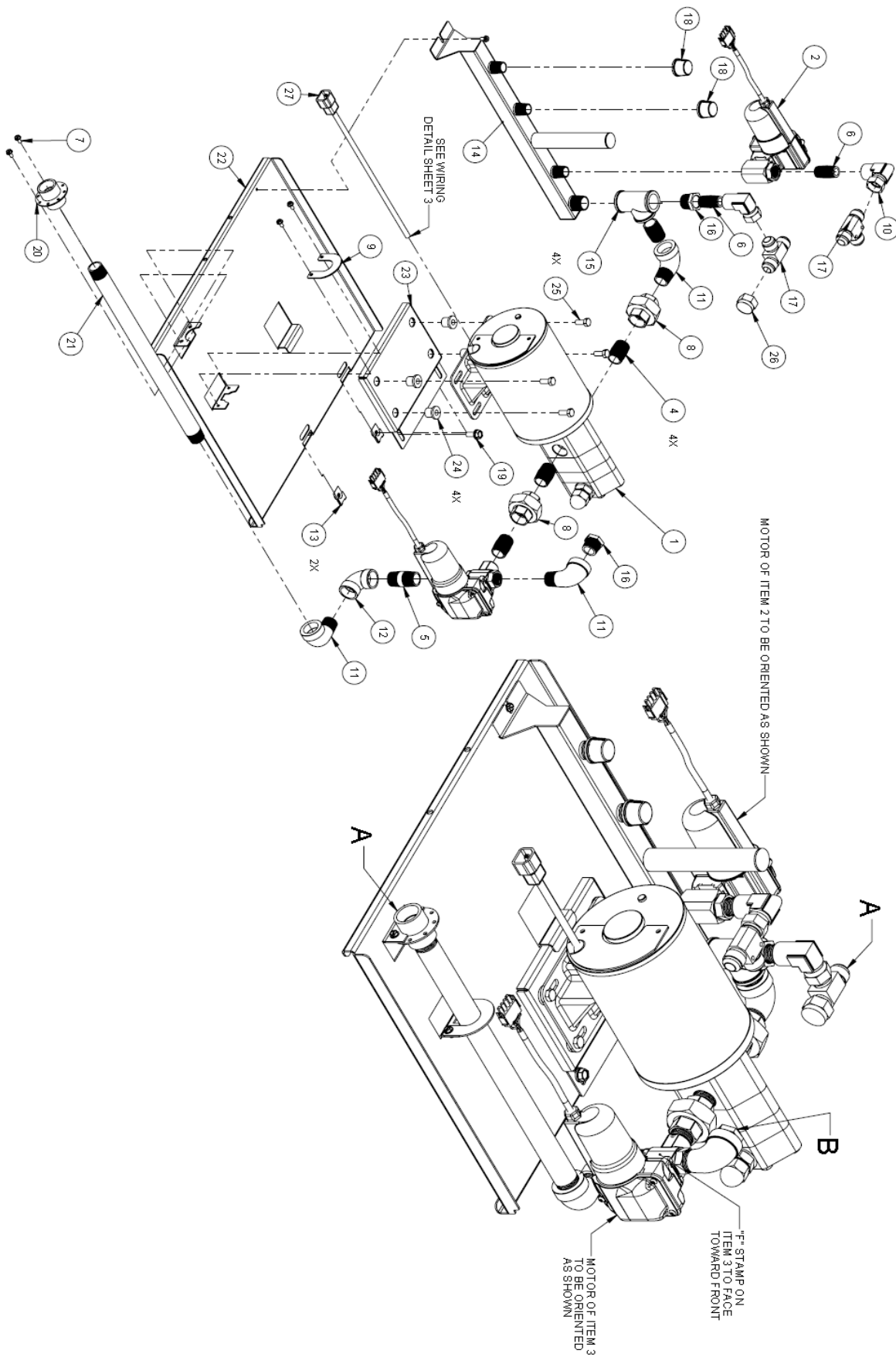
Filter Pump Detail



WIRING DETAIL



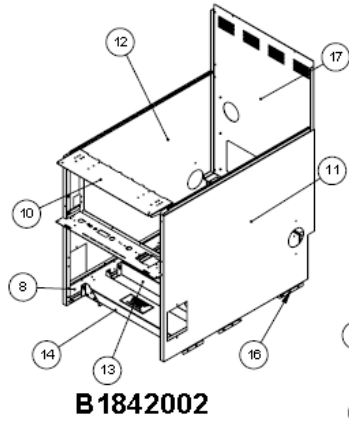
Filter Pan and Pump Detail



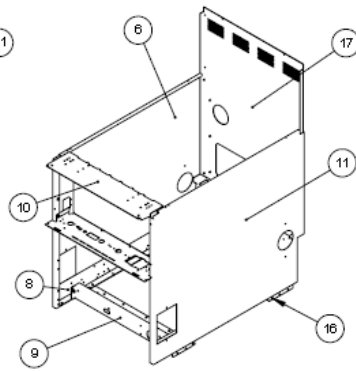
E. CABINET ASSEMBLY PARTS LIST

ITEM NO.	PART NO.	DESCRIPTION	B1842001 QTY	B1842002 QTY	B1842003 QTY	B1842004 QTY
1	60118201	SCREW, .250-20 X .375 HEX FLANGED HEAD SST	-	1	-	-
2	A1238301	CABINET BOTTOM BRACE, JIB SUPPORT	-	1	-	-
3	60132001	TANK, STUD SPLASH BACK SCREW ON	-	1	-	-
4	A6106801	LABEL, CABINET REMOVABLE SHIPPING BRACE	-	1	-	-
5	PP10023	SCREW, 10-24 X .375 SELF TAPPING	3	4	3	35
6	A1542501	CABINET SIDE, LH S*LVRF ALUM	-	-	1	1
7	A1542504	CABINET SIDE, RH S*LVRF SST	1	-	-	1
8	A1542901	CABINET SIDE, SUPPORT S*LVRF	2	2	2	2
9	A1239201	CABINET, BOTTOM BRACE FRONT S*LVRF	1	-	1	1
10	A1872101	CABINET, SPACER S*LVRF	1	1	1	1
11	A1542503	CABINET SIDE, RH S*LVRF ALUM	-	1	1	-
12	A1542502	CABINET SIDE, LH S*LVRF SST	1	1	-	-
13	A1239203	CABINET, BOTTOM BRACE JIB S*LVRF	-	1	-	-
14	A1239301	CABINET BOTTOM BRACE, SUPPORT SHIPPING S*LVRF	-	1	-	-
15	A1239401	CABINET BOTTOM BRACE, JIB JOINING BRACKET S*LVRF	-	1	-	-
16	A1644301	CABINET BACK, BOTTOM S*LVRF	1	1	1	1
17	A1644401	CABINET BACK, UPPER SELVRF	1	1	1	1
18	A1631405	CABINET BACK, COVER KR-S*LVRF	1	1	1	1

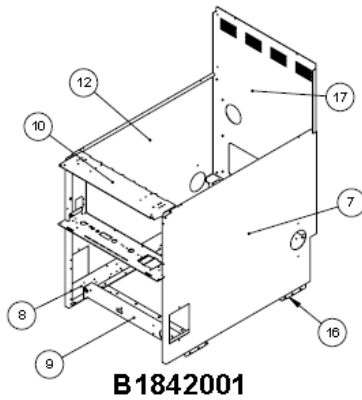
Cabinet Assembly Detail



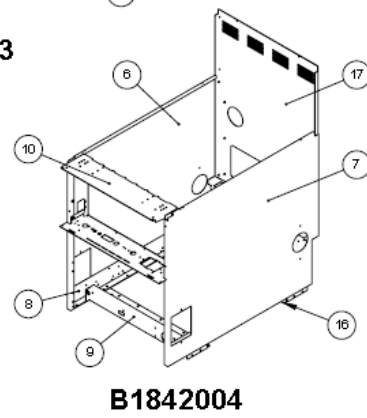
B1842002



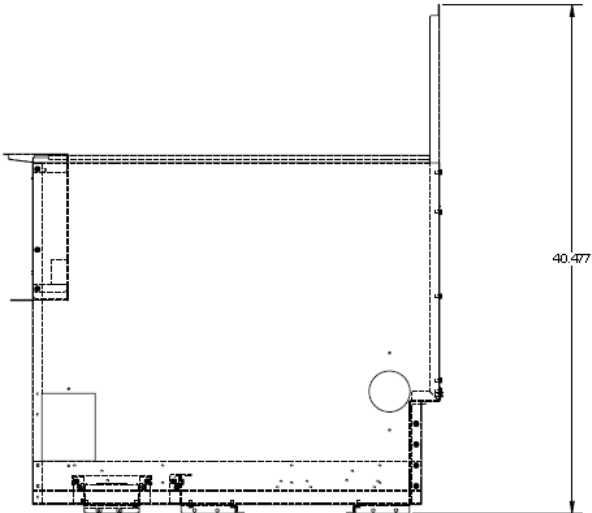
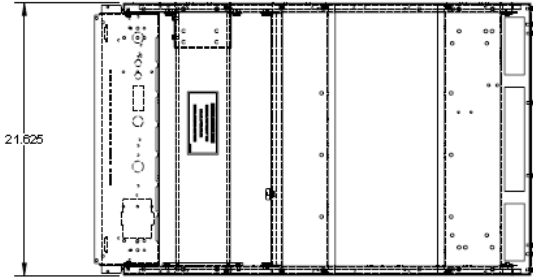
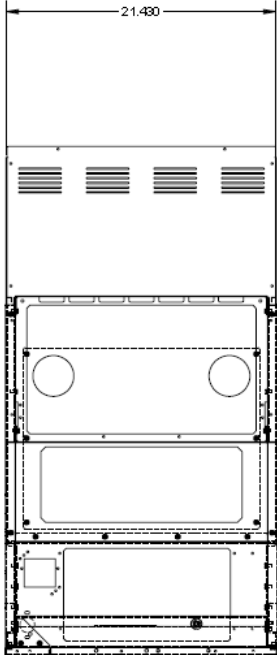
B1842003

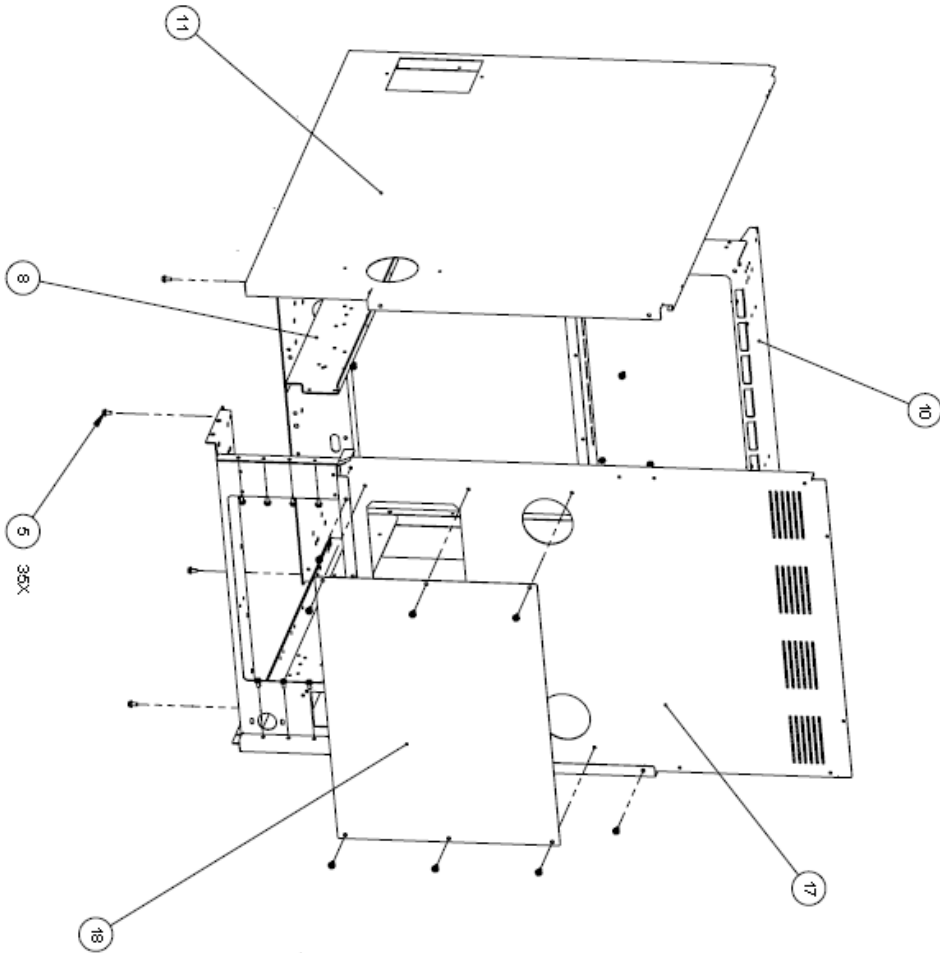
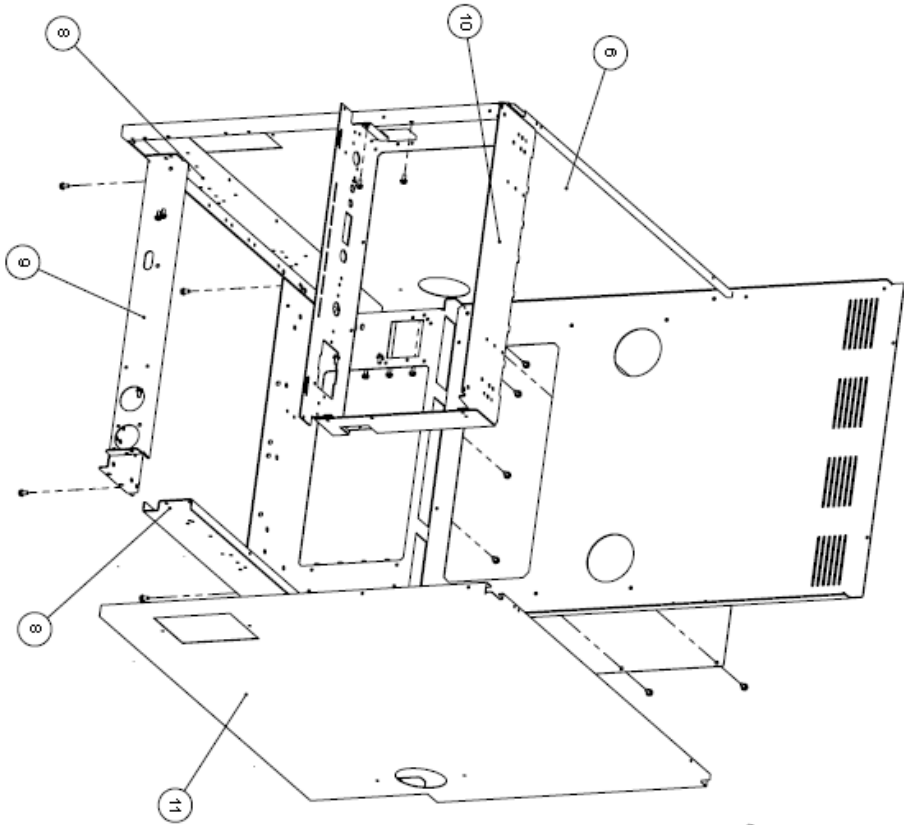


B1842001



B1842004

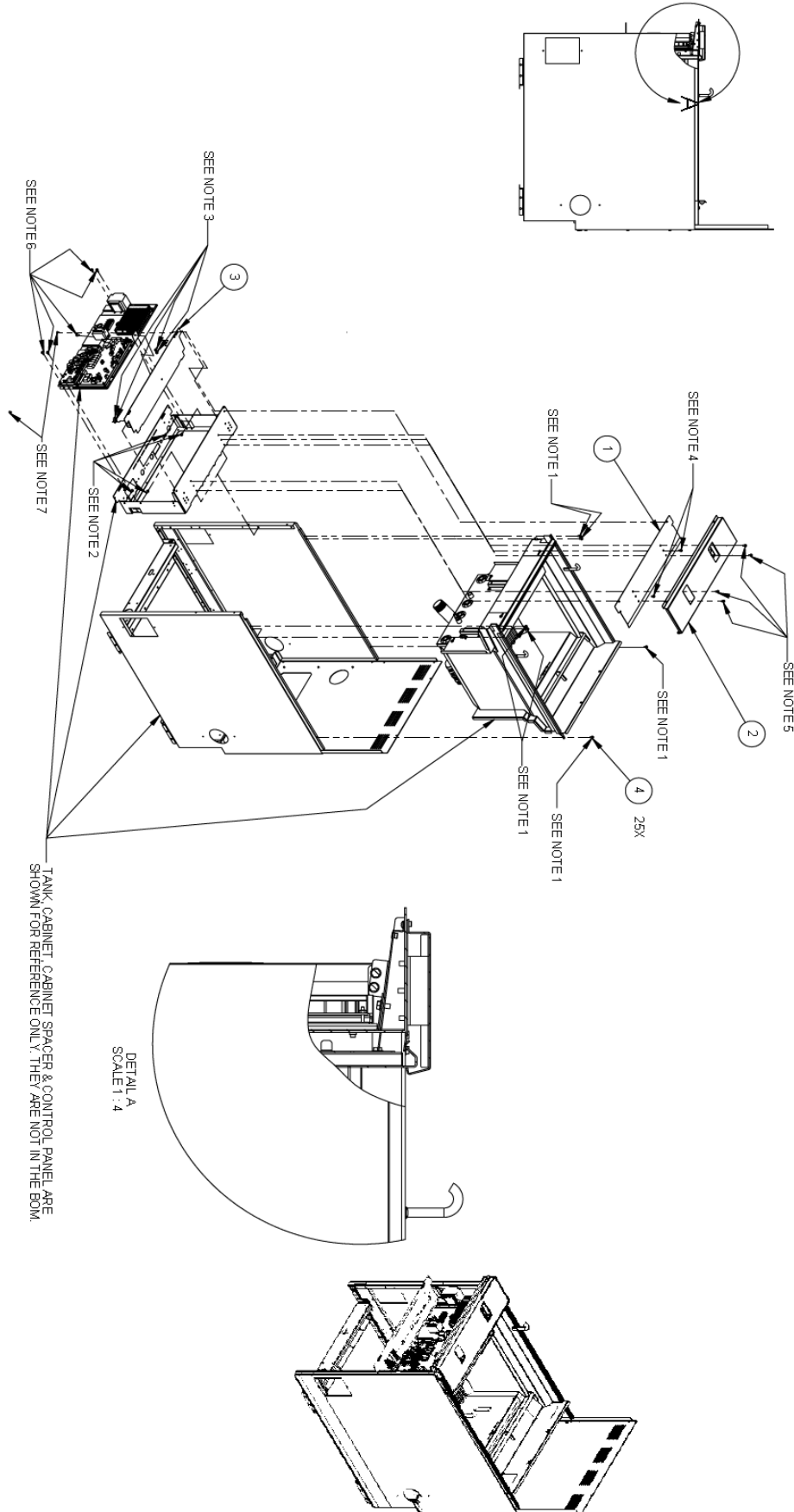




F. CABINET ASSEMBLY INSTRUCTIONS LIST

ITEM NO.	PART NO.	DESCRIPTION B1842201	QTY
1	B3685701	FRONT PANEL, ASSY HEAT SHIELD S*LVRF	1
2	A3690401	FRONT PANEL, TOP DECK SUPPORT S*LVRF	1
3	B3685801	FRONT PANEL, ASSY BEZEL MTG BRKT SELVRF	1
4	PP10023	SCREW, 10-24 X .375 SELF TAPPING	25
5	PP10687	SCREW, TRUSS HEAD PHILLIPS 6-32 X .312	2

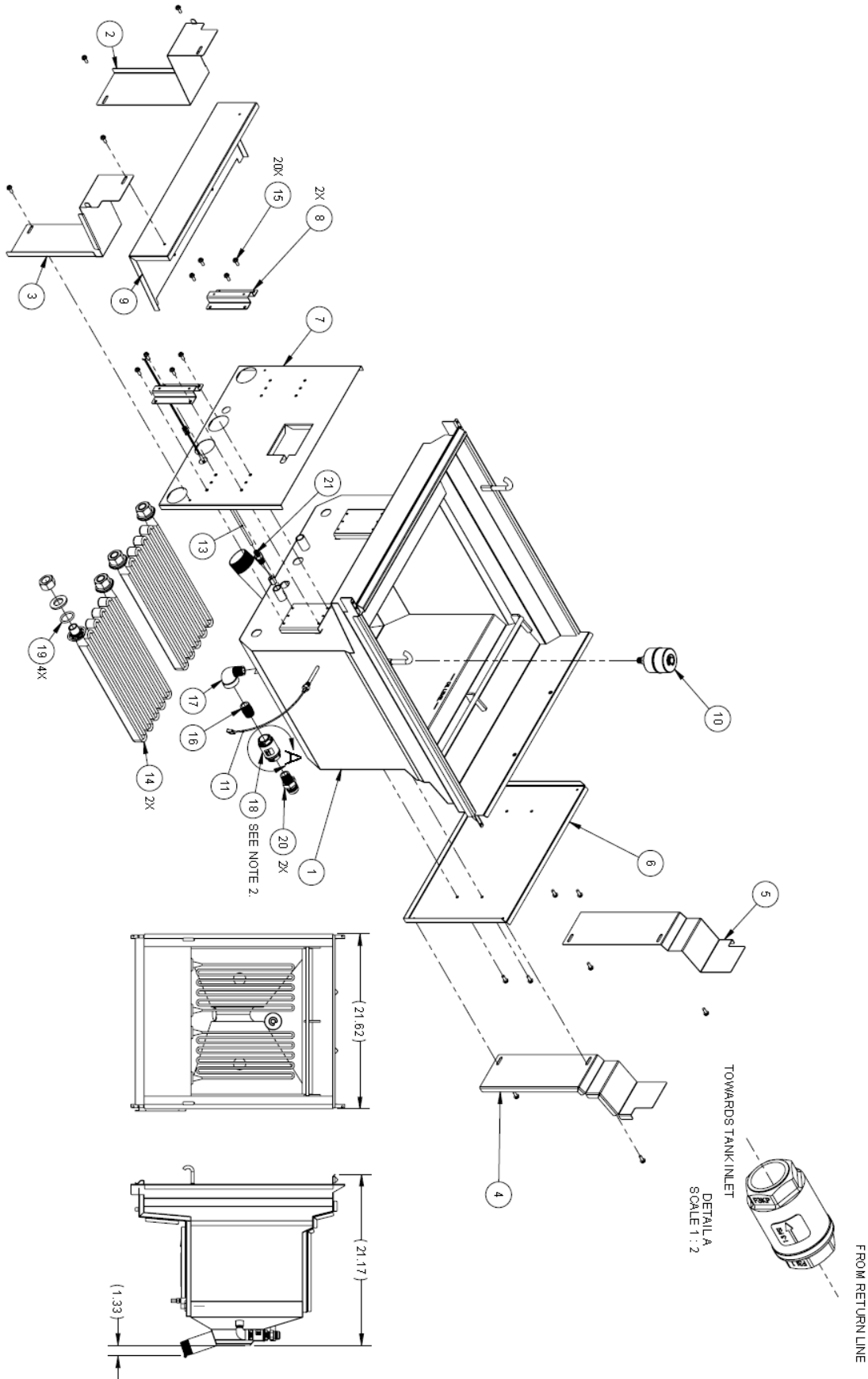
Cabinet Assembly Instruction Detail



G. TANK PARTS LIST

ITEM NO.	PART NO.	DESCRIPTION	QTY
1	B3341601	TANK WELDMENT, SELVRF	1
2	A3387101	TANK, HEAT SHIELD SIDE FRONT SELVRF LH	1
3	A3387103	TANK, HEAT SHIELD SIDE FRONT SELVRF RH	1
4	A3387401	TANK, HEAT SHIELD SIDE REAR SELVRF LH	1
5	A3387403	TANK, HEAT SHIELD SIDE REAR SELVRF RH	1
6	A3387502	TANK, HEAT SHIELD REAR SELVRF	1
7	A3387202	TANK FRONT, JACKET LOWER SELVRF	1
8	A3387301	TANK, BRACKET ENTRANCE BOX MOUNT	2
9	A3387602	TANK, JACKET FRONT SELVRF	1
10	B5302201	SWITCH, ASSEMBLY FLOAT LIQUID 2.125 DIA	1
11	60182701	PROBE, OIL LEVEL AUTO FILTER S*LV*	1
13	60204401	PROBE, THERMISTOR SELV6H	1
14	50008901	ELEMENT, FLAT BAR 8.5kW 208V	2
15	P0075400	SCREW, 10-24 X .500 SELF TAPPING	20
16	P7037090	NIPPLE, BLACK .500 NPT CL	2
17	P7037750	ELBOW, BLACK STREET 90 .500 NPT	2
18	60208001	VALVE, CHECK 1-3 PSI	2
19	60068320	O-RING, FKM 0.984OD X 1.262	4
20	60129902	FITTING, ADAPTER MALE FLARE 45 X .500 MNPT	2
21	PP10916	CONNECTOR, COMP TEMP PROBE CRS	1

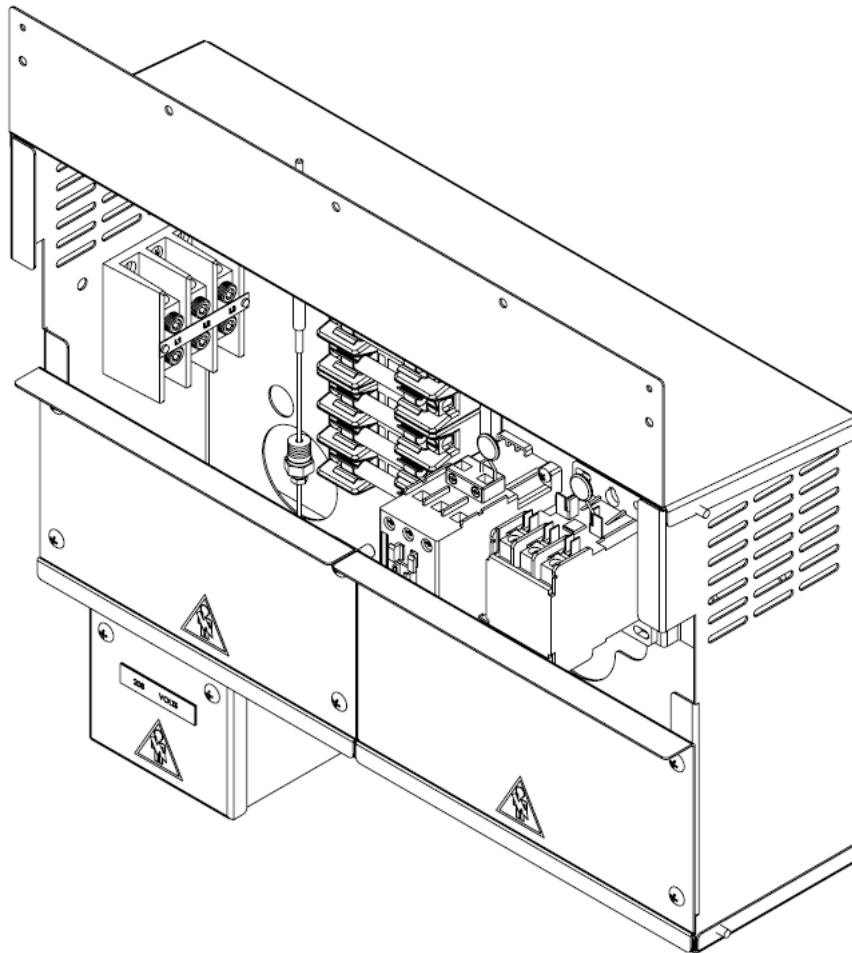
Tank Detail



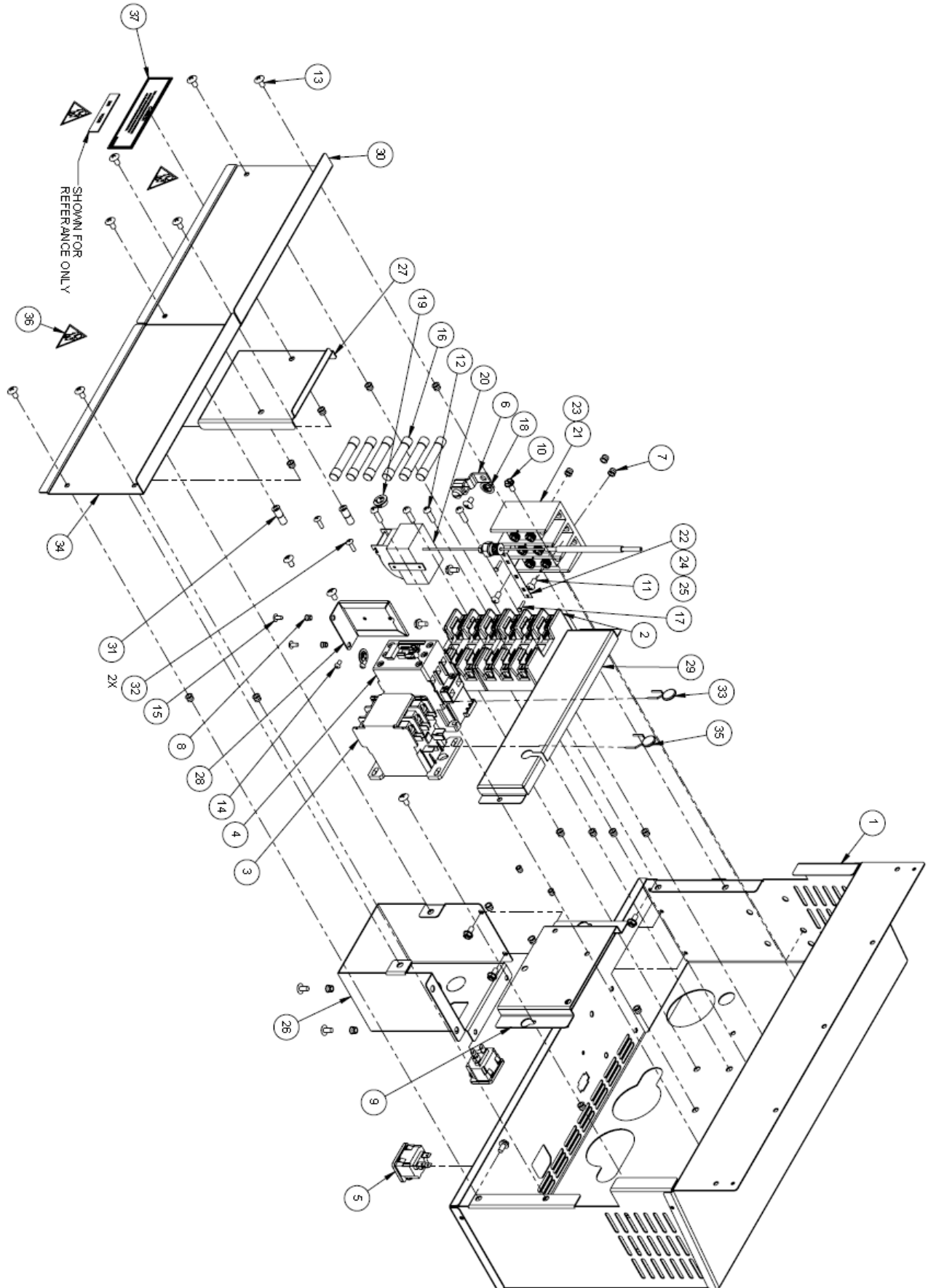
H. ENTRANCE BOX PARTS LIST

ITEM NO.	PART NO.	DESCRIPTION	B29219 01 QTY	B29219 02 QTY
1	B2922001	ENTRANCE BOX, BODY WELDMENT	1	1
2	P5045792	FUSEBLOCK, 3 POST 300V 60A	2	-
3	60157202	CONTACTOR,DP 3P 50A 600V RES, 24 COIL CE-SEMKO 811687	1	1
4	60139201	CONTACTOR, 3 POLE, 50A, 690V, RES IEC	1	1
5	PP11337	RECEPTACLE, 10A-250V IEC320 SNAP IN	2	2
6	60145301	LUG, GROUND ALUMINUM	1	1
7	P0092500	NUTSERT, 10-24 UNC	19	20
8	P0091400	NUTSERT, 6-32 UNC	4	4
9	A2984501	ENTRANCE BOX, CONTACTOR PLATE S*LVRF	1	1
10	PP10023	SCREW, 10-24 X .375 SELF TAPPING	10	10
11	60072101	SCREW, 10-24 X .375 ROUND HEAD PHILLIPS SST	3	4
12	PP10698	SCREW, 10-24 X .625 ROUND HEAD PHILLIPS SST	4	-
13	PP10693	SCREW, 10-24 X .375 THRUSS HEAD PHILLIPS ZN	15	15
14	PP10686	SCREW, 6-32 X .250 ROUND HEAD PHILLIPS ZN	2	2
15	PP10687	SCREW, 6-32 X 313 THRUSS HEAD PHILLIPS ZN	2	2
16	P5045701	FUSE, 40A SLOW BLOW	6	-
17	PP10605	FASTENER, LABEL TERMINAL BLOCK	2	4
18	PP10020	LABEL, GROUND SYMBOL	2	2
19	60130401	BUSHING, .512 HOLE DIA	1	1
20	PP10084	SWITCH, HI-LIMIT LCM05030	1	1
21	P5047301	BLOCK, TERMINAL 3 POST ENTRANCE	1	-
22	P6094942	LABEL,MARKING STRIP L1 TO L3	1	-
23	P5047302	BLOCK, TERMINAL 2 POST ENTRANCE	-	2
24	P6094940	LABEL, MARKING L1 AND L2	-	1
25	A6043901	LABEL, MARKING L3 AND N	-	1
26	A2983801	ENTRANCE BOX, PLUG HOUSING	1	1
27	A2983701	ENTRANCE BOX, COVER CORD	1	1
28	A2983901	ENTRANCE BOX, HI-LIMIT BRACKET	1	1
29	A2984001	ENTRANCE BOX,COVER TOP OFF	1	1
30	A2984401	ENTRANCE BOX, COVER LOWER LH SELVRF	1	1
31	60092105	NUTSERT, 10-24 UNC CLOSED END	2	2
32	PP10690	SCREW, 6-32 X .500 THRUSS HEAD PHILLIPS ZN	2	2
33	60172201	SNUBBER, 24VAC COILS, .25TABS	1	1
34	A2983601	ENTRANCE BOX, COVER LOWER RH SELVRF	1	1
35	PP11353	SNUBBER, MOV 56V 2000A	1	1
36	A6101201	LABEL, WARNING DO NOT REMOVE OR OPEN COVER	3	3
37	P6095653	LABEL, MULTIPLE POWER SUPPLIES	1	1
38	B6809601	WIRING, HIGH VOLTAGE DELTA SELVRF	1	-
39	B6811201	WIRING, HEAT CONTROL SELVRF	1	1

Entrance Box Details



Entrance Box Details



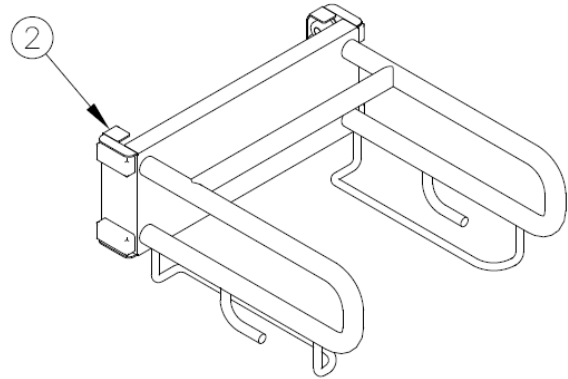
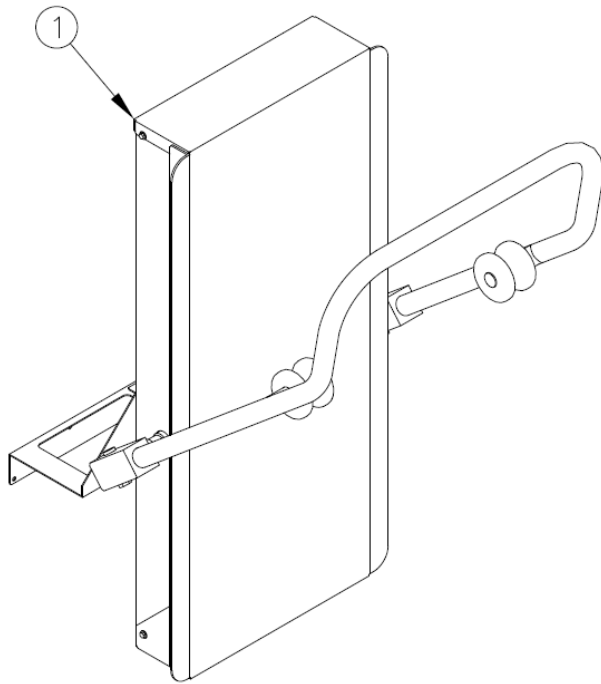
I. BASKET LIFT, LIFTER.CARRIAGE ASSEMBLY PARTS LIST

ITEM	DESCRIPTION	PITCO P/N	B5607001 QTY	B5607002 QTY
1	BASKET LIFT, ASSEMBLY KR-S*LVRF	B5605402	-	1
	BASKET LIFT, ASSEMBLY SG6H	B5605401	1	-
2	BASKET LIFT, CARRIAGE ASSEMBLY	B5605501	1	1

NOTES:

1. ITEM 2 MUST SLIDE FREELY ON RAILS AND SIT EVENLY IN ROLLERS OF ITEM 1.
2. ALL ROLLERS ON ITEM 2 MUST BE FREE TO ROLL ON SLIDE RAILS.
3. ITEM 1&2 MUST BE INTERCHANGABLE WITH OTHER ASSEMBLIES. I.E. ANY B5605501 MUST WORK PROPERLY ON EVERY B5605401 AND VISE VERSA.
4. TO BE SHIPPED IN A FASHION THAT PREVENTS DAMAGE TO EITHER ITEM.

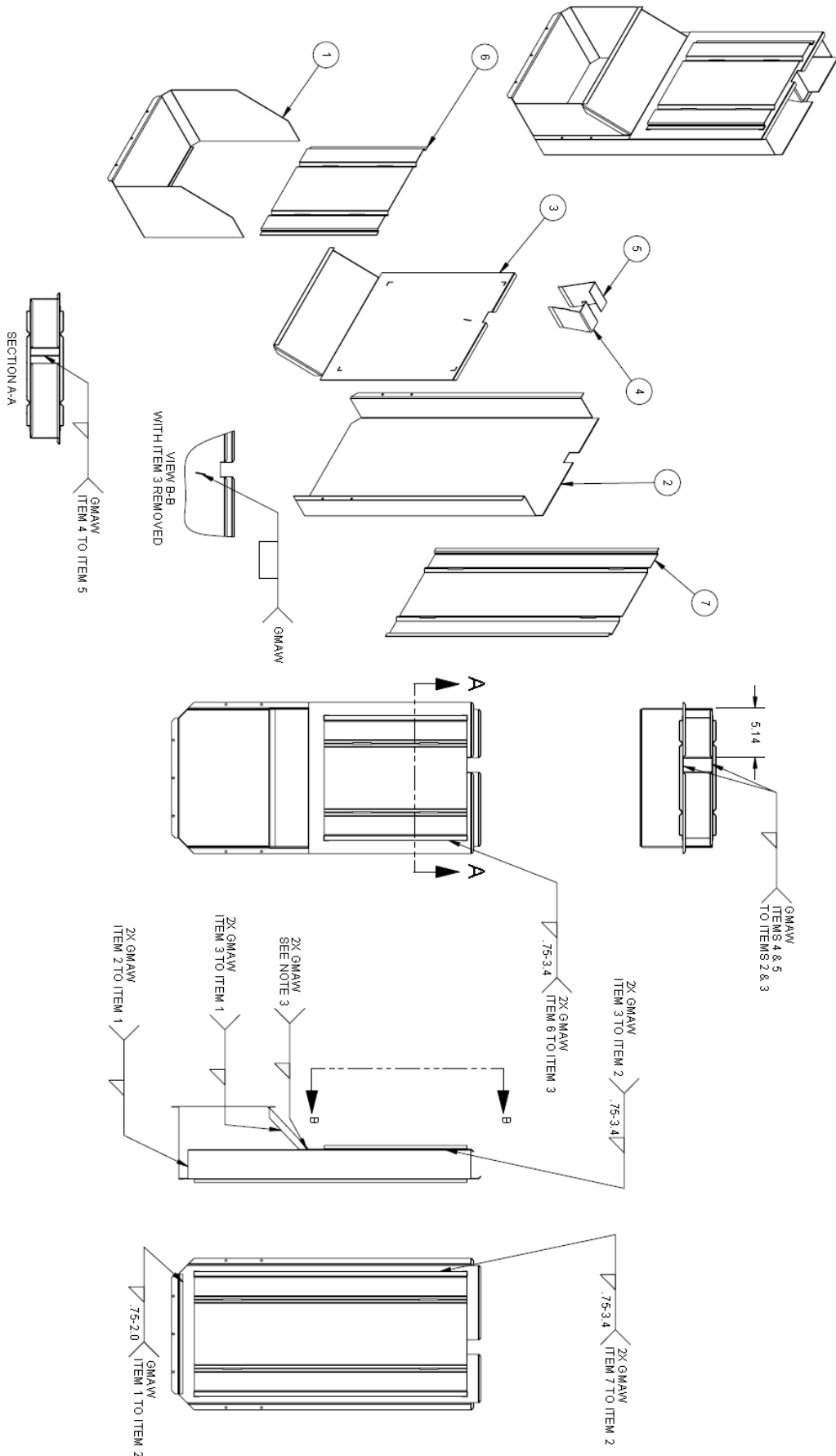
Basket Lift, Lifter/Carriage Assembly Details



J. FLUE, WELDMENT PARTS LIST

ITEM NO.	PART NO.	DESCRIPTION	B3508401 QTY
1	A3540001	FLUE, BOTTOM SGLVRF	1
2	A3540401	FLUE, BACK SGLVRF	1
3	A3543801	FLUE, FRONT SGLVRF	1
4	A3545201	FLUE, DIVERTER OUTER SGLVRF	1
5	A3545601	FLUE, DIVERTER INNER SGLVRF	1
6	A3539501	FLUE, HEAT SHIELD FRONT SGLVRF	1
7	A3539503	FLUE, HEAT SHIELD REAR SGLVRF	1

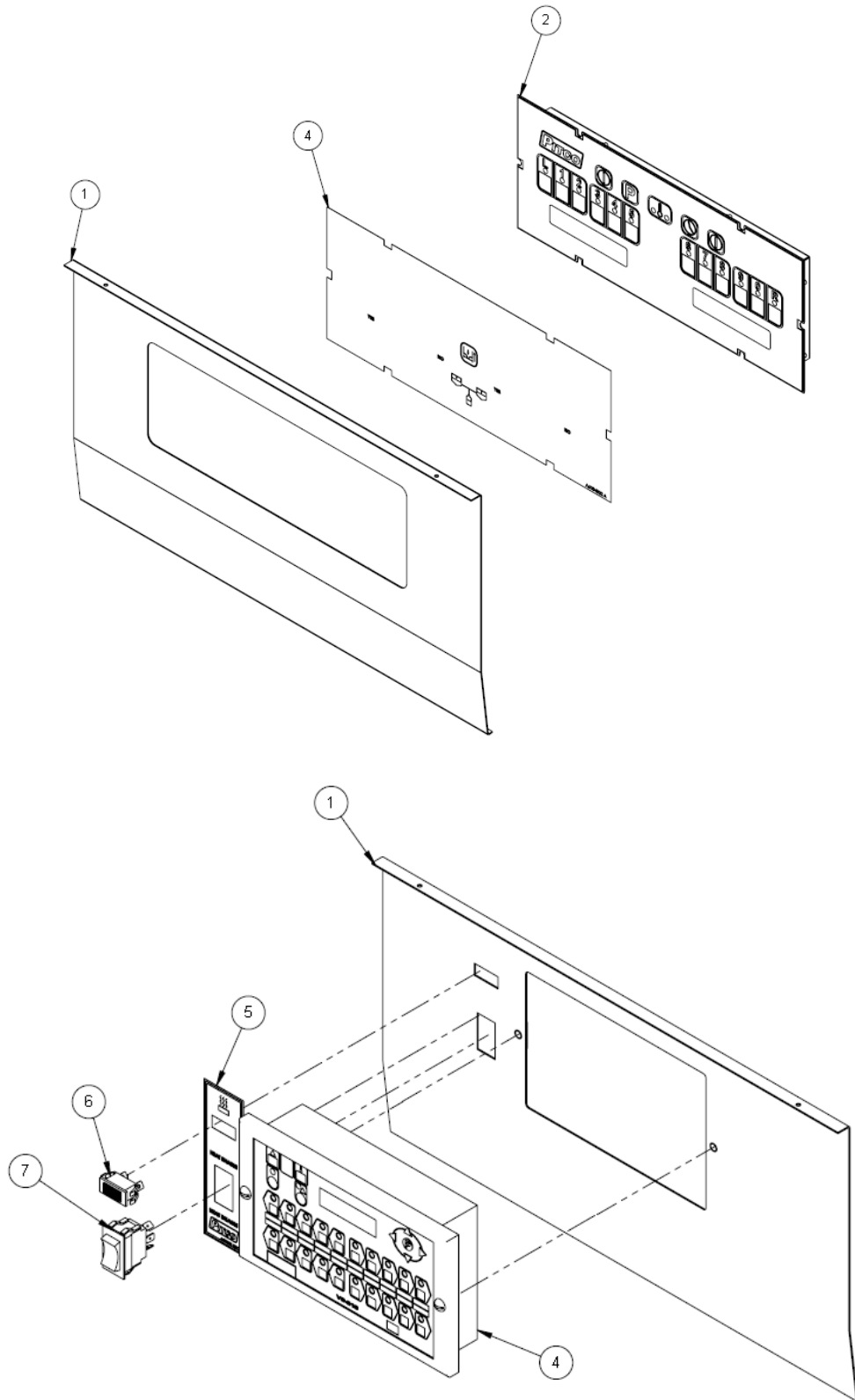
Flue, Weldment Details



K. FRONT PANEL ASSEMBLY PART LIST

ITEM NO.	PART NO.	DESCRIPTION	B3685501 QTY	B3685502 QTY
1	B3685402	FRONT PANEL, BEZEL ASSY K12 S*LVRF	1	-
	B3685401	FRONT PANEL, BEZEL ASSY VC210 S*LVRF	-	1
2	60198703	COMPUTER, MODBUS K12	1	-
3	60151017	CMPTR, VC210 SELV14 17KW	-	1
4	A6104302	LABEL, OVERLAY AUTOFILTER AND TOP OFF I12	1	-
5	A6107801	LABEL, START, ON-OFF	-	1
6	P5045044	LAMP, 28V AMBER RECTANGULAR	-	1
7	60067401	SWITCH, ROCKER SPST WHT-BLK ON-(ON)	-	1
8	B6801001	WIRING, FAST COMPUTER TO AFB2, FRY -BY-WIRE	-	1
9	B6806401	WIRING, COMPUTER TO AFCB2 FBW FULL	-	1
10	B6806801	WIRING, FRONT PANEL VC210 TO FCB FULL	-	1

Front Panel, Bezel Assembly Details

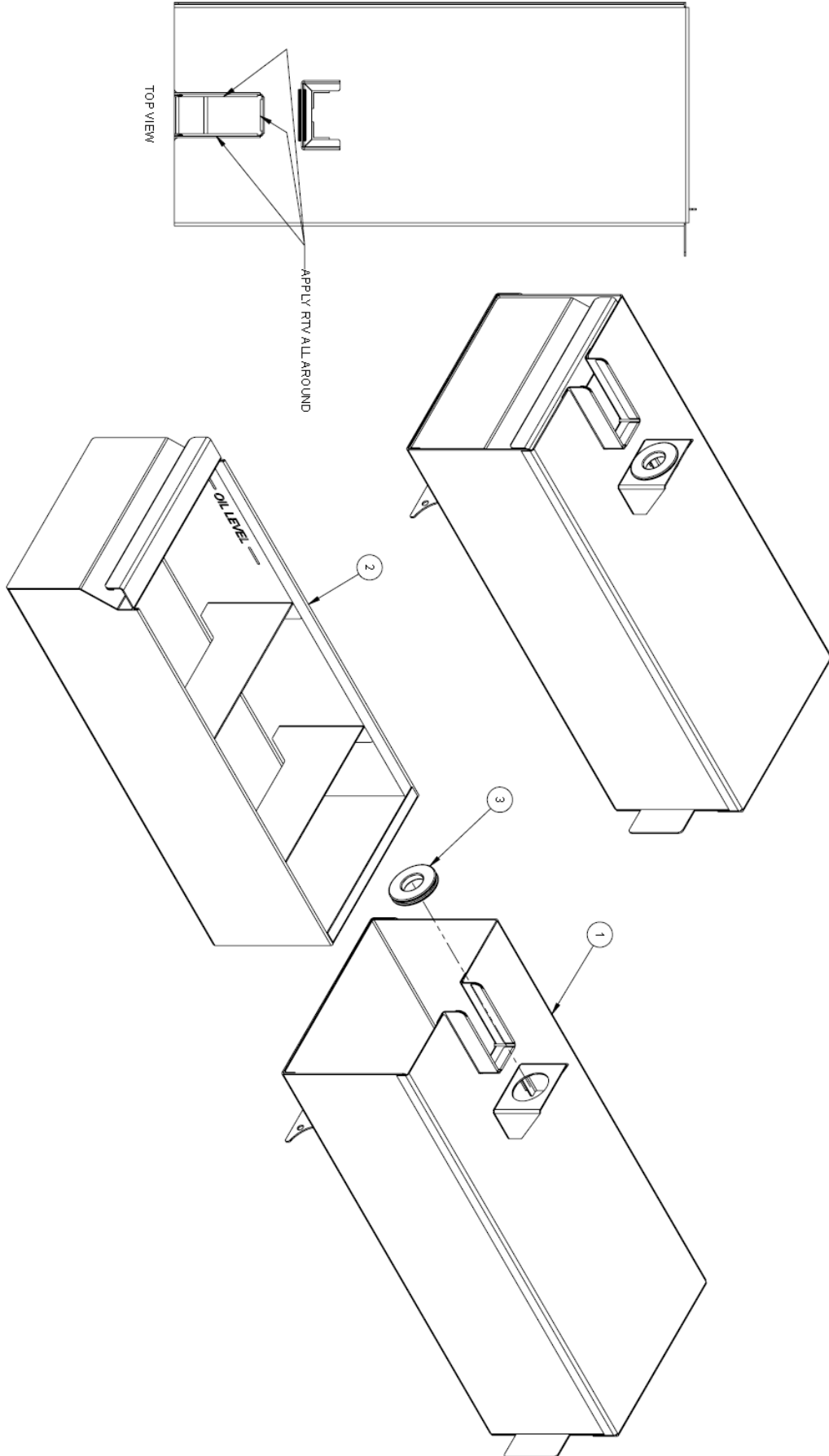




L. ONBOARD OIL RESERVOIR PARTS LIST

ITEM NO.	PART NO.	DESCRIPTION	B5055401 QTY
1	B5055501	ACCS, WELDMENT ENCLOSURE ON-BOARD OIL RESERVOIR S*LVRF	1
2	B5055301	ACCS, WELDMENT DRAWER ON-BOARD OIL RESERVOIR	1
3	P6071227	GROMMET, .750 ID, 1.625 OD, 1.250 GR SPLIT	1

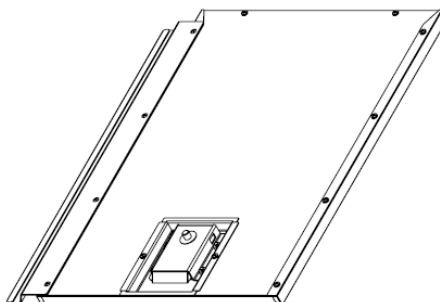
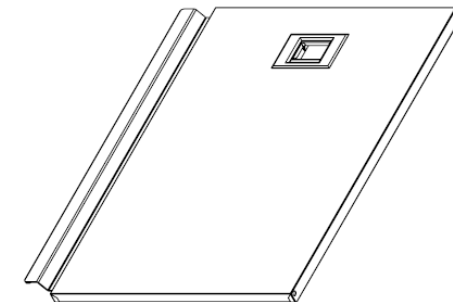
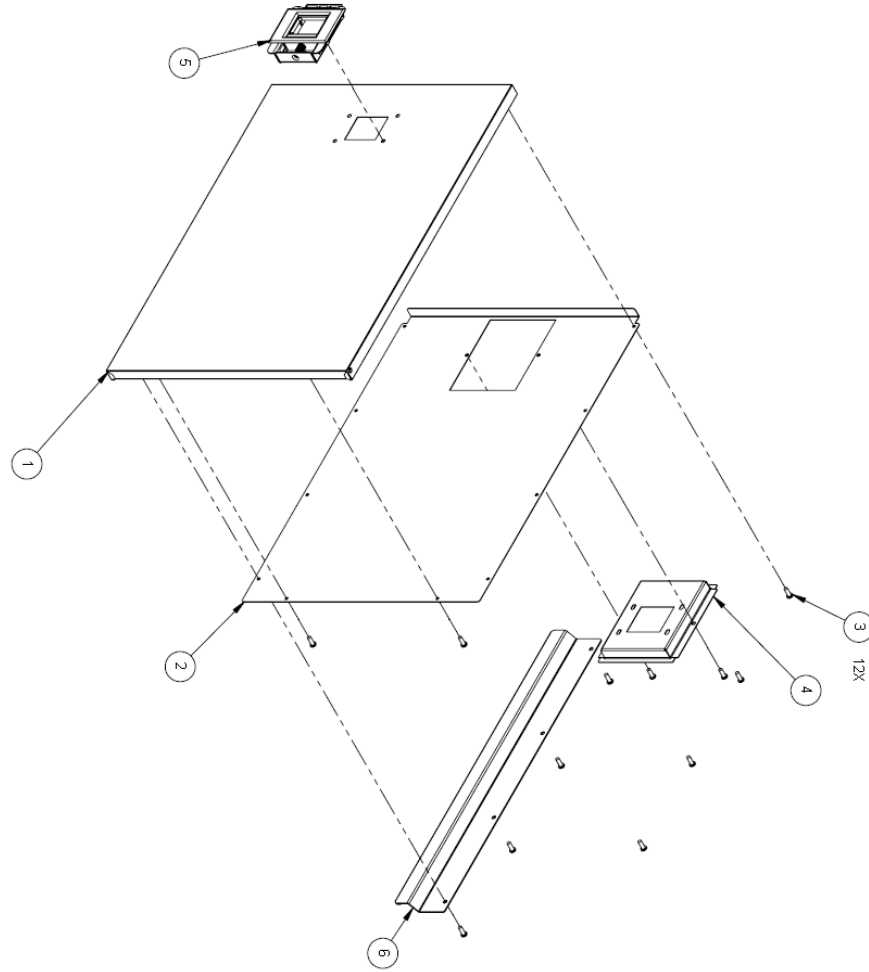
Onboard Oil Reservoir Details



M. DOOR ASSEMBLY PARTS LIST

ITEM NO.	PART NO.	DESCRIPTION	B2307001 QTY
1	A2338904	DOOR, OUTER S*LVRF SLAM ACTION	1
2	A2339003	DOOR, INNER S*LVRF SLAM ACTION	1
3	PP10752	SCREW, 10-32 X .500 PAN HEAD PHILLIPS ZN	12
4	A2313101	DOOR, COVER INSIDE SLAM ACTION	1
5	60136401	LATCH, SLAM ACTION	1
6	A2339102	DOOR, SKIRT S*LVRF	1

Door Assembly Details





In the event of problems with or questions about your order, please contact the Pitco Frialator factory at:

+1 (603) 225-6684 World Wide
www.pitco.com

In the event of problems with or questions about your equipment, please contact the Pitco Authorized Service and Parts representative (ASAP) covering your area, or contact Pitco at the numbers listed to the left.

MAILING ADDRESS – P.O. BOX 501, CONCORD, NH 03302-0501