



## MODEL 65C+ GAS FRYER



Project \_\_\_\_\_

Item No. \_\_\_\_\_

Quantity \_\_\_\_\_

### APPLICATION

For High Volume Gas single standalone frying specify Pitco Gas Model 65C+ tube fryer.

MODEL 65C+ GAS FRYER

### MODELS AVAILABLE

- 65C+ (65-80 lbs, 18 x 18" fry area, 150Kbtu/hr) (CE models 40kW) Natural
- 65C+ (65-80 lbs, 18 x 18" fry area, 150Kbtu/hr) (CE models 40kW) Propane

### CONSTRUCTION

- Welded tank with a super smooth machine peened finish ensures easy cleaning.
- Long lasting, high temperature alloy stainless steel heat baffles are mounted in the heat exchanger tubes to provide maximum heating and combustion efficiency.
- Standing pilot light design provides a ready flame when heat is required.

### STANDARD FRYER FEATURES & ACCESSORIES

- Tank - Stainless steel
- Cabinet - stainless front, door
- Galvanized sides and back
- Millivolt Thermostat (T-Stat)
- Thermo-Safety pilot with built in regulator.
- High Temperature safety limit switch
- 3/4 NPT rear gas connection
- 1 1/4" (3.2 cm) Full port drain valve for fast draining
- Separate Manual gas shutoffs, for front servicing
- Integrated flue deflector
- 6" (15.2cm) adjustable legs, easier access to clean
- Tube rack, allows crumbs & debris into cool zone
- Removable basket hanger, requires no tools
- Drain Line Clean out rod
- Drain extension
- Fryer cleaner sample packet
- Choice of basket options :
  - 2-Twin Baskets
  - 1-Full Basket

### CONTROLS

- Integrated gas control valve acts as a manual and pilot valve, automatic pilot valve, gas filter, pressure regulator and automatic main valve.
- Gas control valve prevents gas flow to the main burner until pilot is established and shuts off all gas flow automatically if the pilot flame goes out.
- Temperature limit automatically shuts off all gas flow if the fryer temperature exceeds 450°F (232°C) ±15°F (±10°C) / 410°F (210°C) for International units.

### OPTIONS & ACCESSORIES (AT ADDITIONAL COST)

- Stainless Steel back
- 6" (15.2cm) adjustable rear and front locking casters
- Flexible gas hose with disconnect and restraining cable
- Tank cover
- 3-Triple Baskets



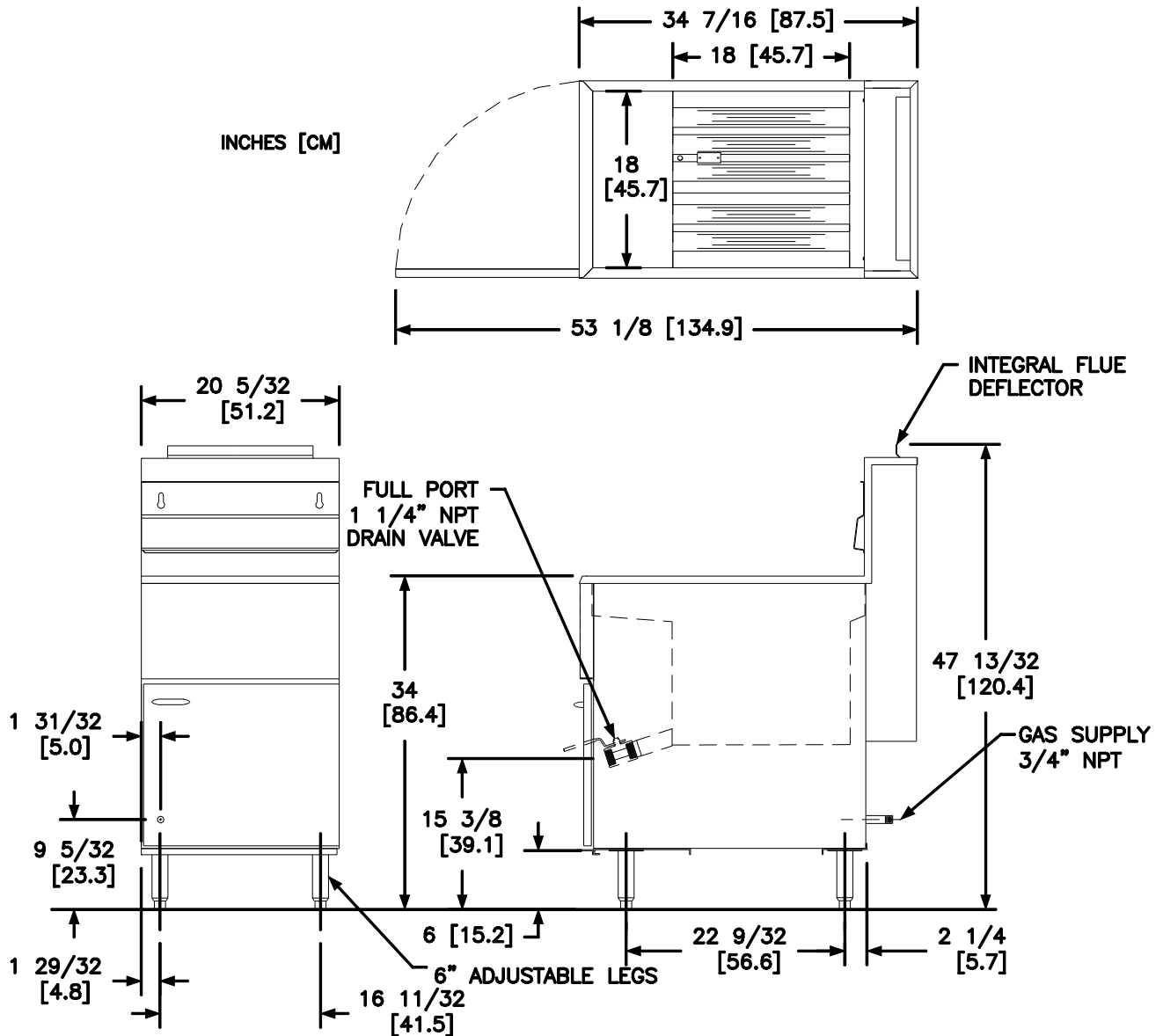
Pitco Frialator, Inc • P.O. Box 501, Concord, NH 03302-0501 • 553 Route 3A, Bow, NH 03304

603-225-6684 • FAX: 603-225-8497 • [www.pitco.com](http://www.pitco.com)

L10-327 Rev 4 02/16

Printed in the USA

# MODEL 65C+ GAS FRYER



## INDIVIDUAL FRYER SPECIFICATIONS

Model	Frying Area	Cook Depth	Oil Capacity
65C+	18 x 18 in (45.7 x 45.7 cm)	3-1/4 - 5 in (8.3 -12.7 cm)	65-80 Lbs (29.4 - 36.3 kg)

## FRYER SHIPPING INFORMATION (Approximate)

Model	Shipping Weight	Shipping Crate Size H x W x L	Shipping Cube
65C+	226 Lbs (103 kg)	45 x 23 x 38 in (114.3 x 58.4 x 96.5 cm)	22.8 ft <sup>3</sup> . (0.6m <sup>3</sup> )

## INSTALLATION INFORMATION

### GAS SYSTEM REQUIREMENTS

Gas Type	Store Supply Pressure *	Burner Manifold Pressure	* Check plumbing / gas codes for proper gas supply line sizing to sustain burner pressure when all gas appliances are full on.
Natural	7 - 10" w.c.(17.4 mbars/ 1.7 kPa)	4" w.c. (10 mbars / 1 kPa)	
Propane	11 - 13" w.c.(27.4 mbars/ 2.7 kPa)	10" w.c. (25mbars/2.5 kPa)	
Gas Input	150,000 BTU's/Hour (40 kW) (145MJ/hr)	Production Capacity	79.3 lbs Fries per Hr

### CLEARANCES (Do Not Curb Mount)

Front min.	Floor min.	Combustible material		Non-Combustible material		Fryer Flue Area
30" (76.2 cm)	6" (15.25 cm)	Sides min.	Rear min.	Sides min.	Rear min.	Do not block / restrict flue gases from flowing into hood or install vent hood drains over the flue.
		6" (15.2cm)	6" (15.2cm)	0"	0"	

### SHORT FORM SPECIFICATION

Provide Pitco Gas Model tube fired high volume gas floor fryer. Fryer shall be 65-80 lbs oil capacity, 150,000 Kbtu/hr, 18" by 18" fry area, stainless steel peened tank, stainless front, door, sides. Blower Free atmospheric burner system, with millivolt thermostat and thermo-safety pilot, separate gas shut off, 3/4" npt rear gas connect, recessed cabinet back, 1-1/4" Full port drain. Provide options and accessories as follows:



Pitco Frialator, Inc • P.O. Box 501, Concord, NH 03302-0501 • 553 Route 3A, Bow, NH 03304

603-225-6684 • FAX: 603-225-8497 • [www.pitco.com](http://www.pitco.com) L10-327 Rev 4 02/16 Printed in the USA

We reserve the right to change specifications without notice and without incurring any obligation for equipment previously or subsequently sold.