



**Model SGSP22
Spreader Dump Plate**



Project _____
Item No. _____
Quantity _____

Model SGSP22 Spreader Dump Plate

STANDARD SPECIFICATIONS

FRYER CONSTRUCTION

- Pan area allows for holding and draining of finished product.
- Drain screen easily lifts out for cleaning.
- Sheet Pan Shelf holds a full size pan designed to fit between two Solstice fryers providing ample storage for breading, Batter, food utensils, etc.
- All stainless steel construction.

STANDARD ACCESSORIES

- Recessed Pan 4-5/8 in (11.75cm)
- Shelf for Full size sheet pan (sheet pan not supplied by Pitco)
- Removable drain screen
- Basket Hanger

OPERATIONS

- Easily fits between any two (2) of the following Solstice Gas fryers: SG14, SG14R, SG18, SG14T.
- Back mounted basket hanger for convenient basket storage.

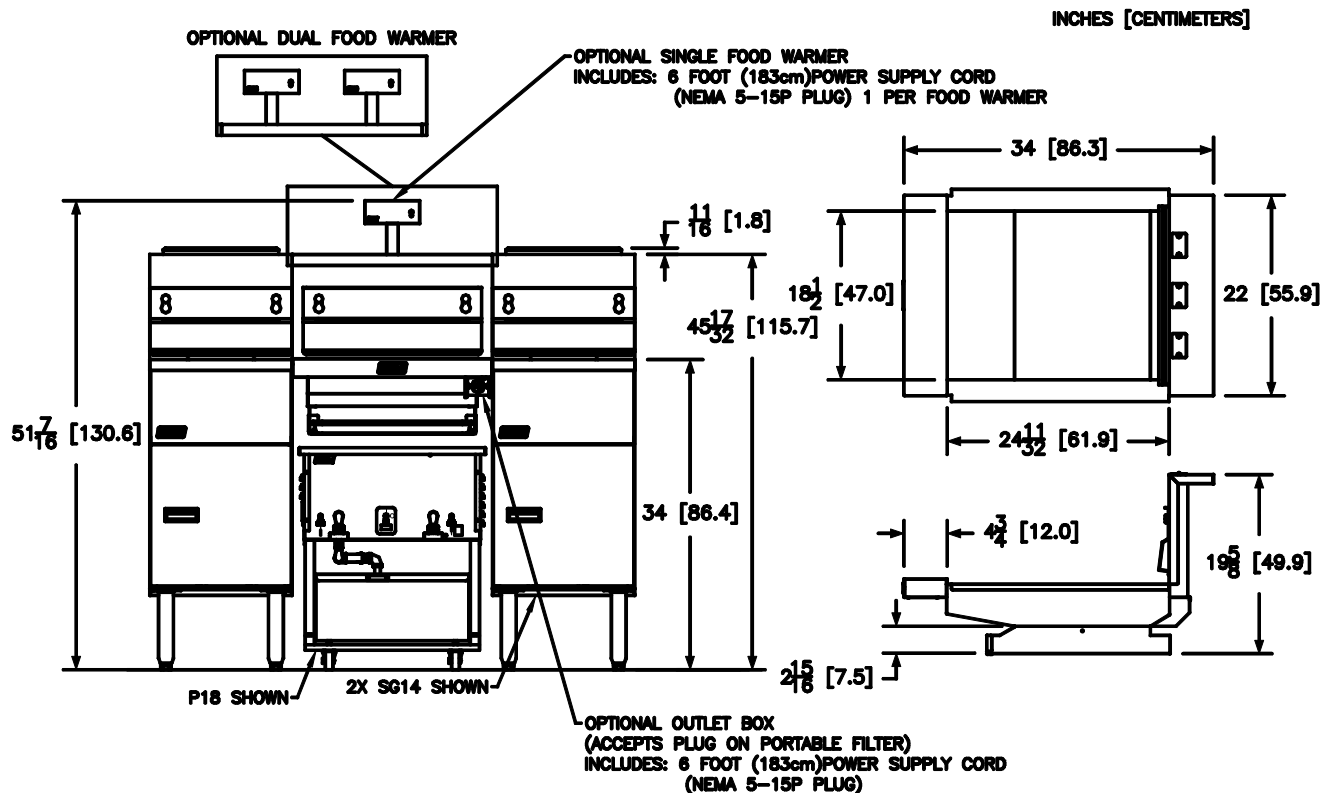
AVAILABLE OPTIONS & ACCESSORIES

- Cover and (or) Flush Top work surface
- Food Warmer / Heat Lamp
- Outlet Box
- Scoop pan liner in lieu of drain screen (for scooping of French Fries, etc.)
- Dual Food warmer / Heat lamp



MODEL SGSP22 SPREADER DUMP PLATE

Model SGSP22 Spreader Dump Plate



ORDERING INFORMATION

Specify model number of fryers desired and placement of spreader cabinet.

SHORT FORM SPECIFICATION

Provide Pitco Model SG Spreader Dump Plate. Spreader Dump Plate shall be supplied to match the dimensions of existing or new SG Gas equipment. Spreader Dump Plate shall be supplied with a removeable drain screen, 4-5/8 in [11.5 cm] recessed pan and basket hanger.

ELECTRICAL

Per each Food warmer	115V 60HZ	220-230-240V 50HZ
	6.3 amps	3.1 amps

TYPICAL APPLICATION

Provide a draining and holding area between two (2) Solstice gas fryers for finished products. Provide additional work area when used with optional flat or flush surface. Provides storage area underneath for portable filter.

SHIPPING INFORMATION

Model	Shipping Weight	Shipping H x W x L	Shipping Cube
SG-SP22	150 lb (68.0 kg)	45.0 x 19.0 x 36.0 in (114.3 x 48.3 x 91.4 cm)	17.8 ft ³ (0.5 m ³)

