



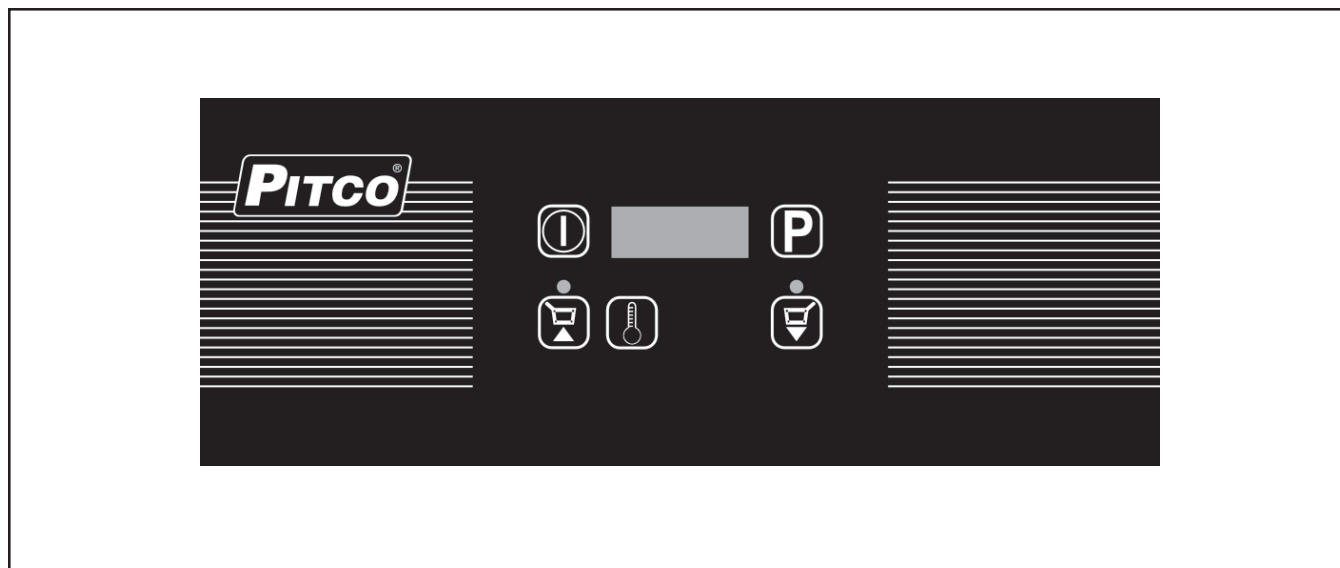
Digital Controller

Digital Controller

Project _____

Item No. _____

Quantity _____



STANDARD SPECIFICATIONS

CONSTRUCTION

- Available for all Solstice Electric models and all Solstice Gas models with Matchless Ignition
- Smooth acting, long life, touch pad.
- Four character display for easy to read visuals.
- Solid-state integrated circuit design.
- Electronic thermostat built-in precise temperature control.
- Designed to fit into existing fryer front panels.

CONTROLS

- Two independently programmable product keys.
- Two easy to understand function keys.

OPERATIONS

- Controls oil temperature between 250°F and 380°F (121°C to 193°C)
- Field programmable: selectable passwords for program protection.
- Provides digital display of shortening temperature.

- Digital display shows cook and hold time in minutes and seconds.
- Product keys can each be programmed in minutes and seconds.
- Three settings to control fryer melt cycle: full heat, melt liquid shortening, and melt solid shortening.
- Visible (digital display) and audible alarms for high oil temperature, temperature probe failure and when product is finished cooking.
- Operates optional basket lifts.
- Programmable Celsius or Fahrenheit temperature unit selection.

UPGRADE COMPATIBILITY

- The Digital Controller can be added to any Pitco Solstice Electric fryer, or to any Pitco Solstice Gas fryer with Matchless Ignition, quickly and easily

APPROVALS

- CSA Certified (AGA, CGA)
- UL Listed
- MEA Approved
- CE Certified



Patent Pending

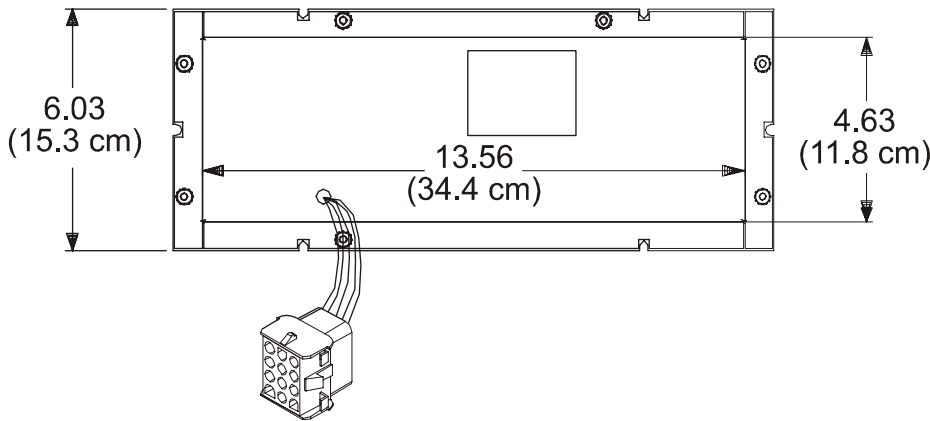
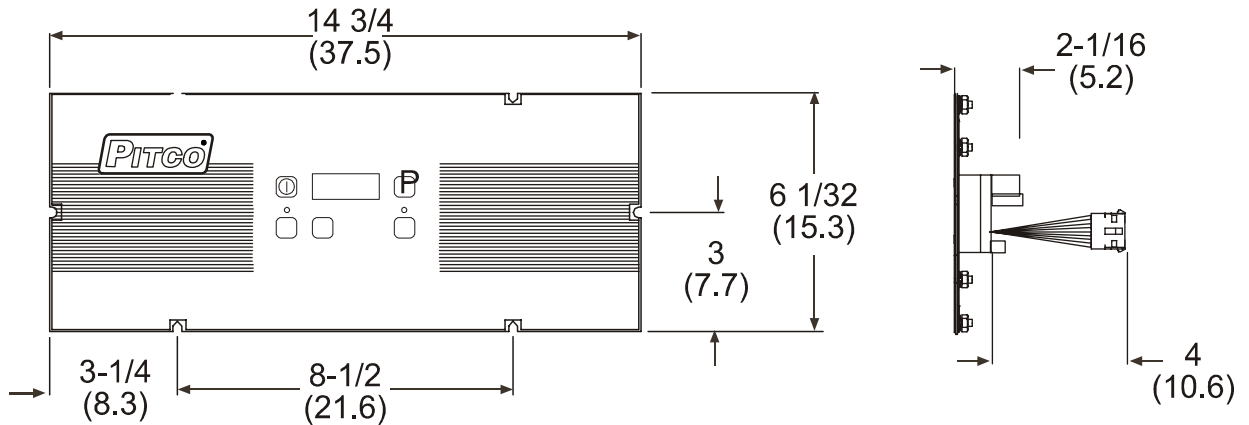
Pitco Frialator, Inc., P.O. Box 501, Concord, NH 03302-0501 • 509 Route 3A, Bow NH 03304, USA
(603) 225-6684 • Fax (603) 225-8472 • www.pitco.com



L10-098 Rev 4 (08/02)



Digital Controller



INCHES
CENTIMETERS

ELECTRICAL		PERFORMANCE CHARACTERISTICS
Option	Voltage/Phase/HZ	
	120/1/60	24/1/50
	AMPS/EA	AMPS/EA
CONTROLLER	0.5	0.5
<ul style="list-style-type: none"> • Programmable temperature, cook, shake, and hold time. • Selectable melt cycles, and password. • Adaptive "Lifeguard" system to prolong fryer life. 		
SHORT FORM SPECIFICATION		
<p>Provide Pitco Digital Solid State Controller cooking control. Shall have password program protection. To have integral adaptive "Lifeguard" features to facilitate component durability. Shall have selectable melt cycles for either liquid, solid, or no melt. Shall be covered by a 2-year warranty.</p>		
TYPICAL APPLICATION		
<p>Digital cooking control for consistently cooked products.</p>		

