



IMPORTANT FOR FUTURE REFERENCE

Please complete this information and retain this manual for the life of the equipment:

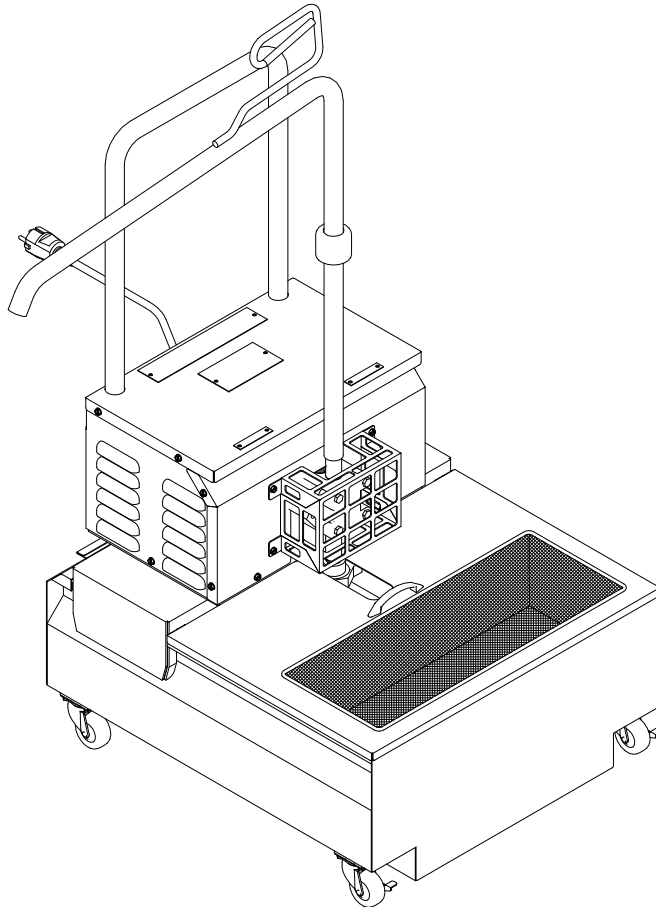
Model #: _____

Serial #: _____

Date Purchased: _____

ENGLISH

Installation and Operation Manual Covering Models P90, P90K, P90KL



TO THE PURCHASER, OWNER AND STORE MANAGER



Please review these warnings prior to posting them in a prominent location for reference.

WARNING

DO NOT store or use gasoline or other flammable vapors and liquids in the vicinity of this or any other appliance.

WARNING

Improper installation, alteration, service or maintenance can cause property damage, injury or death. Read the installation, operating and maintenance instructions thoroughly before installing or servicing this appliance.

WARNING

Installation, maintenance and repairs should be performed by a Pitco Authorized Service and Parts (ASAP) company technician or other qualified personnel. Installation, maintenance or repairs by unauthorized and unqualified personnel will void the warranty.

WARNING

Installation and all connections must be made according to national and local regulations and codes in force.

WARNING

A country approved all pole circuit breaker with a minimum open contact gap of 3mm must be used for proper installation. (CE countries)

WARNING

During the warranty period if a customer elects to use a non-original part or modifies an original part purchased from Pitco and/or its Authorized Service and Parts (ASAP) companies, this warranty will be void. In addition, Pitco and its affiliates will not be liable for any claims, damages or expenses incurred by the customer which arises directly or indirectly, in whole or in part, due to the installation of any modified part and/or received from an unauthorized service center.

WARNING

This appliance, when installed, must be electrically grounded in accordance with local codes, or in the absence of local codes, with the National Electrical Code, ANSI/NFPA 70, or the Canadian Electrical Code, CSA C22.2, as applicable.

WARNING

DO NOT alter or remove structural material on the appliance to facilitate storage or for any other reason.

WARNING

This appliance is intended for professional use only and should be operated by fully trained and qualified personnel.

WARNING

DO NOT use the electrical cord as a leash to move the appliance. Series injury and appliance damage can occur.

WARNING

If the supplied power cord or receptacle is damaged, it must be replaced by a Pitco Authorized Service and Parts (ASAP) company technician, or a similarly qualified person in order to avoid a hazard.

WARNING

The power supply must be disconnected before servicing, maintaining or cleaning this appliance.

WARNING

The appliance is NOT jet stream approved. DO NOT clean the appliance with a water jet.

WARNING

DO NOT attempt to move this appliance or transfer hot liquids from one container to another when the unit is at operating temperature or filled with hot liquids. Serious personal injury could result if skin comes in contact with the hot surfaces or liquids.

WARNING

DO NOT sit or stand on this appliance. The appliance's top panel, filter pan, filter carriage, pan cover is not a step. Serious injury could result from slipping, falling or contact with hot liquids.

WARNING

NEVER use the appliance as a step for cleaning or accessing the ventilation hood. Serious injury could result from slips, trips or from contacting hot liquids.

WARNING

The filter pan should be dry and free of water droplets prior to use. Serious injury could result from hot steam vapors when hot oil/shortening mixes with water.

WARNING

DO NOT overfill filter pan with hot oil/shortening. Do not leave appliance unattended while draining or refilling with oil/shortening. Over filling the appliance can cause serious injuries and damage the appliance.

WARNING

The contents of the crumb catch and/or filter pan of any filter system must be emptied into a fireproof container at the end of each day. Some food particles can spontaneously combust if left soaking in certain types of oil or shortening.

WARNING

Completely shut the appliance down when the oil/shortening is being drained from the appliance. This will prevent the appliance from heating up during the draining and filling process. Serious injury and appliance damage can occur.

WARNING

This appliance is intended for indoor use only.

WARNING

DO NOT operate appliance unless all panels and access covers are attached correctly.

WARNING

It is recommended that this appliance be inspected by a qualified service technician for proper performance and operation on a yearly basis

WARNING

This appliance is designed to operate on a specific voltage. This information can be found on the data plate located on the rear of the appliance

TABLE OF CONTENTS

ASSEMBLY..... 3

OPERATION 3

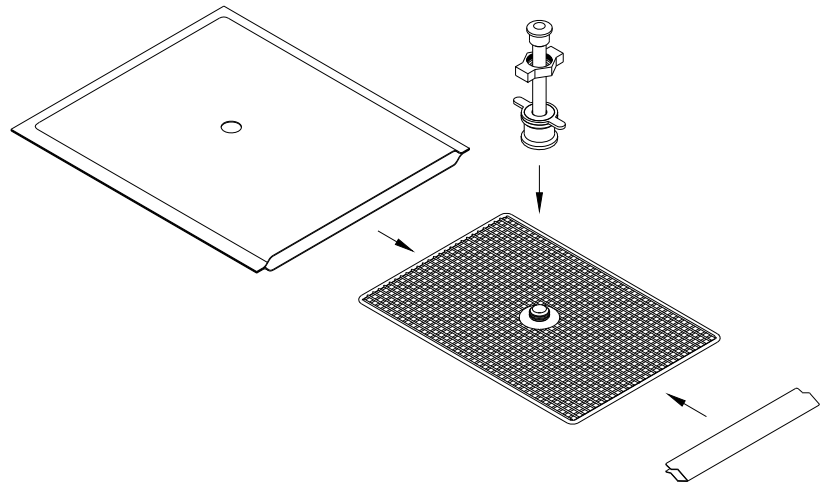
CLEANING..... 3

TROUBLESHOOTING 4

SCHEMATICS..... 4

ASSEMBLY

Place the Paper Support Rack inside the filter envelope so that the threaded coupling fits into the hole cut in the top of the paper. Fold the open end of the filter envelope over two times and push the Clip over folded end of filter envelope. Thread the Pick Up Tube onto the threaded coupling and hand tighten. Insert filter envelope assembly into filter pan and connect the Pick Up Tube Union to the Pump assembly.



Sprinkle filter powder over filter envelope assembly, if desired.

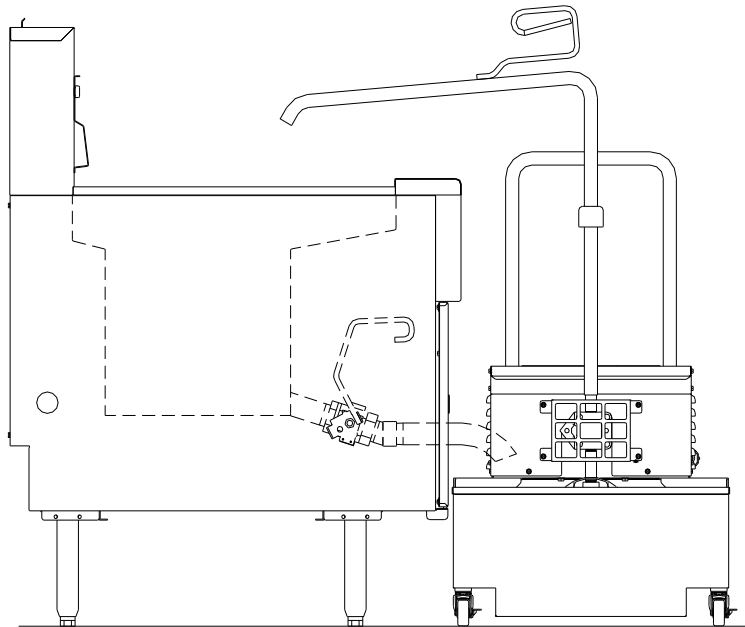
Install Filter Pan Cover onto Filter Pan and Filter Crumb Catch into Filter Pan Cover.

OPERATION

Push the filter unit up to the fryer to be filtered and plug in the power cord into the electrical supply. Screw the draining adapter into the fryer drain valve so that the oil can be drained into the filter.

Adjust location of filter pan so drain adapter will drain into Filter Crumb Catch. Turn fryer off. Carefully open the drain valve and drain the oil into the filter pan.

Position Refill Tube outlet over the fry pot of the fryer. Press the power switch to the On position and allow the oil to return to the fry pot. The returning oil will wash any remaining debris from the bottom of the fry pot. When the fry pot is clear close drain valve and return all of the oil.



After all the oil has been returned to the fry tank the filter will begin to pump air, this will be evident by a significantly reduced flow from the Refill Tube. Allow filter to pump air for about 15 seconds, press the power switch to the OFF position. The filtering process is now complete.

To allow oil to drain from refill tube, wait 15 seconds after filtering is completed to move filter.

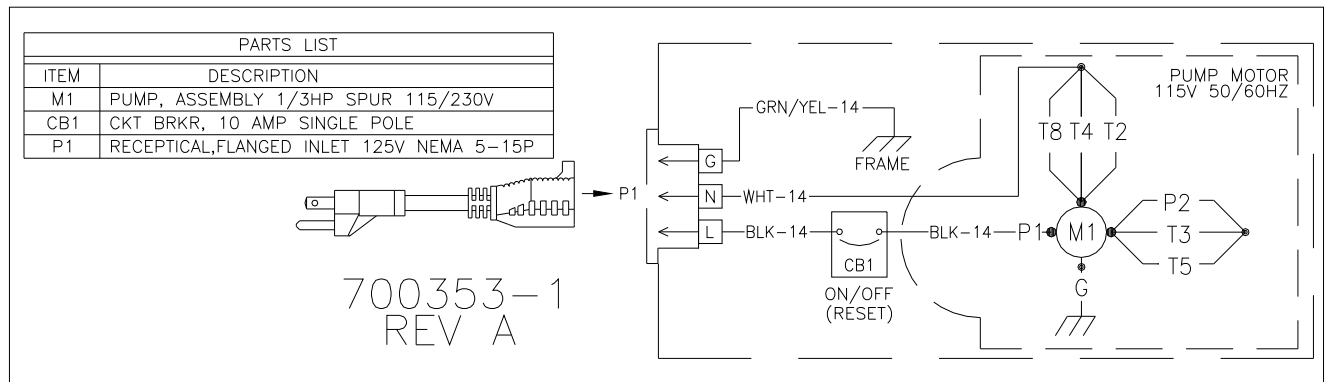
CLEANING

Disassemble filter pan and remove Filter Pump assembly from filter pan. Clean with a general degreasing detergent, rinse with fresh water and dry thoroughly. All components that can be removed from the filter unit may be cleaned in a dish washer. This is generally a good time to install a fresh filter paper in preparation for the next filtering.

TROUBLESHOOTING

Pump does not run	Check circuit breaker
Pump does not run, power is present at the machine, circuit breaker is NOT tripped	Check the motor overheat trip switch located on the end of the motor
Pump is running, but oil is not being pumped	Check for blockages in piping and return hose
Air bubbles are present when oil is being pumped	There is an air leak on the suction side of the pump, check filter connections

SCHEMATICS



This page Intentionally left blank

This page intentionally left blank

In the event of problems with or questions about your order, please contact the Pitco Frialator factory at:
(603) 225-6684 World Wide

In the event of problems with or questions about your equipment please contact the Pitco Frialator Authorized Service and Parts Representative (ASAP) covering your area or contact Pitco at the numbers listed to the left.

MAILING ADDRESS – P.O. BOX 501, CONCORD, NH 03302-0501
SHIPPING ADDRESS – 10 FERRY ST., CONCORD, NH 03301