

Item No.

## Built To Anets Standards, Priced For Today's Market, The SilverLine Fryer From Anets

Anets provides the best value in frying with the new SLG40 gas fryer. The improved design provides an affordable fryer that keeps up with load after load of production. The heating system has been engineered for maximum efficiency and cleanability. Using 2 burner tubes equipped with computer designed radiants, this fryer requires only 90,000 BTU (26 kW) (95 Mj) input to achieve maximum cooking capacity. The unique shape of the tubes allows easy access to all areas of the frypot. Center mounted snap action thermostat responds quickly to fry loads. The Anets SLG40 is built to perform, easy to clean, and priced to purchase today.

### STANDARD FEATURES

- Stainless steel front, door and trim are standard features
- 90,000 BTUH (26 kW) (95 Mj) from only two tubes, easiest model on the market to clean
- Computer designed radiant enable the burners to efficiently reach 45,000 BTUH (13 kW) (47 Mj) per burner tube
- The unique tapered elliptical tubes provide 14% more heat transfer area than competitive models (see **Design Features** on back)
- Outstanding serviceability, all components easily accessible and replaceable from the front
- Stainless steel basket hanger lifts off for easy cleaning
- Food particles fall below burner tubes into cold zone to prolong shortening life
- Large 1-1/4" (3.2 cm) ball-type full port drain valve prevents clogging



ANETS  
**SilverLINE™**



**ANETS'**

ANETS INC PO BOX 501, CONCORD, NH 03302-0501  
553 ROUTE 3A, BOW, NH 03304 TEL: 603-225-6684, FAX:603-225-8497  
L10-507 R6 www.anets.com

We reserve the right to change specifications without notice and without incurring any  
Obligation for equipment previously or subsequently sold.

# Anets SilverLine 14 Gas Fryer

# Model SLG40

## SPECIFICATIONS

- |                           |                                                                                        |
|---------------------------|----------------------------------------------------------------------------------------|
| ■ Model                   | SLG40, Stainless steel frypot                                                          |
| ■ Certification           | CE, CSA, NSF                                                                           |
| ■ Gas Input               | 90,000, BTU/hr. (26 kW) (95 MJ)                                                        |
| ■ Gas Pressure            | NG 3.5 WC (8.7 mbar) (0.87 kPa)<br>LP 10 WC (25 mbar) (2.5 kPa)                        |
| ■ Gas Connection          | ½" NPT (1.2 cm) (12.7 mm)                                                              |
| ■ Electrical Requirements | None                                                                                   |
| ■ Thermostat              | Snap action millivolt control                                                          |
| ■ Temperature Range       | 175 -375 F, (79 -190 C)<br>Safety control turns off gas supply at<br>428 F (220 C)     |
| ■ Hi-Limit                | 100% gas shut off valve                                                                |
| ■ Safety Pilot            | Cast iron, atmospheric                                                                 |
| ■ Burners                 | Stainless steel                                                                        |
| ■ Frypot                  | Door, stainless steel Backsplash,<br>stainless steel Basket Hanger, stainless<br>steel |
| ■ Cabinet                 |                                                                                        |
| ■ Shortening Capacity     | 35-40 lbs (16- 18 kg)                                                                  |
| ■ Frying Area             | 14 x 14.5 (36cm x 37cm)                                                                |
| ■ Shipping Weight         | 135 lbs.(61 kg)                                                                        |
| ■ Warranty                | 1 year parts and labor                                                                 |

## STANDARD ACCESSORIES

- 2 Twin nickel plated baskets
- Rack type basket support
- 6" (15.2 cm) Adjustable legs
- Drain pipe extension
- Flue extension/Diverter

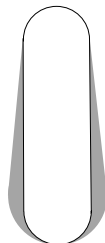
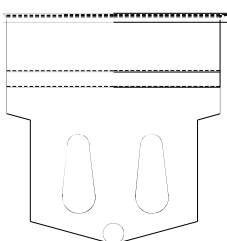
## OPTIONS AND ACCESSORIES

- Single or triple baskets
- Casters

## DESIGN FEATURES

### Two Tubes

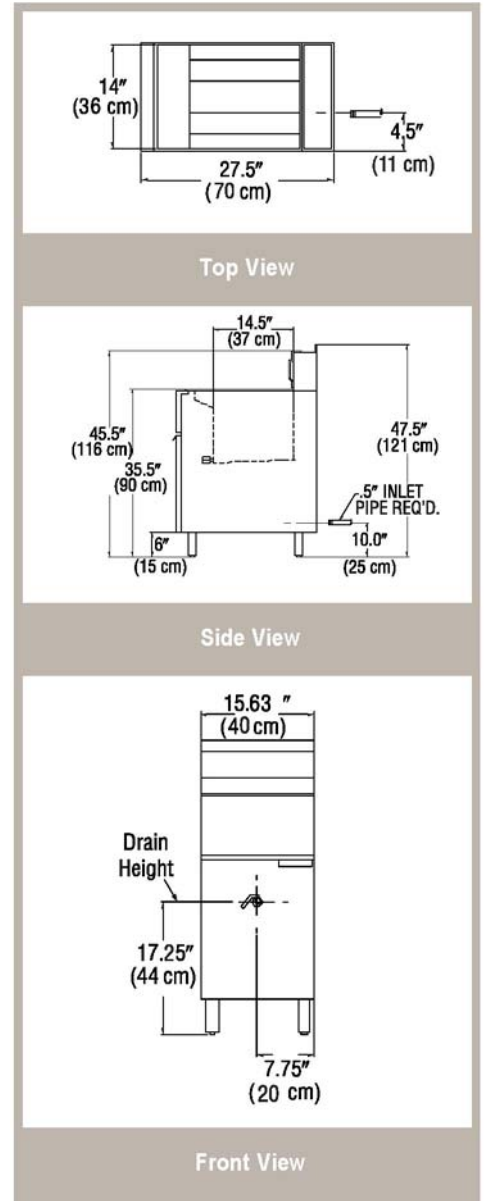
- Easier to clean
- Optimum access to cold zone



### OTHERS

#### Tapered Elliptical Shape

- 14% more surface area for heat transfer
- Food particles cannot accumulate on top of tubes



Specifications subject to change without notice.



ANETS INC PO BOX 501, CONCORD, NH 03302-0501  
553 ROUTE 3A, BOW, NH 03304 TEL: 603-225-6684, FAX: 603-225-8497  
L10-507 R6 www.anets.com

We reserve the right to change specifications without notice and without incurring any obligation for equipment previously or subsequently sold.