

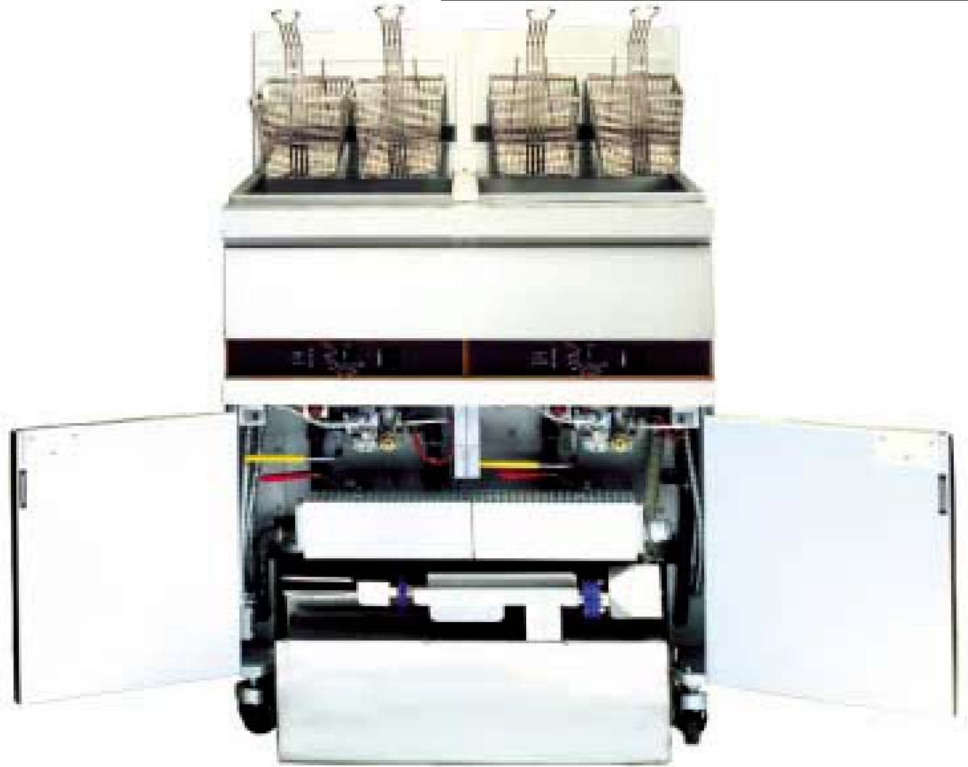
Item No.

Save On Kitchen Space, Shortening And Labor Costs With The Filter Mate Under Fryer Filter System

Designed to fit under the base system of two 14 GoldenFry™ fryers, the large 100 lb shortening capacity allows this system to be used with 14 Using quick disconnects, the filter is simple to disassemble for cleaning. Filter intake leaves no shortening residue in tank. Easy to identify handles make filtering a simple process. Filter one fryer while cooking in the others. Promotes longer shortening life and a consistent high quality product.

STANDARD FEATURES

- For use with (2) 14 Anets GoldenFry™ fryers (base system)
- Large 100 lb shortening capacity
- Easy quick disconnect assembly
- New Anets filter eliminates clogging when used with special filter paper envelopes
- Filter intake draws shortening from the top and bottom leaving virtually no shortening residue
- Safety interlock shuts off burners to prevent empty frypot from heating
- Can be used as a portable filter (with optional hose assembly)
- Stainless steel open tank is removable for easy cleaning



A N E T S
GoldenFry™



Warranty: 1 year Parts and Labor

ANETS

ANETS INC PO BOX 501, CONCORD, NH 03302-0501
509 ROUTE 3A, BOW, NH 03304 TEL: 603-225-6684, FAX:603-225-8497
L10-511 R2 www.anets.com

We reserve the right to change specifications without notice and without incurring any
Obligation for equipment previously or subsequently sold.



SPECIFICATIONS

Model	FM-14, Filter Mate
Certification	NSF, ETL
Electrical Requirements	120V, 1 Phase, 8 Amps
Motor	1/3 HP
Pump Speed	5 Gallons per minute
Casters	2
Filter Tank	Stainless steel
Shortening Capacity	100 lbs

STANDARD ACCESSORIES

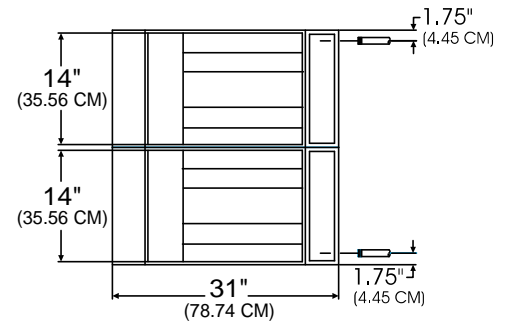
5 Envelope filter papers

OPTIONS AND ACCESSORIES

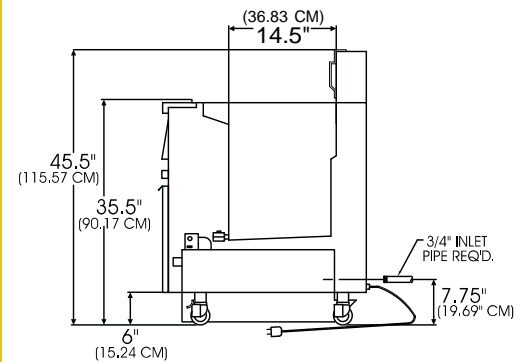
Hose assembly for shortening disposal and converting filter to portable unit

100 Envelope filter paper

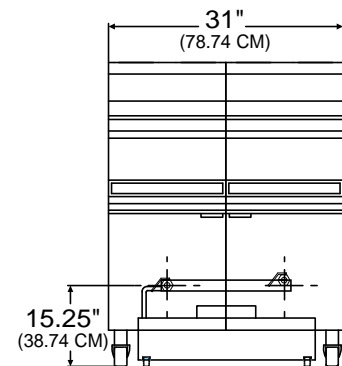
Cleaning brush



Top View



Side View



Front View