

Item No.

The Anets Filtronic™ Filter System Keeps Your Frying Operations At Peak Performance

Save on shortening and produce top quality product by filtering your shortening with the Filtronic II™ filter system. Simple to operate, this hands off system makes it easy to filter fast and filter often. Color coded handles are easy to identify. Filter one fryer while cooking in the others. Self contained system does not interfere with kitchen operations.

STANDARD FEATURES

- Available in 2 capacities 80 lb and for 14" and 18" fryers
- Can bank up to 6 fryers on one system
- Anets filter eliminates clogging when used with special filter paper envelopes
- Easy quick disconnect assembly
- Safety interlock shuts off burners to prevent empty frypot from heating
- Stainless steel filter tank is removable for easy cleaning
- Convert filter cabinet into holding station with the optional swivel heat lamp (Crispy Food Warmer)



Filt II - 14W shown
(model includes Crispy Food Warmer)
banked with
(2) MX - 14E fryers on optional casters



ANETS
GoldenFRY™



Warranty: 1 year Parts and Labor

ANETS

ANETS INC PO BOX 501, CONCORD, NH 03302-0501
509 ROUTE 3A, BOW, NH 03304 TEL: 603-225-6684, FAX:603-225-8497
L10-512 R2 www.anets.com

We reserve the right to change specifications without notice and without incurring any
Obligation for equipment previously or subsequently sold.



SPECIFICATIONS

- Model
 - Filt II-14, 14 built in filter system
 - Filt II-14W, 14 built in filter system/with Crispy Food Warmer
 - Filt II-18, 18 built in filter system
 - Filt II-18W, 18 built in filter system/with Crispy Food Warmer
- Certification
 - UL, NSF
- Electrical Requirements - Filter Unit
 - 120V, 1Ph, 60 HZ, 6 Amps
- Electrical Requirements - Crispy Food Warmer
 - 120V, 1Ph, 60 HZ, 54 Amps
- Motor
 - 1/3 HP
- Pump Speed
 - 5 Gallons per minute
- Shortening Capacity
 - 80 lb (14 model)
 - 120 lb (18-20 model)
- Casters
 - 2
- Cabinet
 - All Stainless Steel construction
 - Excluding rear and bottom braces.
- Filter Tank
 - Stainless steel

See individual fryer specification sheets for fryer specifications and options

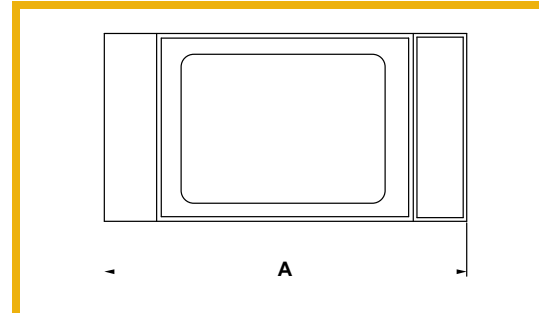
STANDARD ACCESSORIES

- 5 Filter paper envelopes

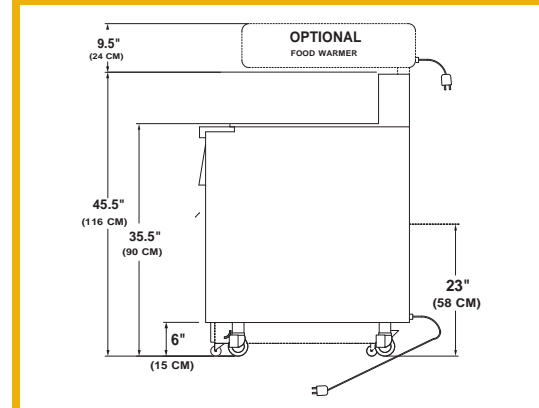
OPTIONS AND ACCESSORIES

- Hose assembly for shortening disposal and converting filter to portable unit
- Cleaning brush
- Filter Power/Oil Purifier
- 100 Envelope filter paper

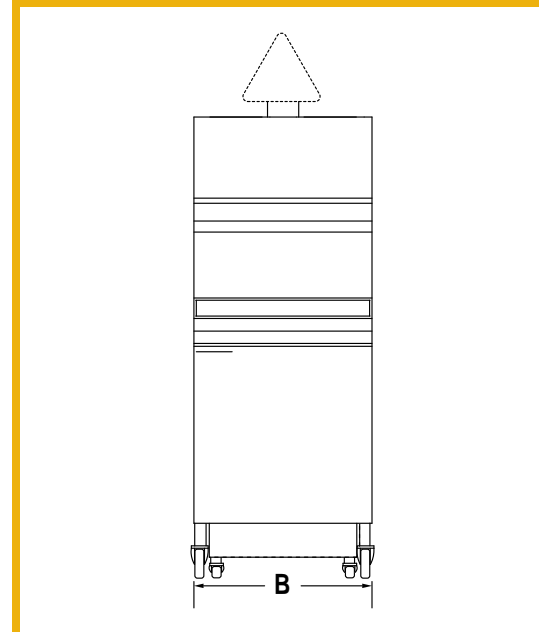
Filtronic	A	B
14/14W	31"	15.63"
	79 CM	39 CM
18/18W	35"	19.63"
	89 CM	50 CM



Top View



Side View



Front View

Note: When ordering, specify filter cabinet location.