



**PFA & PFC  
VENTLESS COUNTERTOP DEEP FRYERS  
REPLACEMENT PARTS LIST**

**EFFECTIVE FEBRUARY 18, 2020**

*Superseding All Previous Parts Lists.*

*The Company reserves the right to make substitution in the event that items specified are not available.*

*ERRORS: Descriptive and/or typographic errors are subject to correction.*

---

**PERFECT FRY COMPANY**

42 Allen Martin Drive, Essex Junction, Vermont 05452 USA Telephone: (802) 658-6600 Fax: (802) 860-3732  
[www.perfectfry.com](http://www.perfectfry.com)

*P/N 83723 Rev A (2/20)*

**WARNING**

DO NOT store or use gasoline or other flammable vapors and liquids in the vicinity of this or any other appliance.

**WARNING**

Improper installation, alteration, service or maintenance can cause property damage, injury or death. Read the installation, operating and maintenance instructions thoroughly before installing or servicing this appliance.

**WARNING**

Installation, maintenance and repairs should be performed by a Perfect Fry Authorized Service and Parts (ASAP) company technician or other qualified personnel. Installation, maintenance or repairs by an unauthorized and unqualified personnel will void the warranty.

**WARNING**

Installation and all connections must be made according to national and local regulations and codes in force.

**WARNING**

A country approved all pole circuit breaker with a minimum open contact gap of 3mm must be used for proper installation. (CE countries)

**WARNING**

During the warranty period if a customer elects to use a non-original part or modifies an original part purchased from Perfect Fry and/or its Authorized Service and Parts (ASAP) companies, this warranty will be void. In addition, Perfect Fry and its affiliates will not be liable for any claims, damages or expenses incurred by the customer which arises directly or indirectly, in whole or in part, due to the installation of any modified part and/or received from an unauthorized service center.

**WARNING**

This appliance, when installed, must be electrically grounded in accordance with local codes, or in the absence of local codes, with the National Electrical Code, ANSI/NFPA 70, or the Canadian Electrical Code, CSA C22.2, as applicable.

**WARNING**

Adequate means must be provided to LIMIT the movement of this appliance without depending on the electrical cord connection. Single appliances equipped with legs must be stabilized by installing anchor straps. All appliances equipped with casters must be stabilized by installing restraining chains.

**WARNING**

This appliance is intended for professional use only and should be operated by fully trained and qualified personnel.

**WARNING**

If the supplied power cord is damaged, it must be replaced by a Perfect Fry Authorized Service and Parts (ASAP) company technician, or a similarly qualified person in order to avoid a hazard.

**WARNING**

The power supply must be disconnected before servicing, maintaining or cleaning this appliance.

**WARNING**

The appliance is NOT jet stream approved. DO NOT clean the appliance with a water jet.

**WARNING**

DO NOT attempt to move this appliance or transfer hot liquids from one container to another when the unit is at operating temperature or filled with hot liquids. Serious personal injury could result if skin comes in contact with the hot surfaces or liquids.

**WARNING**

DO NOT sit or stand on this appliance. Serious injury could result from slipping, falling or contact with hot surfaces or liquids.

**WARNING**

NEVER use the appliance as a step for cleaning or accessing the ventilation hood. Serious injury could result from slips, trips or from contacting hot surfaces or liquids.

**WARNING**

DO NOT use the appliance unless it is properly secured to a table, stand or freezer / refrigerated base suited to handle the weight of the entire appliance.

**WARNING**

DO NOT operate appliance unless all panels and access covers are attached correctly.

**WARNING**

It is recommended that this appliance be inspected by a qualified service technician for proper performance and operation on a yearly basis.

# TABLE OF CONTENTS

PFA MODEL .....	4
PFC MODEL .....	6
PFA DOOR/DRAWER AREA .....	8
PFC DOOR .....	9
PERFECT FRY FILTER AREA .....	10
PERFECT FRY HEATER ASSEMBLIES .....	11
PFA OIL VAT ASSEMBLY .....	12
PFC OIL VAT ASSEMBLY .....	13

**IMPORTANT FOR FUTURE REFERENCE**

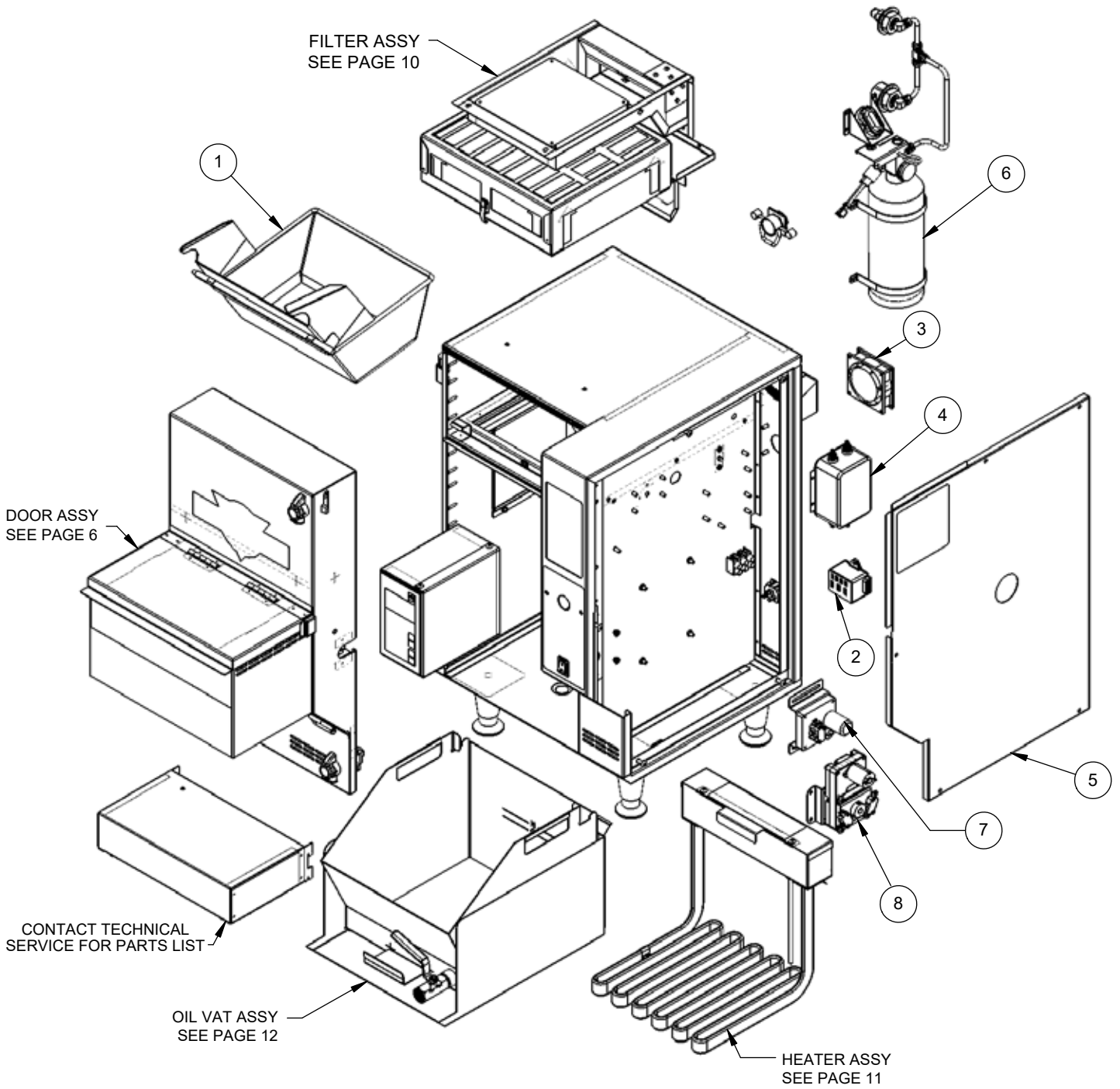
Please complete this information and retain this manual for the life of the equipment:

Model # \_\_\_\_\_

Serial # \_\_\_\_\_

Date Purchased \_\_\_\_\_

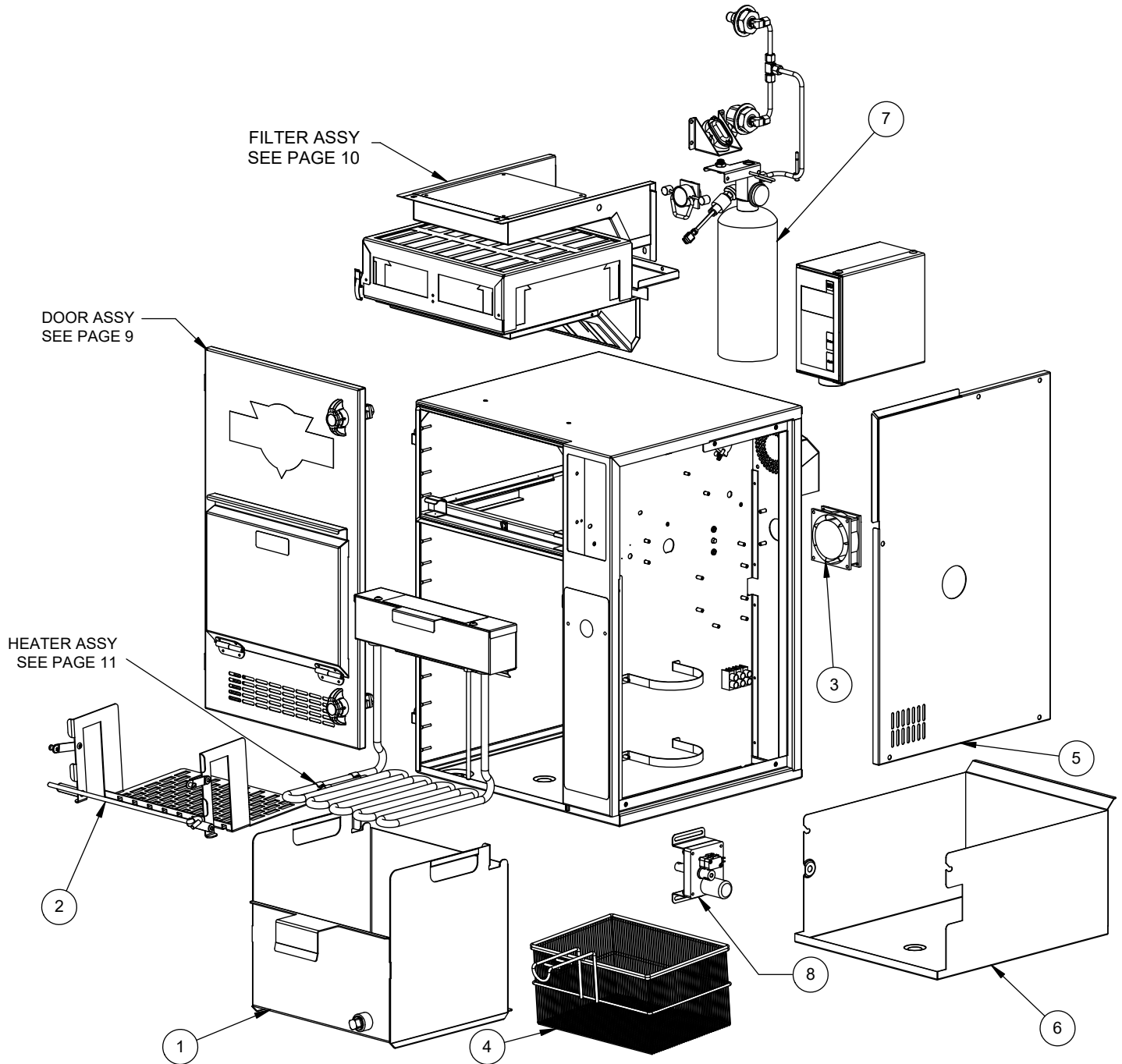
# PFA MODEL



# PFA MODEL

Item	Old P/N	New P/N	Description	QTY
1	3BA001	83258	ASSEMBLY, BASKET PFA	1
2	3CT765-C	83706	KIT, ASSEMBLYFEMALE CONNECTOR	1
3	2DT952	83423	KIT, CONTROL FAN	1
4	6WT903	83303	FILTER, EMI 30A	1
5	6SA014-C	83200	PANEL, CONTROL ACCESS PFA	1
6	2DT943-C	83660	KIT, FIRE MASTER WET CHEMICAL	1
7	2HA001-C	83237	DRAWER MOTOR ASSEMBLY	1
8	2HA002-C	83237	BASKET MOTOR ASSEMBLY	1
NS	2DT002-CL	83636	KIT, FIRE ALARM WITH INSTRUCTIONS	1
NS	2DT965	83671	KIT, GASKET FRONT PFA	-
NS	2DT953-C	83425	KIT, FRONT PANEL SWITCH	-
NS	2DT954	83424	KIT,GREASE FILTER/DOOR SWITCH	-
NS	6HT646	83209	SWITCH, AIRFLOW	1

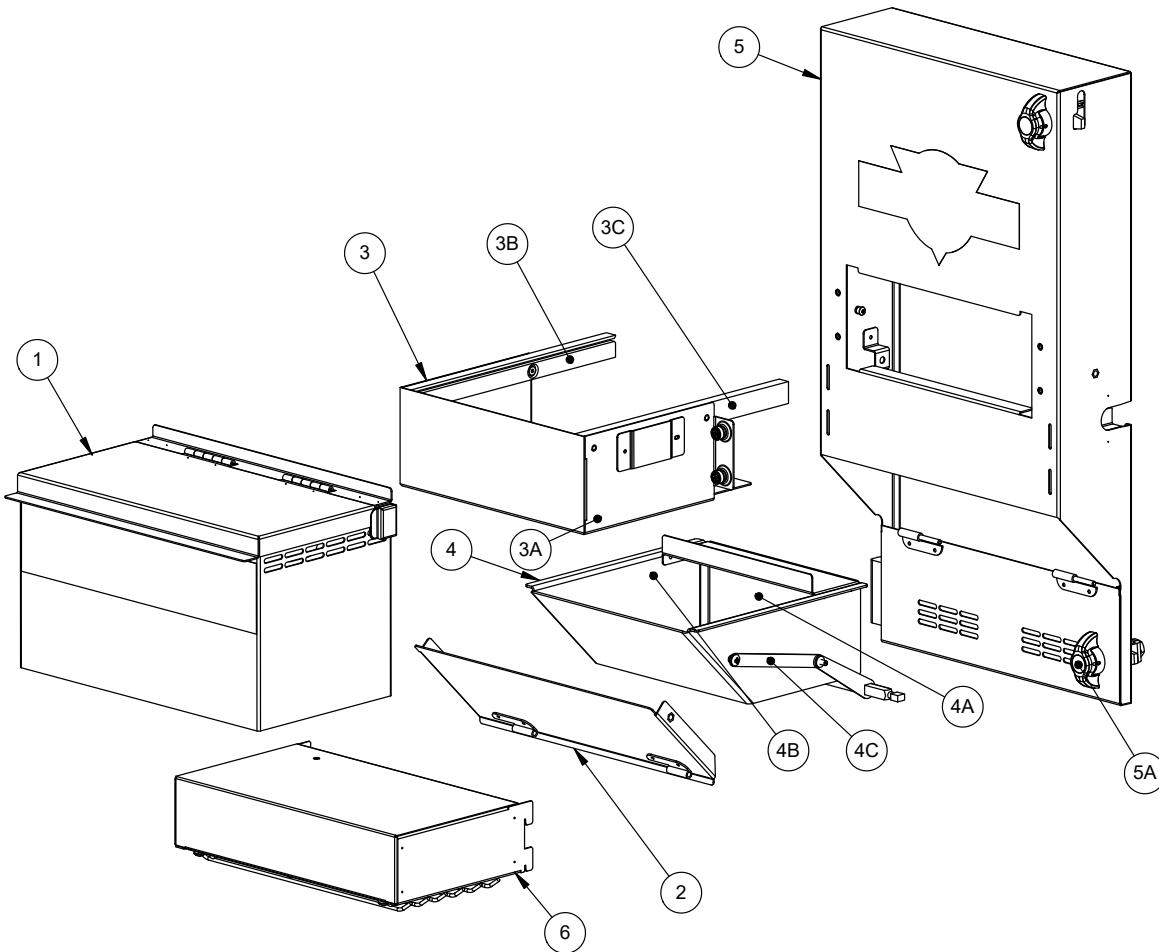
# PFC MODEL



# PFC MODEL

Item	Old P/N	New P/N	Description	QTY
1	2DT005-C	83273	ASSEMBLY, VAT PFC	1
2	3HT740-C	83193	ASSEMBLY, BASKET LIFT PFC	1
3	2DT952	83423	KIT, CONTROL FAN	1
4	6HT905	83281	BASKET, EXTRA LARGE PFC	1
5	6ST732-C	83201	PANEL, CONTROL ACCESS PFC	1
6	6ST734-C	83198	TRAY, SPILL PFC	1
7	2DT943-C	83660	KIT, FIREMASTER WET CHEMICAL	1
8	2HT689	83231	MOTOR ASSEMBLY	
NS	3CT765-C	83706	ASSEMBLY, FEMALE CONNECTOR	1
NS	6HT002	83649	KIT, COVER X-L BASKET	1
NS	2DT959	83697	KIT, GASKET FRONT PFC	-
NS	2DT969-C	83705	KIT, FEET RUBBER PFC / SFC	-

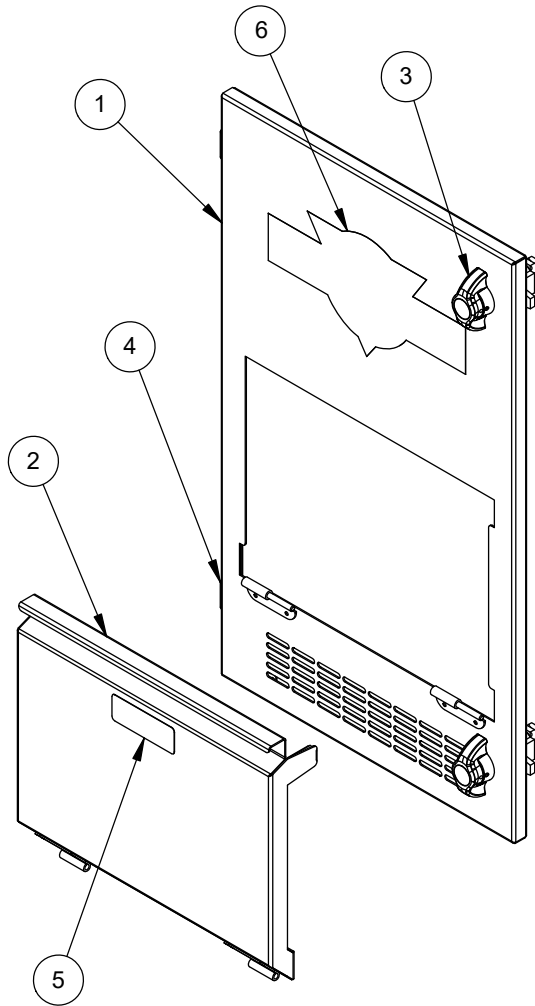
# PFA DOOR/DRAWER AREA



Item	Old P/N	New P/N	Description	QTY
1	2DT007-C	83203	ASSEMBLY, DRAWER AND LID	1
2	6SA021-C	83021	RAMP BASKET PFA	1
3	2DT008-C	83014	ASSEMBLY, DRAWER SLEEVE	1
3A	6SA010-C	83009	SLEEVE DRAWER ASSEMBLY	1
3B	6SA023	83015	GUIDE, DRAWER LEFT PFA	1
3C	6SA024	83016	GUIDE, DRAWER RIGHT PFA	1
4	2DT941-C	83217	ASSEMBLY, SHOVEL DRAWER PFA	1
4A	3DA001	83218	ASSEMBLY, DRAWER DOOR	1
4BV	6SA009-C	83223	ASSEMBLY, SHOVEL	1
4C	6SA006-C	83222	ARM UPPER DRAWER	2
5	2DT950-C	83714	ASSEMBLY, FRONT PANEL PFA	1
5A	6DA100	83059	LATCH, VICE WING NON-LOCKING	2
NS	6DA101	83060	LATCH, VICE WING LOCKING	OPTION
NS	6HA010	83066	SPRING, BASKET RAMP PFA	2
6	N/A	83548	HEAT LAMP, STANDARD, BOXED	-
6	N/A	83549	HEAT LAMP, SWZ/ITL, BOXED	-
6	N/A	83550	HEAT LAMP, EU, BOXED	-
6	N/A	83551	HEAT LAMP, RUSS, BOXED	-

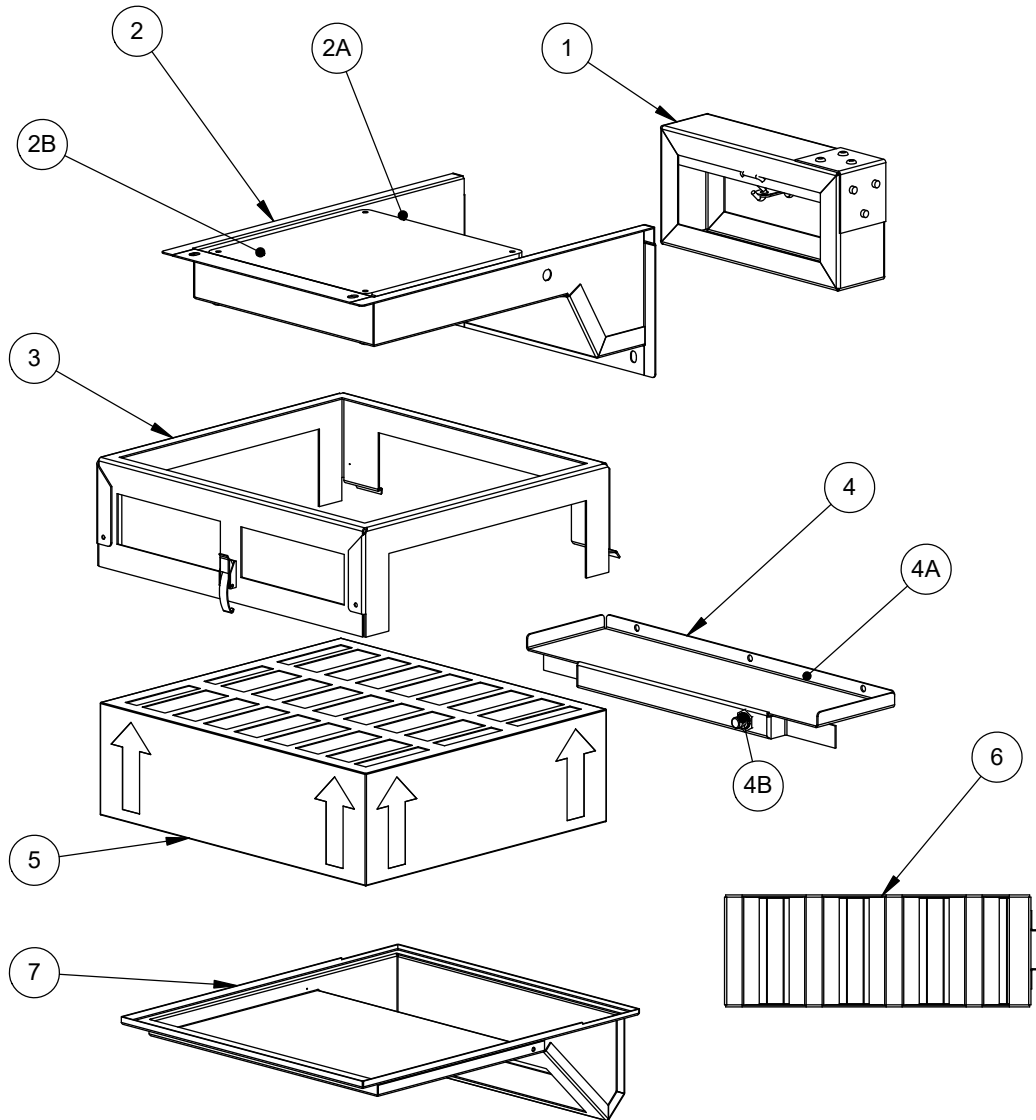


# PFC DOOR



Item	OLD P/N	NEW P/N	Description	QTY
1	6ST814-C	83074	PANEL FRONT	1
2	6ST716-C	83075	DOOR FRONT ASSEMBLY PFC	1
3	6DA100	83059	LATCH, VICE WING NON-LOCKING	2
4	2DT961	83700	HINGE MINI LIFT OFF	1
NS	2DT957	83698	SPRING EXTENSION DOOR	1
NS	6NT830	83150	SCREW, 6-32 X .250 BUTTON SOC CAP	4
NS	6NV175	83157	WASHER, LOCK #6 INTERNAL TOOTH	4
5	6LT841	83079	LABEL, CAUTION HOT	1
NS	6LT002	83078	LABEL, MAINTAINANCE GUIDE PFC	1
6	6LT893	83080	LABEL, PERFECT FRY LOGO LARGE	1

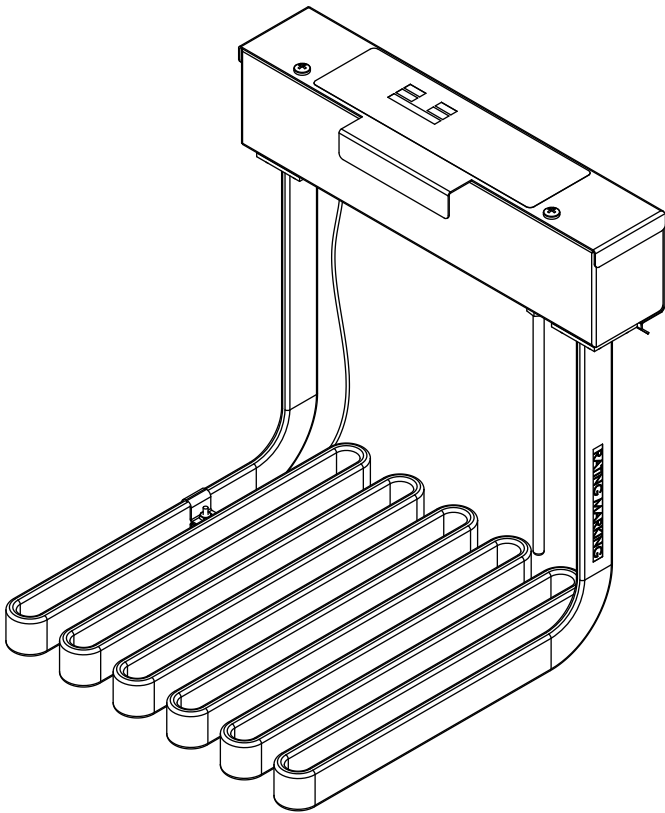
# PERFECT FRY FILTER AREA



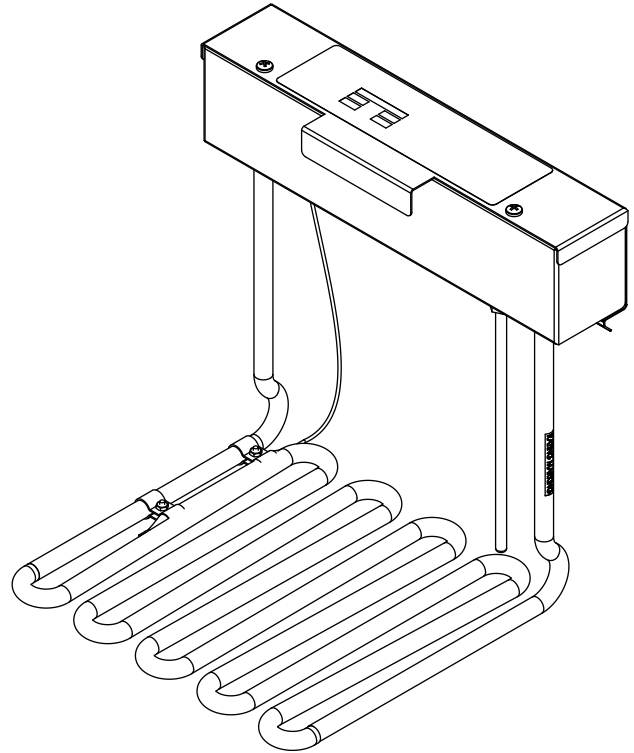
Item	Old P/N	New P/N	Description	QTY
1	6HT588	83252	DAMPER, FIRE ACTUATED	1
2	2HT723-C	83254	ASSEMBLY, AIRFLOW MODULE	1
2A	6ST719-C	83008	SHROUD FAN/DAMPER	1
2B	2DT951-C	83431	FAN, MAIN 12	1
3	6ST730-C	83067	BRACKET, FILTER CAGE	1
4	2DT955-C	83260	ASSEMBLY, AIR FILTER SWITCH	1
4A	6ST891-C	83202	BRACKET, AIR FILTER SWITCH	1
4B	6HT726	83262	SWITCH, AIR FILTER	1
5	2FV803	83553	KIT, FILTER REPLACEMENT, EXPORT ONLY	1
5	2FK001	83543	2 STAGE FILTER	1
6	3HT727	83251	ASSEMBLY, GREASE FILTER	1
7	6ST728	83007	TRAY, GREASE FILTER	1

# PERFECT FRY HEATER ASSEMBLIES

FIREBAR STYLE

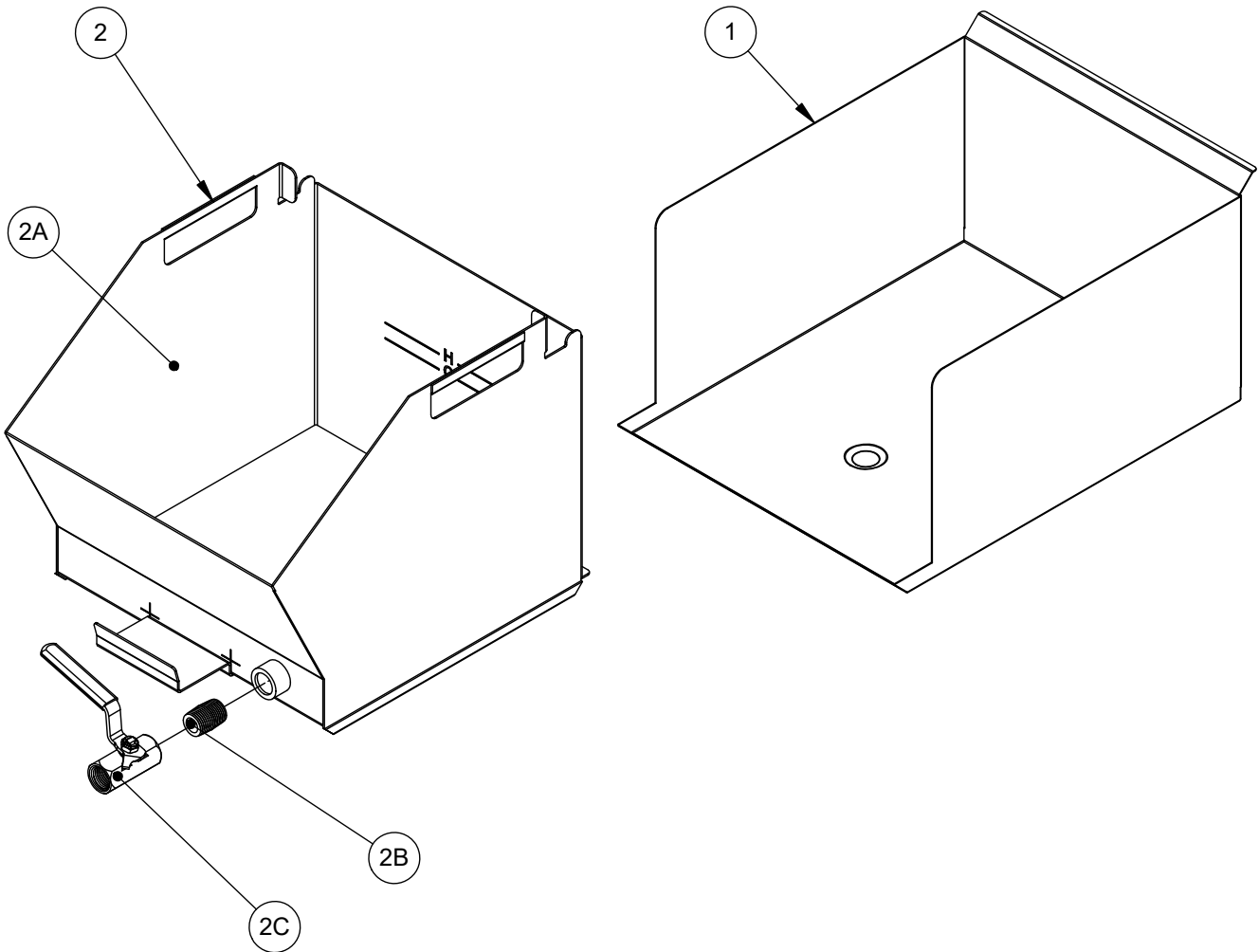


STANDARD



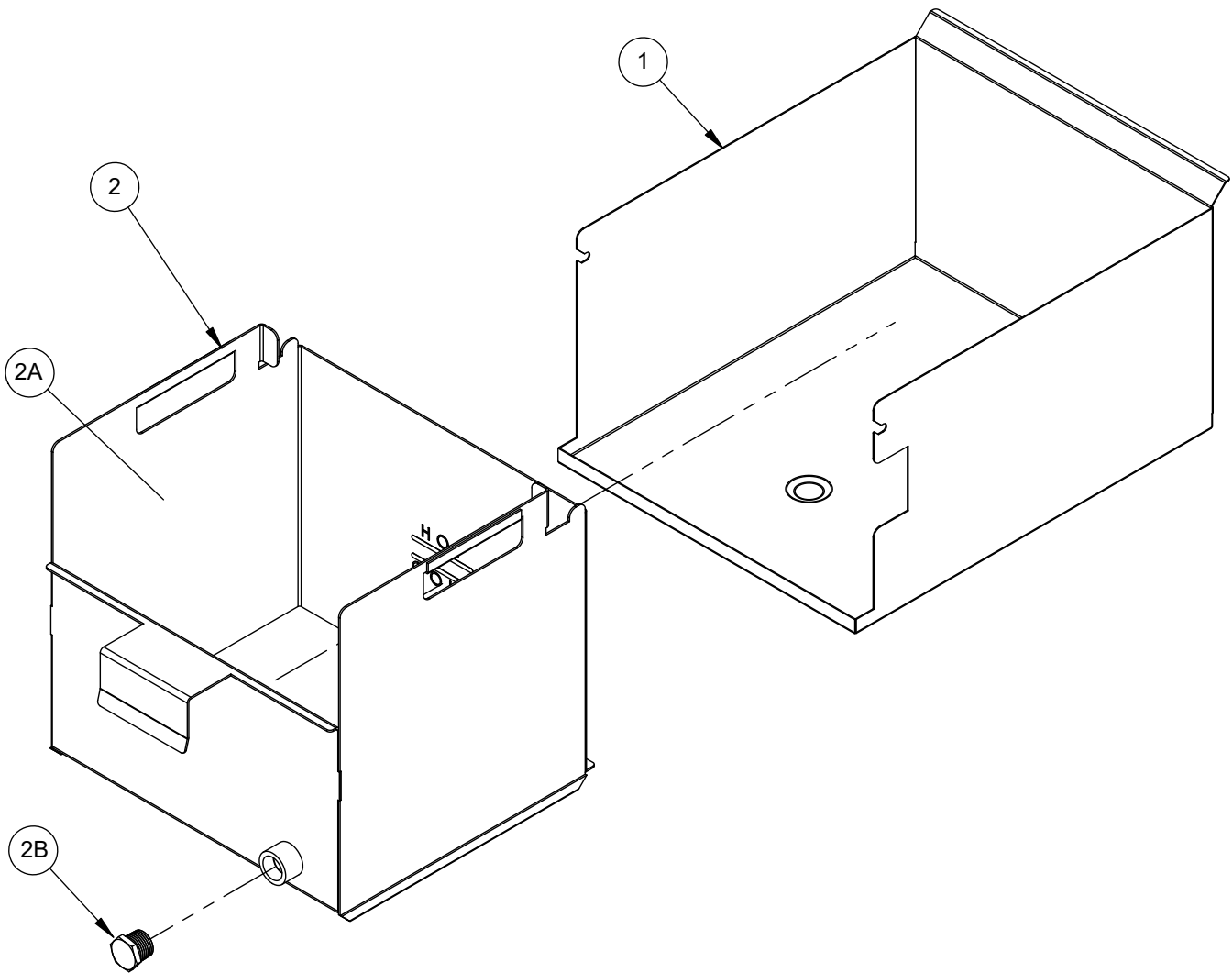
Item	Old P/N	New P/N	Description
<b>STANDARD ELEMENTS</b>			
8ET900		83151	ELEMENT ASSY, 5.7 kW, 240V
2ET922		83152	ELEMENT ASSY, 5.7 kW, 208V
2ET763		83153	ELEMENT ASSY, 3.75 kW, 240V
2ET760		83155	ELEMENT ASSY, 1.875 kW, 120V
2ET762		83420	ELEMENT ASSY, 3.0 kW, 240V
<b>FIREBAR ELEMENTS</b>			
2EA001		83339	ASM ELEMENT FIREBAR 240V 7200W
2EA002		83340	ASM ELEMENT FIREBAR 400V 7200W
2ET002		83341	ASM ELEMENT FIREBAR 400V 5700W

# PFA OIL VAT ASSEMBLY



Item	Old P/N	New P/N	Description	QTY
1	6SA022-C	83182	TRAY, SPILL PFA	1
2	2DT003-C	83256	ASSEMBLY, VAT OIL 11 LITER	1
2A	6SA003-C	83010	VAT, OIL 11 LITER	1
2B	6DT934	83264	NIPPLE, .500 NPT CL SS	1
2C	6DT930	83263	VALVE, OIL MANUAL BALL SS	1
NS	2DT931	83653	KIT, OIL DRAINAGE	OPTION
NS	6HT739	83265	HOSE, OIL DRAINAGE	OPTION

# PFC OIL VAT ASSEMBLY



Item	Old P/N	New P/N	Description	PFC QTY
1	6ST734-C	83198	TRAY, SPILL PFC	1
2	2DT005-C	83273	ASSEMBLY, VAT OIL PFC	1
2A	6ST737-C	83012	VAT, OIL PFC	1
2B	2DT935	52808	PLUG, 1/2" HEX HEAD SS	1
NS	2DT931	83653	KIT, OIL DRAINAGE	OPTION
NS	6HT739	83265	HOSE, OIL DRAINAGE	OPTION