

# Specifications



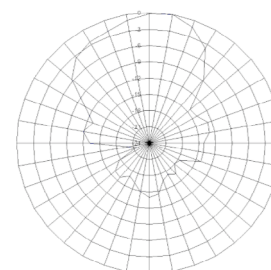
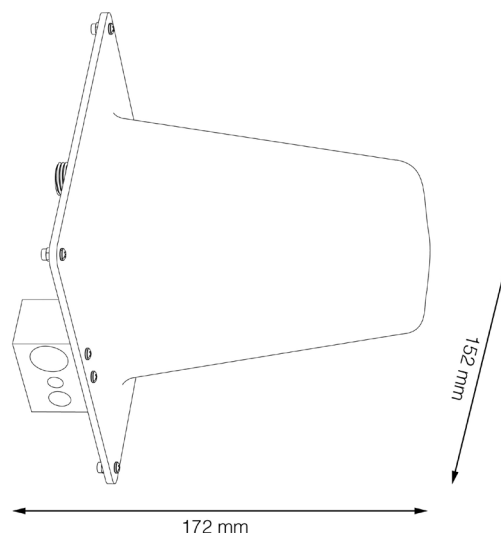
## 2.4 GHz CP BEAM

High Performance 2.4 GHz Helical

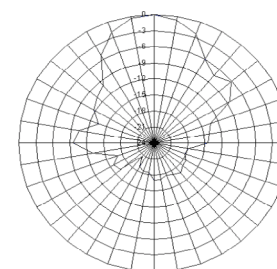
The 2.4 GHz CP Beam Antenna is a circularly polarized beam antenna designed for wireless microphones, intercoms, and other wireless data communication devices operating in the 2.4 GHz ISM band.

With 12 dBd of gain, it significantly increases useable range, indoors or out. The 2.4 GHz CP Beam's circularly polarized element also reduces signal dropouts and improves link quality. The element is protected by a durable ABS enclosure, and includes a mounting block with 1/4-20, 3/8-16, and 5/8-27 threads.

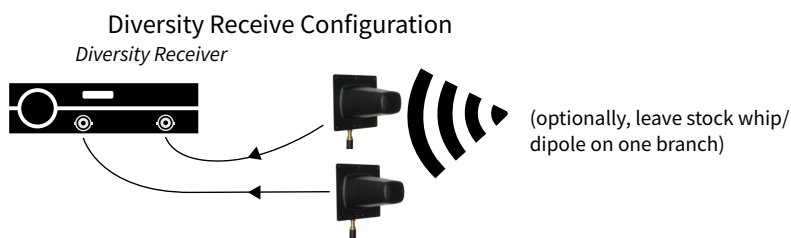
In-line attenuation is significantly higher for remote cable runs at the 2.4 GHz frequency. Low loss coaxial cable is essential for full performance benefits.



Azimuth X



Azimuth Y



<b>Electrical</b>		F/S ratio ..... -17 dBm
Operating frequency .....	2300–2500 MHz	Squint ..... < 5°
Bandwidth.....	200 MHz	
Impedance .....	50Ω	Gain..... 12 dBd
Avg. return loss .....	-14.3 dBm	
Pattern type .....	Beam	<b>Physical</b>
Polarization.....	RHCP	Length..... 203mm
Azimuth X		Height ..... 152mm
Beam width .....	63°	Weight..... 340g
F/B ratio .....	-14 dBm	Mount threads..... 1/4-20, 3/8-16, 5/8-27
F/S ratio .....	-14 dBm	Operating temperature ..... -23°C–54°C
Squint .....	< 5°	Color ..... Black
Azimuth Y		Connector(s)..... N female (BNC supplied)
Beam width .....	45°	
F/B ratio .....	-13 dBm	