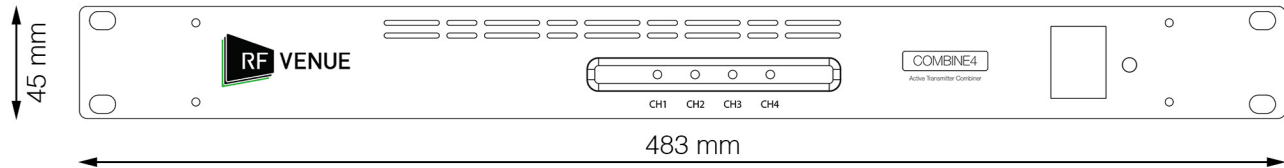


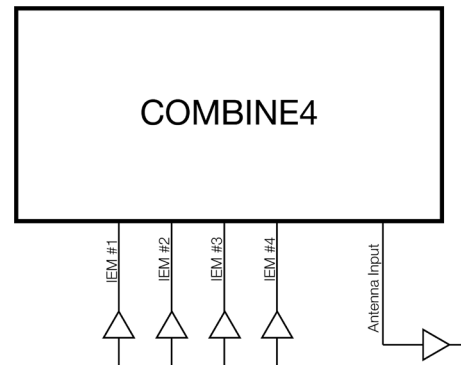
COMBINE4

IEM Transmitter Combiner



The COMBINE4 UHF transmitter combiner actively combines signals from up to four in-ear monitor transmitters into a single transmitting antenna, reducing clutter, signal interference, and lowering the probability of intermodulation artifacts where transmitters are interoperating in close proximity to one another.

COMBINE4 has a maximum input power of 100mW. The CP Beam antenna is a recommended accessory for the COMBINE4 and is available in a bundled package.



Supplied Accessories

BNC jumpers	4X
DC cables	4X
AC cables	1X

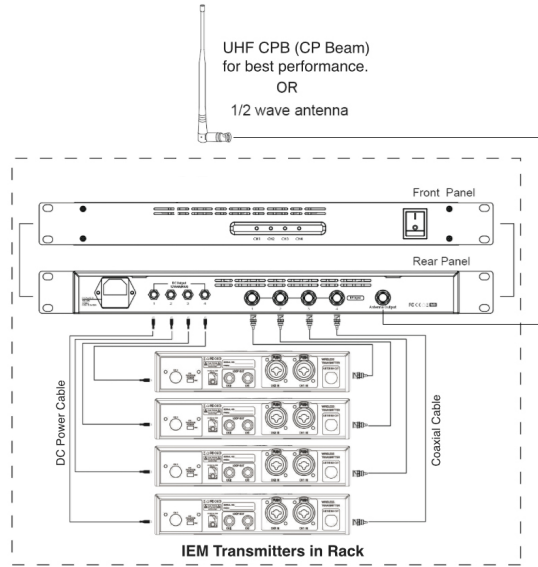
WARNING

- Do not expose this appliance to heat or moisture.
- To avoid shock, do not remove cover. Refer all service to qualified service personnel or distributors.

Specifications

Frequency range	470-960 MHz
Input connectors	4X BNC
Full system gain	0 dB (± 2 dB)
Maximum RF input power	+20 dBm (100 mW)
LED indicator (input signal threshold)	> +5 dBm (Threshold power)
Power consumption	60 W
I / O	4X RF inputs. 1 antenna out. 4 DC outputs.
Input AC voltage	100-240 VAC, 50/60 Hz, Max 2A
Output DC voltage	+12 V. 1 A max (4 outputs total 48 W)
Dimensions	480(W) X 45(H) X 260(D) mm
Weight	2.3 Kgs

Specifications



Typical Four Channel Configuration

