

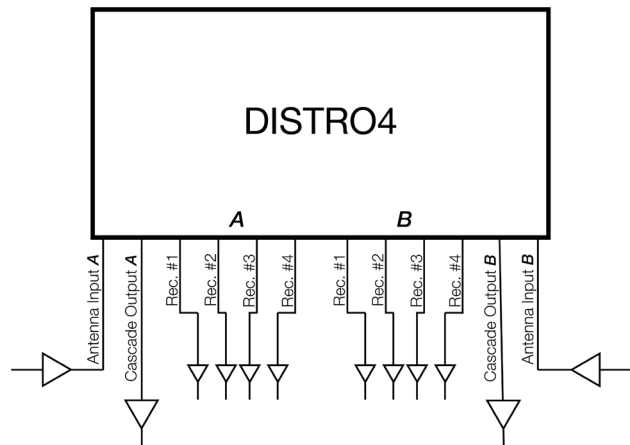
DISTRO4

Antenna Distribution System



DISTRO4 is a broadband UHF antenna distribution amplifier that routes antenna signals from a pair of diversity antennas to several receivers in a multi-channel system. DISTRO4 compensates for signal strength lost in the splitting process with high quality amplifiers. Two or more units may be cascaded together to accommodate more than four receivers with the included cascade port.

DISTRO4 features a 2000 mA internal power supply (no wall wart) and compares to antenna distributors twice its price. For active antennas and in-line amplifiers, DISTRO4 provides an internal switch to apply DC power over coaxial cable to antenna connections. It includes all RF and DC power cables needed to connect a 4 channel wireless microphone system as well as cascade to one additional DISTRO4.



Supplied Accessories

BNC jumpers	10X
DC cables	4X
AC cables	1X

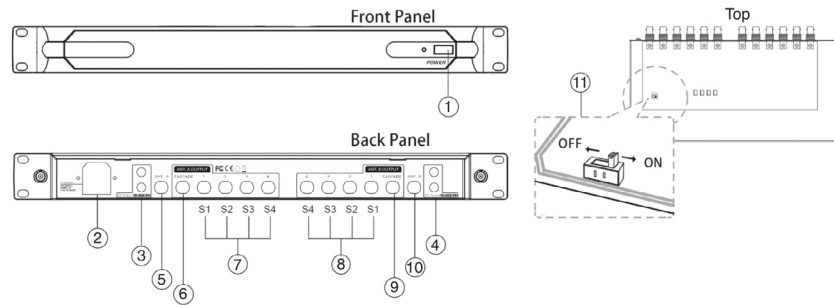
WARNING

- Do not expose this appliance to heat or moisture.
- To avoid shock, do not remove cover. Refer all service to qualified service personnel or distributors.

Specifications

Frequency range	470-952 MHz
RF output level (gain)	3 dB (±2 dB)
Cascade output level	0 dB ~ +2 dB
Output connection isolation	≥ 25 dB
Third order intercept point	24 dBm
Impedance	50Ω
Power consumption	60 W
Input AC voltage	100~240 V switching
DC over coax (to external antennas)	12-14 VDC
Output DC voltage (to receiver jacks)	+12 V \pm 1 A x 4
Dimensions	480(W) X 45(H) X 250(D) mm
Weight	2.15 Kgs

Specifications



- | | |
|---|--|
| <ol style="list-style-type: none"> 1. Power Switch 2. AC input 3. DC output (to receivers) 4. DC output (to receivers) 5. Antenna "A" input 6. Cascade output "A" | <ol style="list-style-type: none"> 7. Antenna "A" output 8. Antenna "B" output 9. Cascade output "B" 10. Antenna "B" input 11. Power Switch Antenna A & B
Keep ON when using 12 V DC over coax (to external antennas) |
|---|--|

